

# NQ70M6650DS

SAMSUNG

## 30" Microwave Combination Wall Oven



### Signature Features

#### Steam Cook (Oven)

- Delivers moisture at precise times for a crisp, browned outside and tender inside.

#### Speed Cook (Microwave)

- Cook food faster and more evenly by using true convection.

#### Dual Convection (Oven)

- Circulates air for faster, even cooking using true convection.

### Available Colors



Stainless Steel (shown)



Black Stainless Steel



Steam Cook



Dual Convection

### Features

- 1.9/5.1 cu. ft. Capacity
- Guiding Light Controls
- Hybrid Clean and Self-Clean (Oven)
- Wi-Fi Connectivity
- Wi-Fi Enabled Temperature Probe (Oven)
- LED Spotlights (Oven)
- Easy View Window
- 3 Heavy-Duty Racks including a Gliding Rack (Oven)

- Ceramic Plate (Microwave)
- Rapid Preheat (Oven)
- Auto Latch Microwave Door
- Broil Element
- Smart Control Key (Oven)
- 6 Rack Positions (Oven)
- Drop-Down Door Design

### Convenience

- Sabbath Mode (Oven)
- Hidden Heating Element (Oven)
- Delay Start (Oven)
- Convection Conversion
- Child Safety Lock
- Proofing (Oven)
- Warming Mode (Oven)
- Kitchen Timer

# NQ70M6650DS

**SAMSUNG**

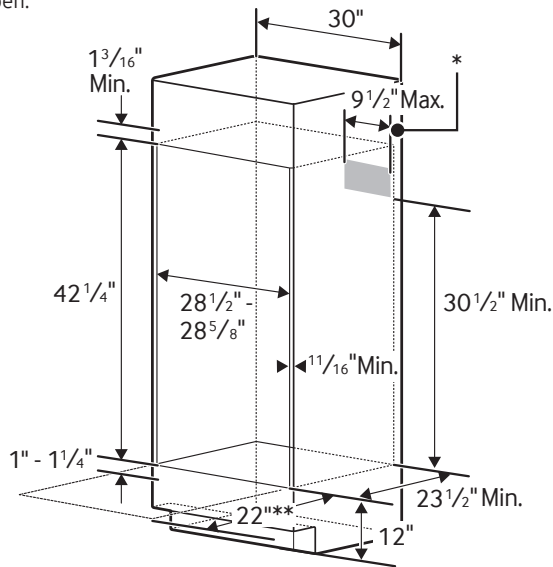
## 30" Microwave Combination Wall Oven

### Cabinet Dimensions

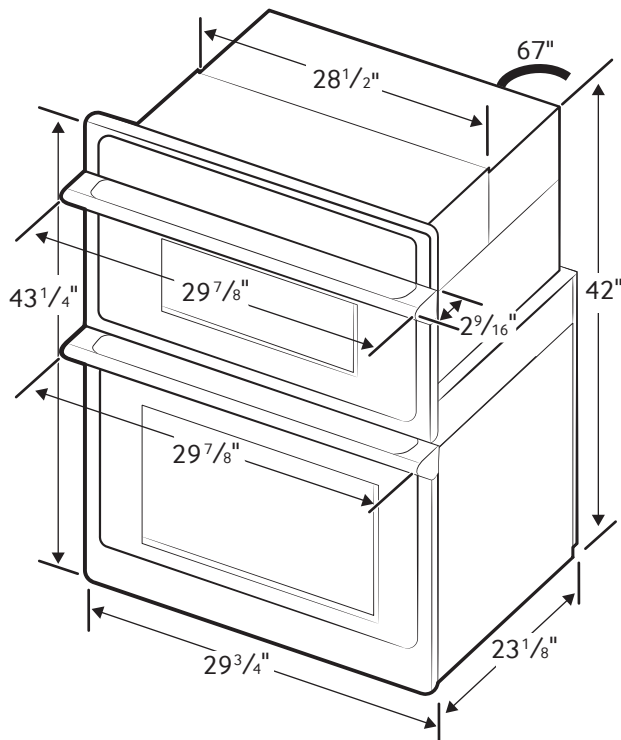
Combination Oven Installed in Cabinet

\* Junction Box

\*\*Allow a minimum of 22" for clearance to adjacent corners, drawers, walls, etc. when door is open.



### Product Dimensions



### Total Capacity: 1.9/5.1 cu. ft.

- Microwave: 1.9 cu. ft.
- Wall Oven: 5.1 cu. ft.
- Hidden Bake Element
- Bake: 175°F–550°F
- Convection Bake: 175°F–550°F
- Convection Roast: 175°F–550°F
- Broil: Low-High
- Steam Bake: 230°F–550°F
- Steam Roast: 230°F–550°F
- Proofing
- Sabbath Mode

### Warranty

One (1) Year All Parts and Labor  
Ten (10) Years Parts Warranty for Magnetron

### Product Dimensions & Weight (WxHxD)

Outside (Max) Combination Oven Dimensions:  
29<sup>7</sup>/<sub>8</sub>" x 43<sup>1</sup>/<sub>4</sub>" x 25<sup>11</sup>/<sub>16</sub>"

Combination Oven Cut-Out Dimensions:  
28<sup>1</sup>/<sub>2</sub>" x 42<sup>1</sup>/<sub>4</sub>" x 23<sup>1</sup>/<sub>2</sub>"

Weight: 262.4 lbs.

### Shipping Dimensions & Weight (WxHxD)

Dimensions:  
33<sup>5</sup>/<sub>8</sub>" x 48<sup>3</sup>/<sub>16</sub>" x 29<sup>51</sup>/<sub>64</sub>"

Weight: 291.1 lbs.

### Color

Stainless Steel

Black Stainless Steel

### Model #

NQ70M6650DS

NQ70M6650DG

### UPC Code

887276195148

887276195124

RATING	
240V	8.2 kW
208V	6.1 kW
BREAKER SIZE	
240V	40 Amps
208V	30 Amps