

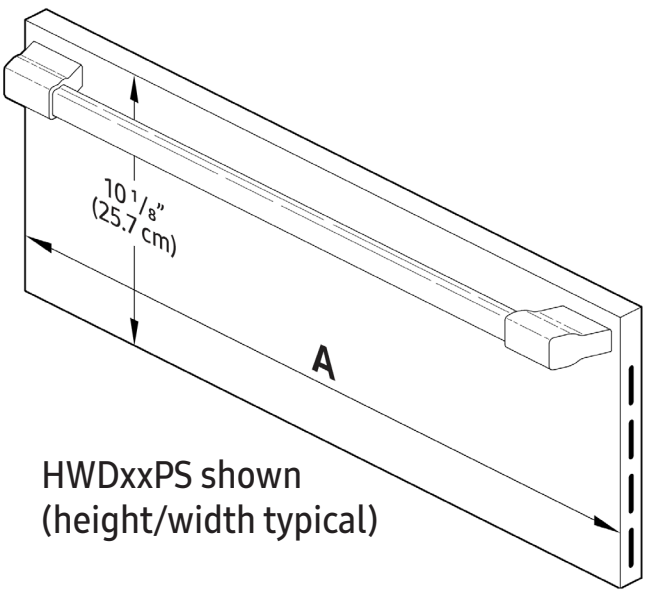


## Heritage® 24", 27", 30" Wide Warming Drawer

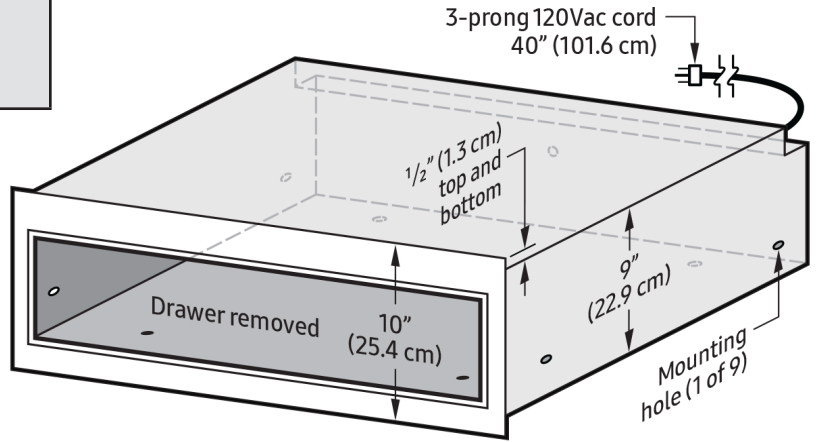
## PLANNING GUIDE

**WARNING**

- Observe all governing codes and ordinances during planning/installation. Contact your local building department for details.
- The drawer must be installed as directed in its installation instructions.

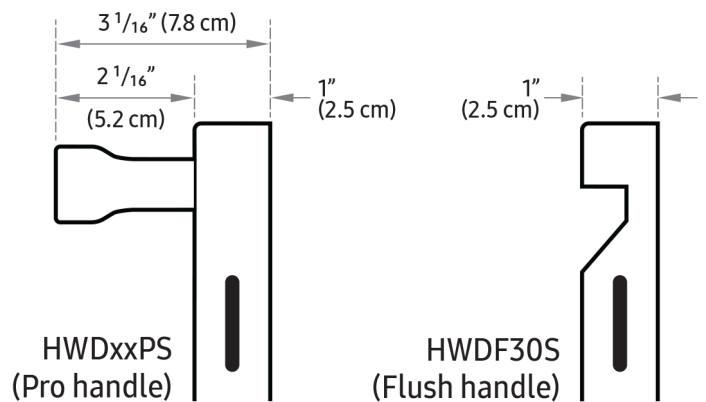


HWDxxPS shown (height/width typical)

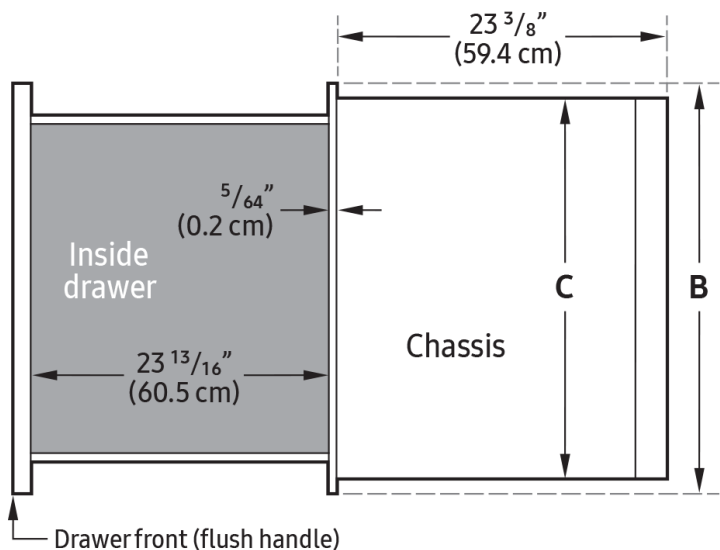


Electrical Circuit Required	Total Connected Load	Min. Ambient Operating Temp.
120Vac, 60 Hz, 15 Amp grounded, dedicated circuit	4.0 Amp. @ 120Vac, 60 Hz	32°F (0°C)

Warming Drawer Overall Dimensions			
Model	(A) Drawer Face Width	(B) Chassis Face Width	(C) Chassis Width
HWD24PS	24" (61.0 cm)	23 5/8" (60.0 cm)	22 1/4" (56.5 cm)
HWD27PS	27" (68.6 cm)	26 5/8" (67.6 cm)	25 1/4" (64.1 cm)
HWD30PS HWDF30S	30" (76.2 cm)	29 5/8" (75.2 cm)	28 1/4" (71.8 cm)



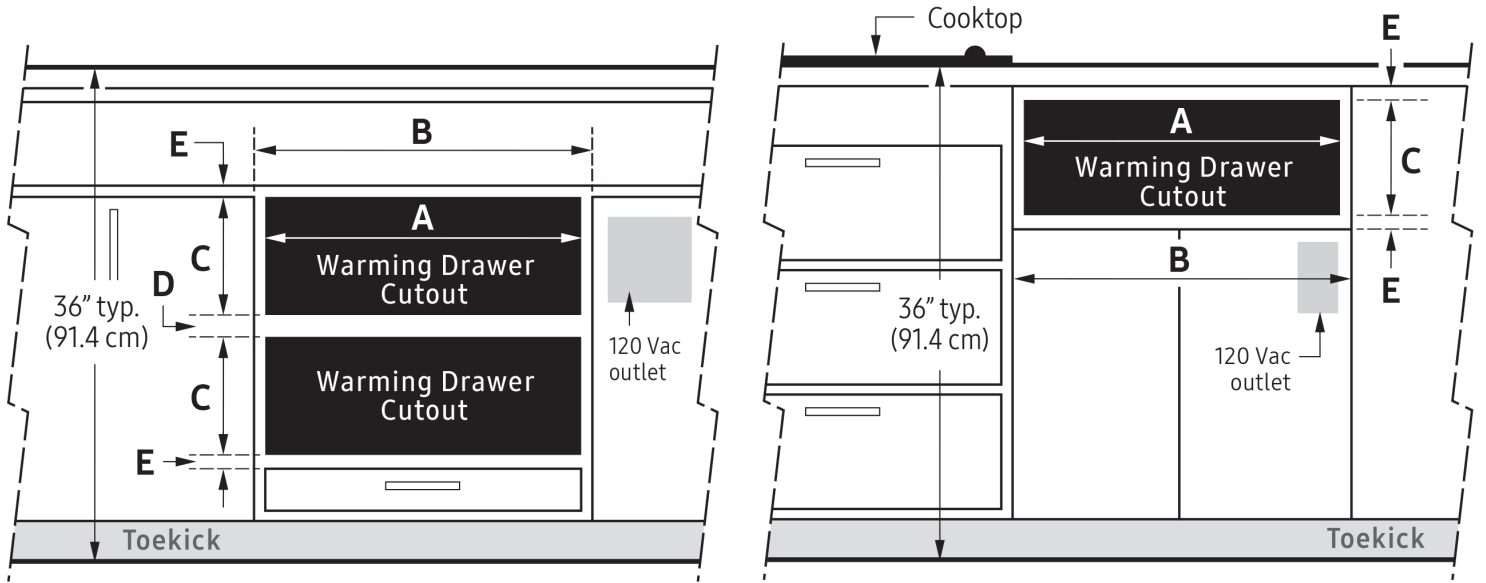
Handle Dimensions



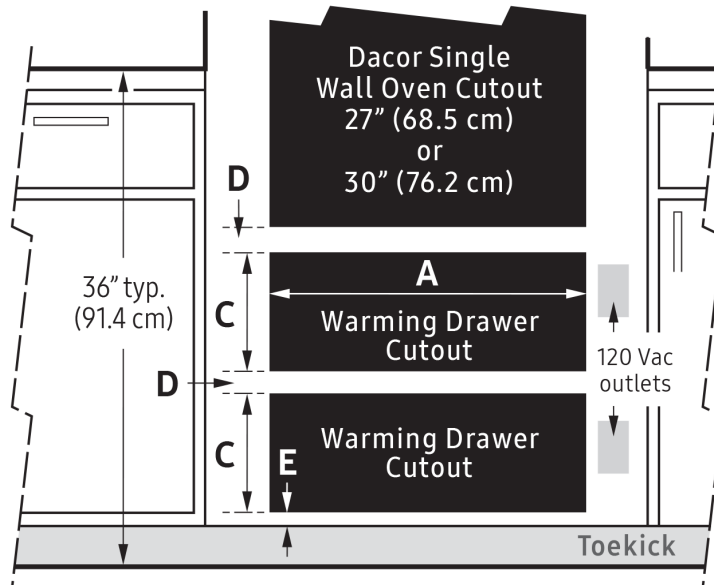


## Heritage® 24", 27", 30" Wide Warming Drawer

## PLANNING GUIDE



Mounting platform must be  $3/4"$  (1.9 cm) thick and able to support 100 lbs. (45.4 kilos)



Model	(A) Cutout Width	(B) Min. Width to Adjacent Doors/Drawers	(C) Cutout Height	(D) Minimum Vertical Gap Between Cutouts	(E) Min. Vertical Gap Betw. Drawer and Cabinet	Minimum Cutout Depth
HWD24PS	22 1/2" (57.2 cm)	24 1/4" (61.6 cm)*	9 1/8" (23.2 cm)	1 1/4" (3.2 cm)	3/4" (1.9 cm)*	24" (61.0 cm)
HWD27PS	25 1/2" (64.8 cm)	27 1/4" (69.2 cm)*				
HWD30PS	28 1/2" (72.4 cm)	30 1/4" (76.8 cm)*				
HWDF30S	28 1/2" (72.4 cm)	30 1/4" (76.8 cm)*				

\*Minimum spacing for ventilation and to avoid scraping.