



## **Instructions: Custom Panel for models SCC30, SCC50 and SCN60**

A custom panel of wood or other material not exceeding 15 lb can be attached to the door. Attachment is from the ice side of the door. Holes are provided in the door for this purpose.

To create and attach a custom panel:

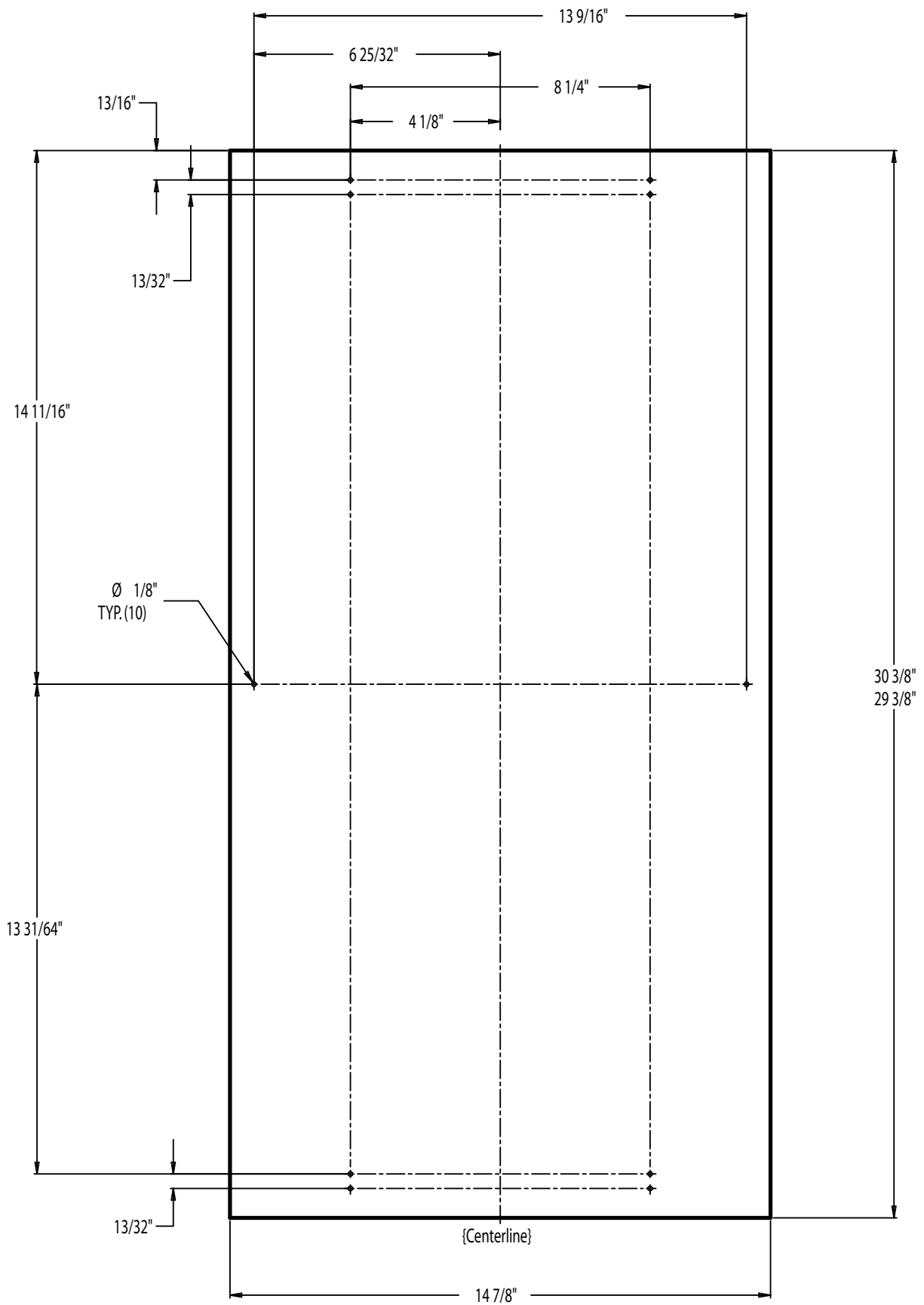
- Panel width: 14 7/8"
- Panel height: Between 29 3/8" and 30 3/8".
- Panel thickness: 5/8" to 3/4"

1. Measure overall height of cabinet opening where ice machine will be (floor to bottom of countertop edge).
2. Determine desired kickplate space (from bottom of door to floor). This could be equal to the adjacent cabinet's kickplate space or another space the user wants.
3. Subtract kickplate space from cabinet opening.
4. Subtract 1/8 or more for clearance space between top of door and bottom of countertop edge from cabinet opening. This is the maximum door length.
5. Cut panel to width.
6. Cut panel to length (cabinet space - kickplate space - top clearance = length).
7. Determine top of panel.
8. Mark hole locations using drawing on the back of these instructions. Drawing assumes top of panel will be flush with top of door. Measure hole locations from the top of the panel.
9. Drill pilot holes for wood screws. Use drill stop to prevent drilling through the panel.
10. Mount panel to door using wood screws or supplied panel mounting screws.

---

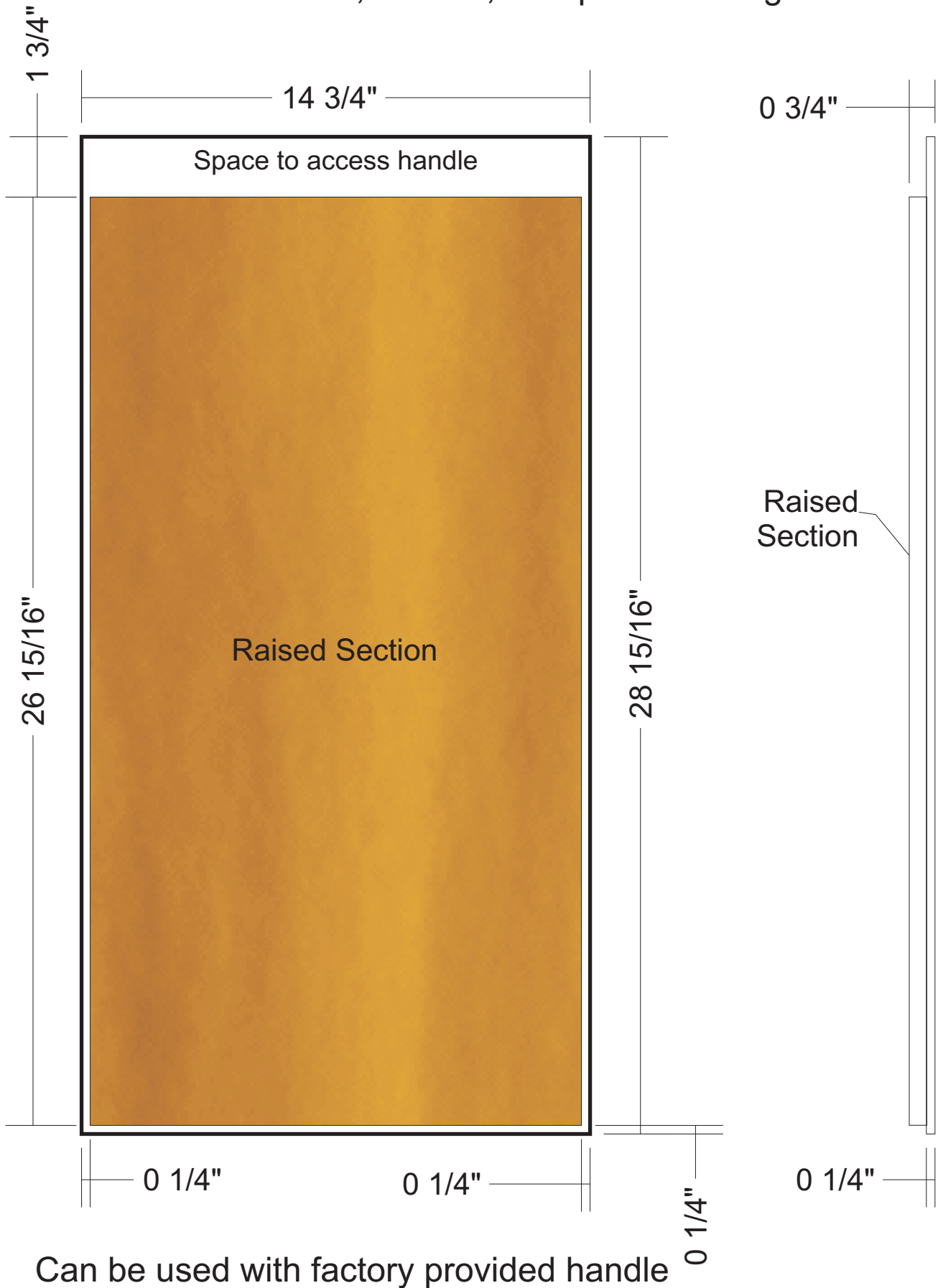
**Note: When installed Ice machine must be adjusted for height to position top of door to desired clearance.**

---



# Custom Door Panel Dimensions

## Scotsman DC33, DCE33, Companion Refrigerator



Can be used with factory provided handle

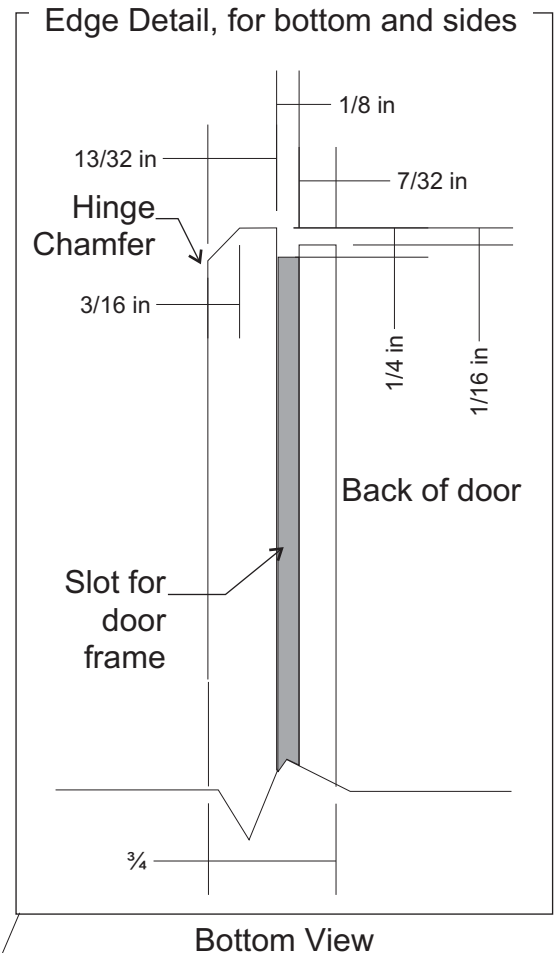
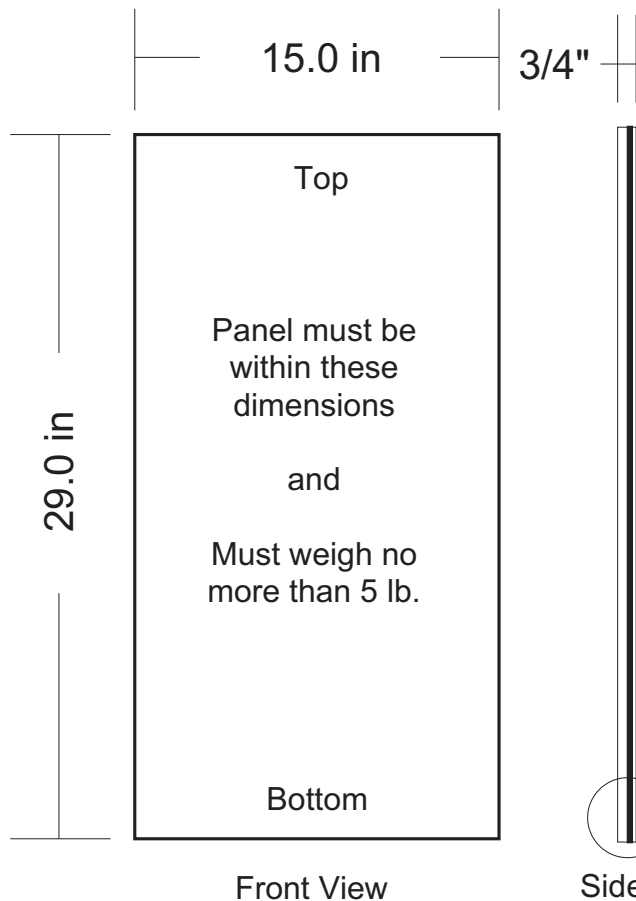
## Scotsman Custom Overlay Panel Spec

Use to make a drop in door panel that covers the door and the front of its aluminum edge. Add the KHAND to cover the top edge and a cabinet pull that matches the pulls at the installation to better blend in with the existing cabinetry.

Cut the filler panel to the dimensions shown. Apply the edge detail to the bottom, left and right sides.

The following directions are for a 3/4" x 15"w x 29"h panel door blank:

1. From the back side of the door cut a 1/16"w x 11/32" h rabbet on both sides and the bottom edge of the panel.
2. Set the saw blade to 1/4" height and cut groove in the edge of the door 7/32 from the back of the door.
3. On the hinge side of the door cut a 45 degree chamfer on the top with either a saw or a router.



**Custom Cabinet Door Insert for Models DCE33 or Companion Refrigerator (Black or White Only)**

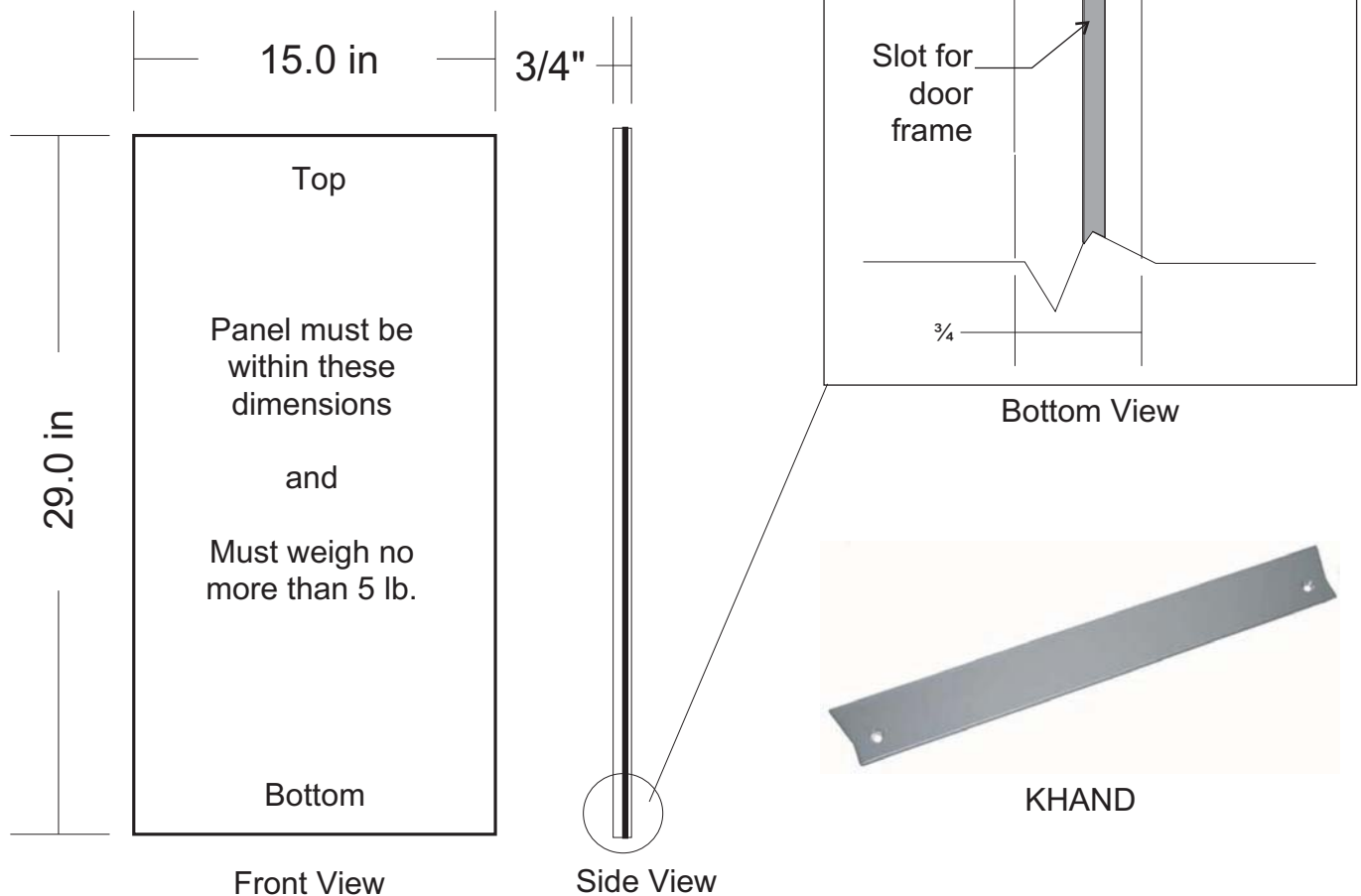
## Scotsman Custom Overlay Panel Spec

Use to make a drop in door panel that covers the door and the front of its aluminum edge. Add the KHAND to cover the top edge and a cabinet pull that matches the pulls at the installation to better blend in with the existing cabinetry.

Cut the filler panel to the dimensions shown. Apply the edge detail to the bottom, left and right sides.

The following directions are for a 3/4" x 15"w x 29"h panel door blank:

1. From the back side of the door cut a 1/16"w x 11/32" h rabbet on both sides and the bottom edge of the panel.
2. Set the saw blade to 1/4" height and cut groove in the edge of the door 7/32 from the back of the door.
3. On the hinge side of the door cut a 45 degree chamfer on the top with either a saw or a router.



**Custom Cabinet Door Insert for Models DCE33 or Companion Refrigerator (Black or White Only)**