

ASSEMBLY INSTRUCTION
COASTER FINE FURNITURE



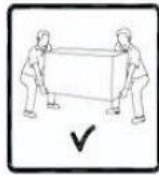
www.coastercompany.com

ASSEMBLY TIPS:

- 1.Remove hardware from box and sort by size.
- 2.Please check to see that all hardware and parts are present prior to start of assembly.
- 3.Please follow attached instructions in the same sequence as numbered to assure fast& easy assembly.

warning

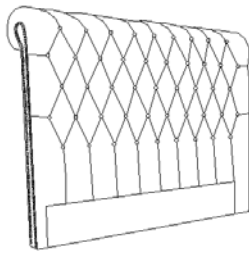
- 1.Don't attempt to repair or modify parts that are broken or defective please contact the store immediately.
- 2.This product is for home use only and not intended for commercial establishment.



ASSEMBLY TIME PER UNIT:	10 MINUTES
-------------------------	------------

PARTS IDENTIFICATION

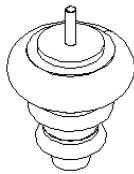
A



Headboard

1PC

B



Wood legs

2 PCS

HARDWARE PACKAGE

1

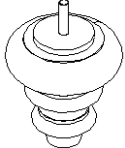






Allen wrench







5*23*73mm 1 PC

All above hardware pack is located in 300525Q B1

PARTS IDENTIFICATION

B		WOOD LEGS	2 PCS
C		BED RAILS	2 PCS
D		FOOTBOARD	1 PC
E		SLATS	4 PCS
F		SLAT SUPPORTS	4 PCS

HARDWARE PACKAGE

	DESCRIPTION	FIGURE	Q'TY
1	Allen wrench 5*23*73mm		1 PC
2	Headboard corner bracket-Right (facing)		2 PCS
3	Headboard corner bracket-Left (facing)		2 PCS
4	Flat washer		20 PCS
5	Short bolt		20 PCS
6	Wood screw		8 PCS

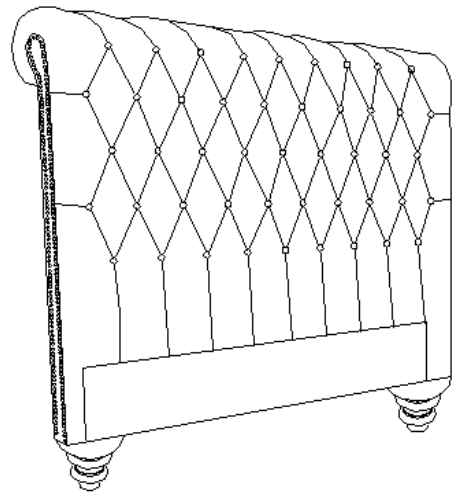
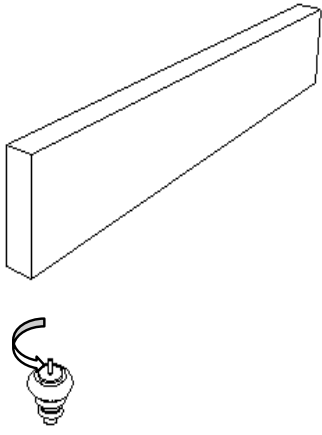
All above hardware pack is located in 300525Q B2

COASTER®

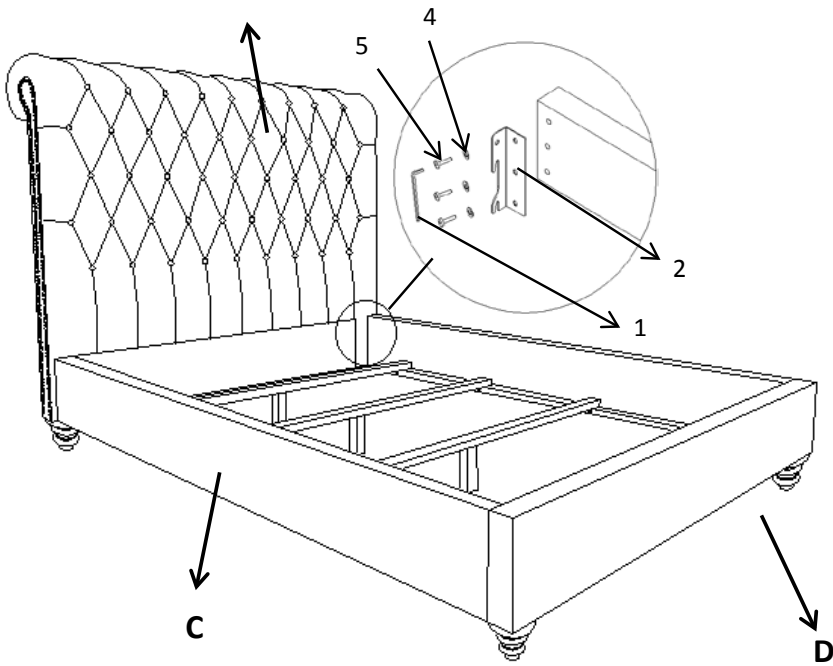
Fine Furniture

www.coastercompany.com

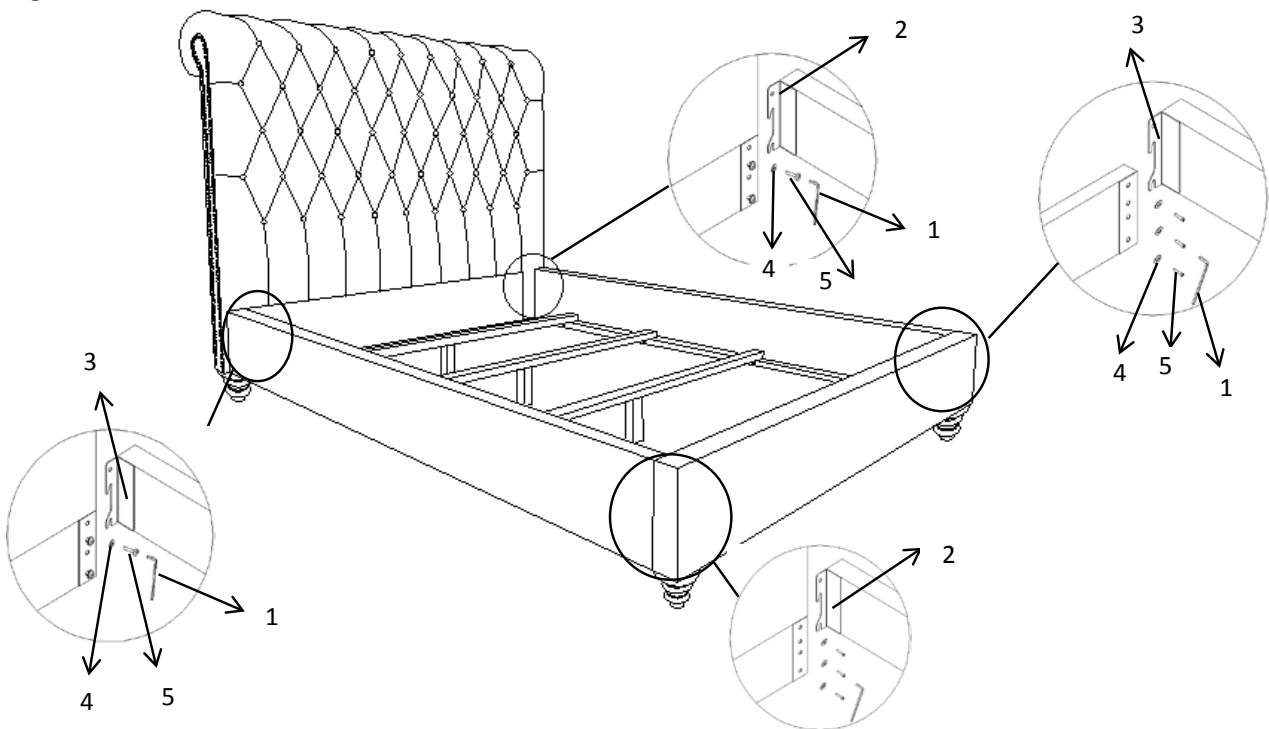
STEP 1



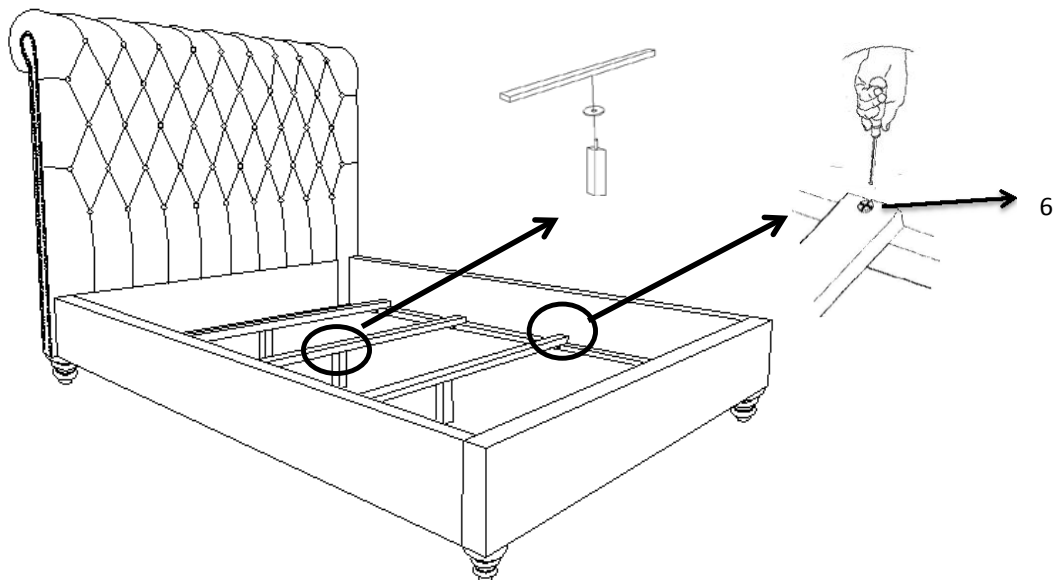
STEP 2



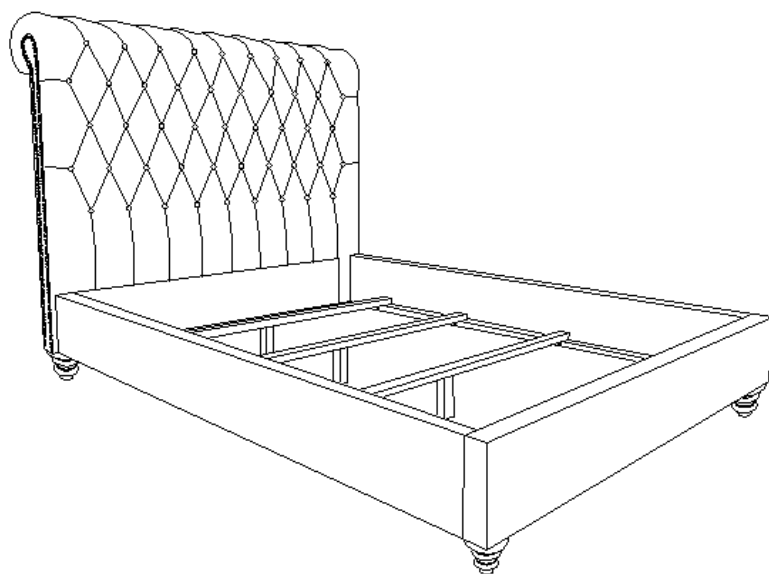
STEP 3



STEP 4



STEP 5



COASTER
Fine Furniture

www.coastercompany.com