

COASTER[®]
FINE FURNITURE

190821

DINING TABLE

ASSEMBLY INSTRUCTIONS
COASTER FINE FURNITURE



www.coastercompany.com

REVISION 0 : 05/30/2018

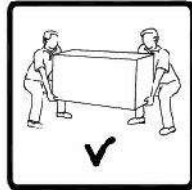
ASSEMBLY TIPS:

1. Remove hardware from box and sort by size.
2. Please check to see that all hardware and parts are present prior to start of assembly.
3. Please follow attached instructions in the same sequence as numbered to assure fast & easy assembly.



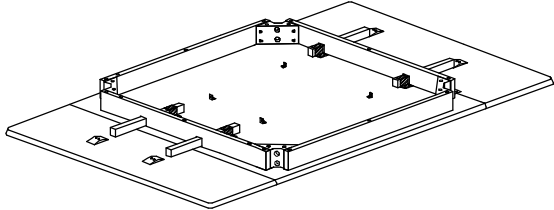
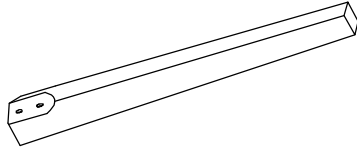
Warning!

1. Don't attempt to repair or modify parts that are broken or defective. Please contact the store immediately.
2. This product is for home use only and not intended for commercial establishments.




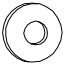


ASSEMBLY TIME	15 MINUTES
----------------------	-------------------

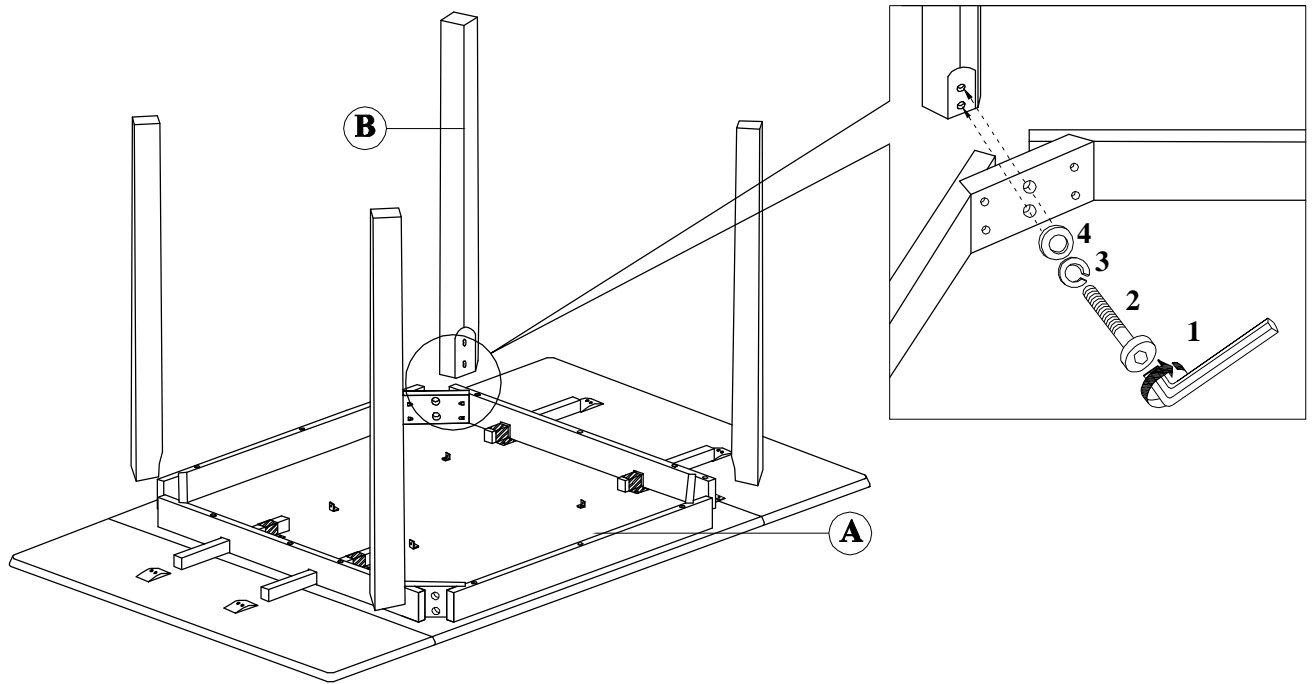
PARTS IDENTIFICATION

	PART NAME	FIGURE	QTY
A	TOP		1PC
B	LEG		4PCS

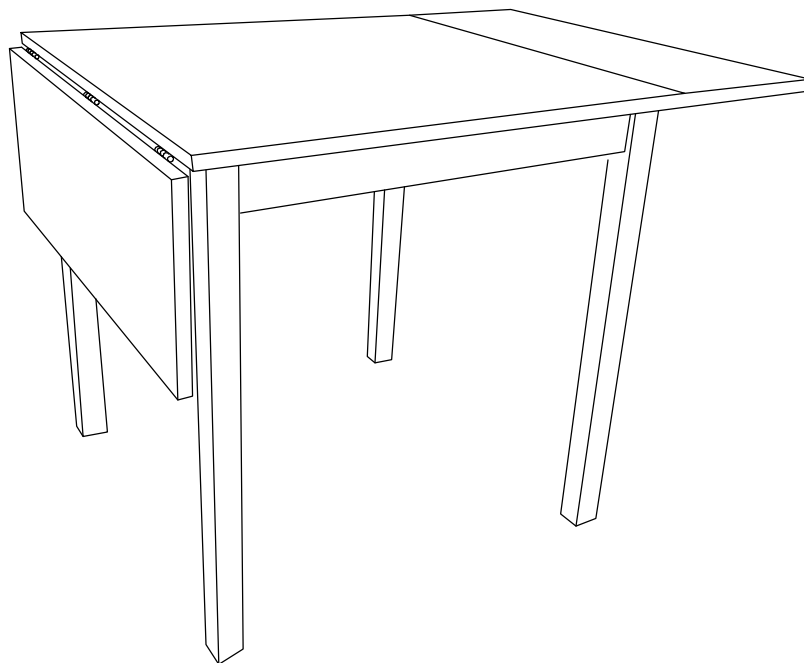
HARDWARE IDENTIFICATION

	HARDWARE NAME	FIGURE	QTY
1	ALLEN WRENCH (M4 x 63MM - BLK)		1PC
2	BOLT (M6 x 60MM - RBW)		8PCS
3	LOCK WASHER (1/4" - BLK)		8PCS
4	FLAT WASHER (5/16" - RBW)		8PCS

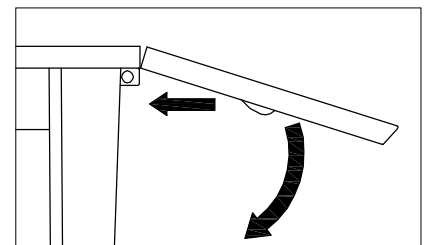
STEP 1



STEP 2



PUSH IN THE WOOD RUNNER TO FOLD DOWN THE LEAF.



PULL OUT THE WOOD RUNNER TO HOLD THE LEAF IN PLACE.

