

BERTAZZONI MASTER SERIES

30 CONVECTION SELF-CLEAN SINGLE OVEN

MASFS30XV

HIGHLIGHTS

- Bertazzoni ovens use stainless steel metal knobs to select cooking modes and temperature, while the intuitive interface lets users program time and other functions.
- Two large-blade fans positioned on the diagonal axis and subsidiary air vents at the top and bottom of the oven cavity provide balanced airflow and even heat distribution.
- All Bertazzoni ovens install flush with the cabinet doors and integrate seamlessly with specialty ovens and warming drawers in both vertical and horizontal combinations.

FEATURES

| | |
|------------------------|--------------------------------|
| Oven type | electric convection self-clean |
| Oven broiler type | electric |
| Oven controls | LED touch interface |
| Inner oven door | quadruple glass |
| Door Hinge | soft motion |
| Oven handle | solid metal |
| Oven door finishing | stainless steel |
| Convection System | dual diagonal |
| Oven levels | 7 |
| Wire shelves | 2 heavy gauge |
| Tray | 1 baking tray |
| Grill trivet for Trays | yes |

TECHNICAL SPECIFICATIONS

| | |
|-----------------------------|----------------------------------|
| Voltage, frequency | 120/208 Vac - 120/240 Vac, 60 Hz |
| Oven volume | 4.1ft ³ |
| Max Amp usage, power rating | 30 A - 5500 W |
| Certification | CSA |
| Warranty | 2 years parts and labor |

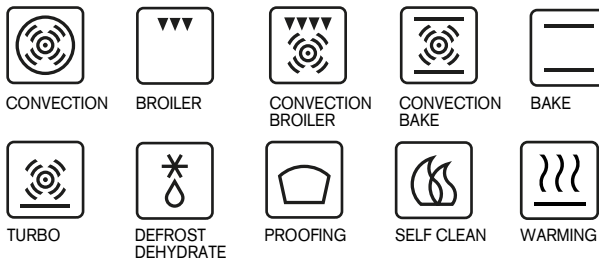
ACCESSORIES

| | |
|---------------------------|---------|
| 30 Telescopic Slide Shelf | code TG |
|---------------------------|---------|



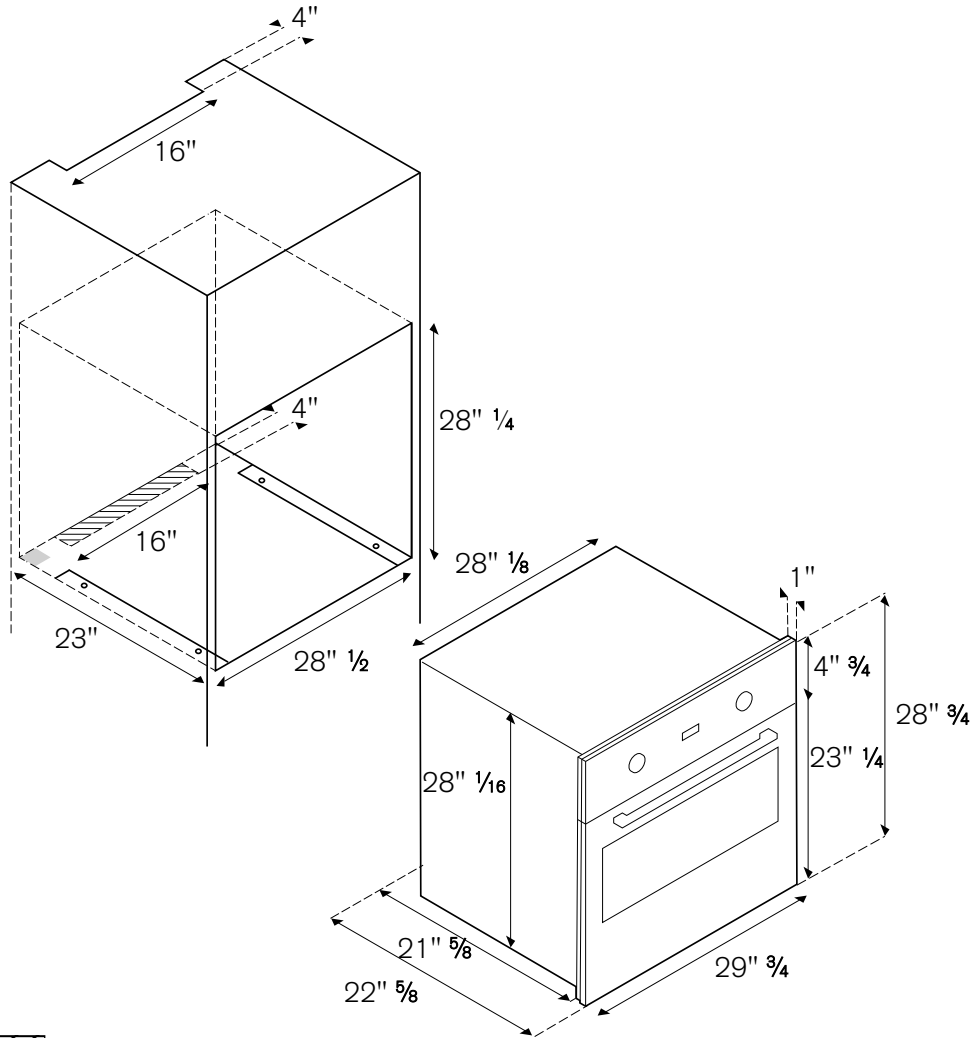
TO COOK BEAUTIFULLY
WWW.BERTAZZONI.COM



FUNCTIONS



INSTALLATION INSTRUCTIONS

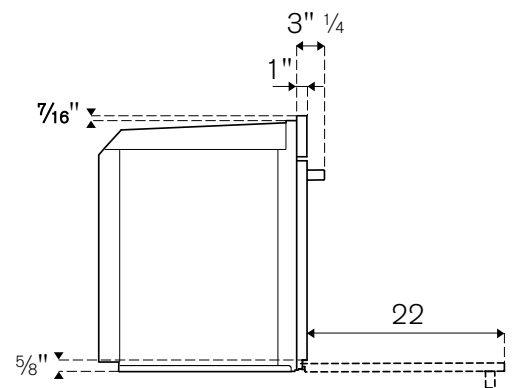
MASFS30XV



-  Air intake opening clearance
-  Cut out for power cord

The minimum gap between the kitchen cabinet upper or lower panel and the appliance is 1/8. This dimension must be added to the height listed in the drawings

For any combinations of built-in models, please see related installation drawings



Bertazzoni recommends to operate the appliance after it has been installed in a cabinet. The kitchen cabinets shall be made of materials capable of withstanding temperatures at least 117°F (65°C) above room temperature in order to avoid possible damage to the cabinets during oven usage. The appliance must be installed into cabinetry and be supported from underneath. The air intake opening at the bottom of the door must be left unobstructed. For a flush mount installation the surrounding cabinets doors should have the same thickness as the oven control panel. For installation of the oven in

column please refer to the drawings view of model MO 30 STANE. For under counter installation refer to the cooktop or rangetop installation drawing in the specific sections of this document.

Disclaimer: while every effort has been made to insure the accuracy of the information contained in this brochure, Fratelli Bertazzoni reserves the right to change any part of the information at any time without notice.

Fratelli Bertazzoni, Bertazzoni and the winged wheel brand icon are registered trademarks of Bertazzoni Spa.

WWW.BERTAZZONI.COM