

FRIGIDAIRE

Factory Parts Catalog



Product No.	FFBC4622QS1
Series	Frigidaire
Market	North America
Color	glass/steel
Volts	115
Owner's Guide	242103101

Frigidaire

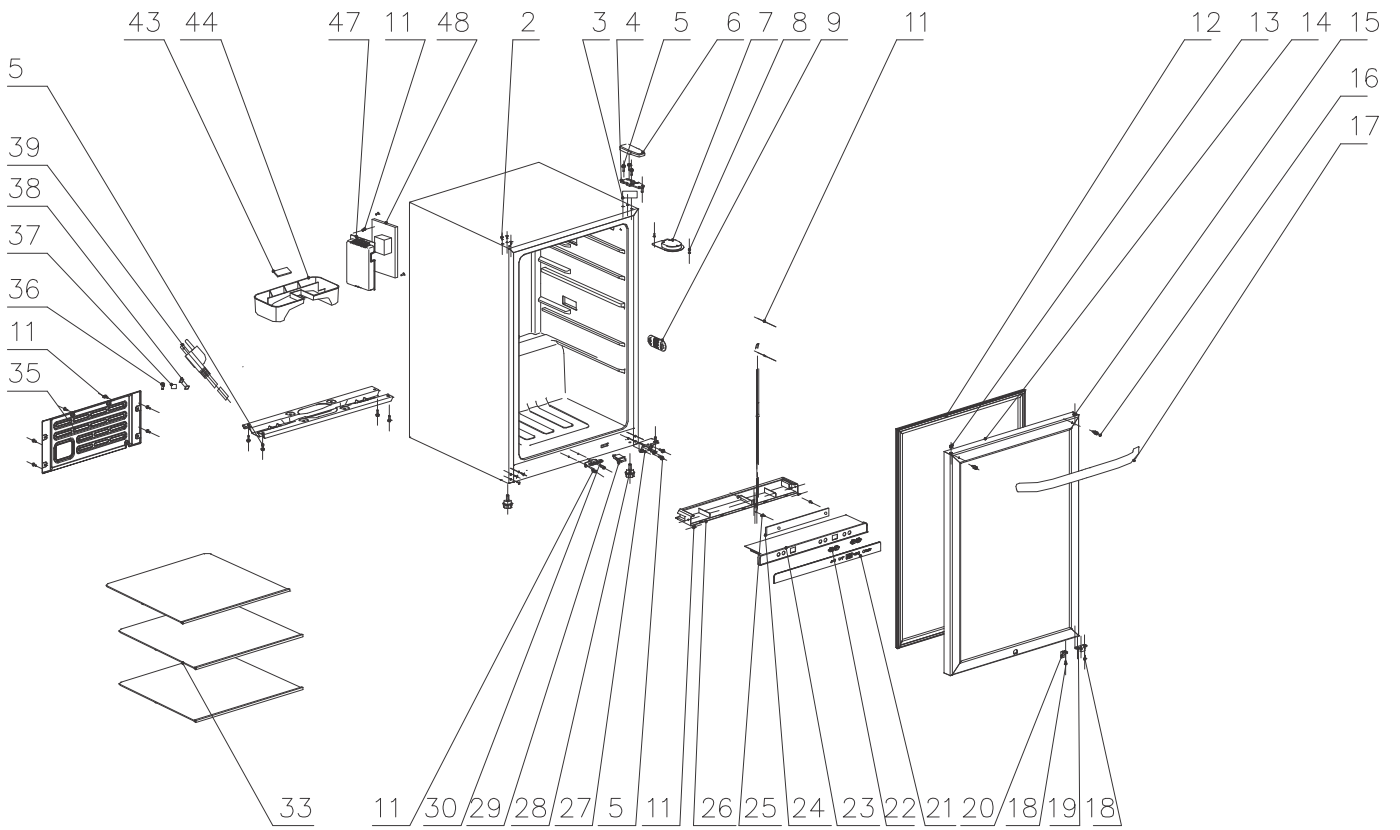
P.O. BOX 8020
CHARLOTTE, NC 28262

WINE COOLER

Model No.
FFBC4622Q

Publication No.
5995705182
18/07/16
(EN/SERVICE/ECL)
099

RECOMMENDED SPARES



FFBC4622QS-Spares

RECOMMENDED SPARES

POS. NO	PART NO.	DESCRIPTION
2	5304479779	Plug, hinge hole, cabinet
3	5304479780	Washer, top hinge
4	5304479781	Hinge, top
5	5304480019	Screw, hinge, (6)
6	5304479782	Cover, top hinge
7 #	5304479803	Lamp Assembly, LED
8	5304479804	Screw, tapping, stainless steel
9	5304479805	Cover, temp sensor
9* #	5304479971	Thermistor, temp sensor
11	5304479807	Screw, tapping, stainless steel
12 #	5304479808	Gasket, door
13	5304479809	Plug, door hole
14	5304479830	Door Assembly, glass/steel
15	5304479789	Bushing, hinge
16	5304479811	Screw, shoulder, door handle
17	5304479812	Handle Assembly, door
18	5304479813	Screw, tapping, door
19	5304479790	Stop, door
20	5304479791	Bracket, door switch
21	5304479831	Control Panel, console
22	5304479936	Push Button
23	5304479815	Overlay, control board, cover
24 #	5304507016	PC Board, input, display
25	5304479817	Screw, tapping, (2)
26	5304479818	Base, display board
27	5304479792	Hinge, bottom
28	5304479819	Foot, leveling screw, cabinet
29 #	5304479794	Switch, lamp/light
30	5304479795	Latch, door
33	5304479833	Shelf, glass
35	5304479822	Cover, access, rear
36	5304480022	Screw, tapping
37	5304479823	Clamp, strain relief, power cord
38	5304479838	Sleeve, power cord
39 #	5304479824	Power Cord, electric
43	5304479828	Pad, thermal mastic
44	5304479799	Tray, drip pan
47	5304479835	Cover, control box
48 #	5304507015	PC Board, power/main
*	5304485424	Key, door lock

WIRING DIAGRAM

