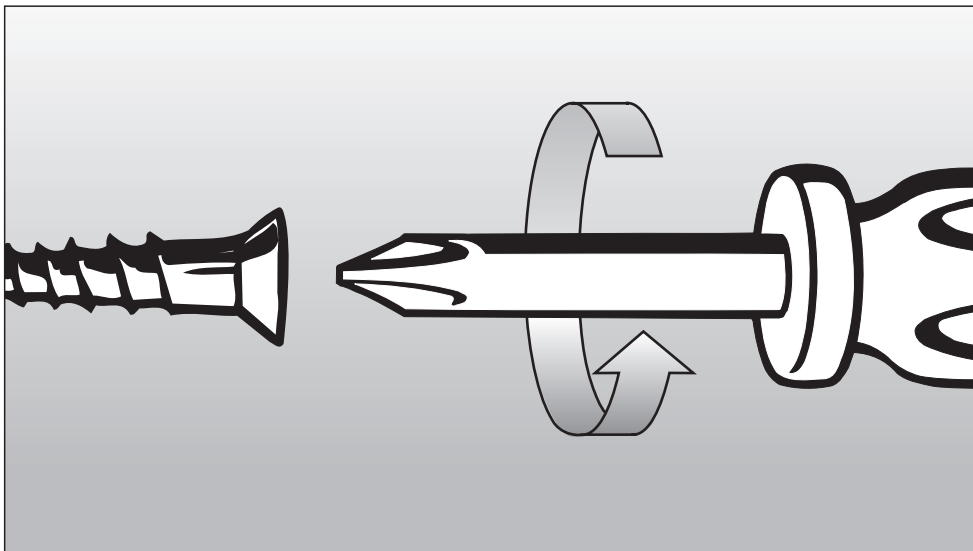


## Installation Instructions



## Gas Cooktop KM 360



To prevent accidents and machine damage, read these instructions **before** installation or use.



---

**WARNING:**

**If the information in this manual is not followed exactly, a fire or explosion may result causing property damage, personal injury or death.**

- **Do not store or use gasoline or other flammable vapors and liquids in the vicinity of this or any other appliance.**
- **WHAT TO DO IF YOU SMELL GAS**
  - **Do not try to light any appliance.**
  - **Do not touch any electrical switch.**
  - **Do not use any phone in your building.**
  - **Immediately call your gas supplier from a neighbor's phone. Follow the gas supplier's instructions.**
  - **If you cannot reach your gas supplier, call the fire department.**
- **Installation and service must be performed by a qualified installer, service agency or the gas supplier.**  
**(In Massachusetts a licensed plumber / gas fitter)**
- **Note to the installer:**  
**Please leave this instruction book with the consumer for the local electrical / gas inspector's use.**

<b>IMPORTANT SAFETY INSTRUCTIONS</b> .....	4
<b>Appliance dimensions</b> .....	6
<b>Installation</b> .....	7
Setting the cooktop into place .....	7
Securing the cooktop .....	7
<b>Electrical connection</b> .....	8
<b>Gas connection</b> .....	9
Gas pressure regulator .....	10
<b>Converting to another type of gas</b> .....	12

# IMPORTANT SAFETY INSTRUCTIONS

## Installation

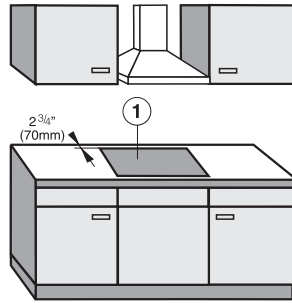
The minimum distances given in these Installation instructions are to combustible surfaces, and must be observed to ensure safe operation. Failure to do so increases the risk of fire.

The cabinetry and venting hood should be installed first to prevent damage to the cooktop.

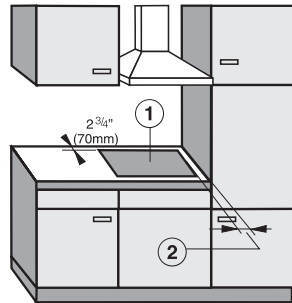
- Gas appliances should only be installed in a well ventilated area.
- The countertop must be bonded with heat resistant (212 °F/100 °C) adhesive to prevent distortion or dissolving.
- The cooktop should only be installed as shown in the illustrations while maintaining the required safety distances shown. Do not install the cooktop between two tall cabinets, this is a fire hazard.

① = indicates cooktop cut-out  
② = minimum distance between cut-out and a tall cabinet:  
12" (305 mm)

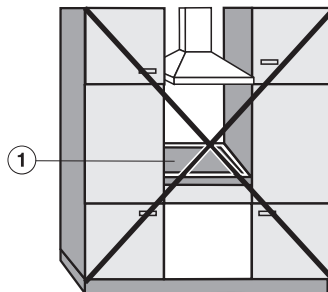
■ This appliance has not been designed for maritime use or for use in mobile installations such as recreational vehicles or aircraft. However, under certain conditions it may be possible for installation in these applications. Please contact the Miele Technical Service Department with specific requirements.



**recommended**



**not recommended**



**not allowed**

# IMPORTANT SAFETY INSTRUCTIONS

The cooktop must not be installed over a dishwasher, washer, dryer, refrigerator or freezer. Heat radiated by the cooktop may damage the appliances.

Deep fat fryers must not be installed next to gas cooktops. Gas flames can ignite splattering oil. A distance of at least 12" (305 mm) should be maintained between these two appliances. The minimum distance between two cooktops must be 4" (100 mm).

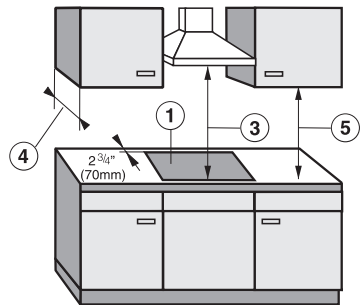
Install the appliance so that the power cord or gas piping does not come into contact with any portion of the cooktop which may become hot during use.

This appliance must be installed with its own shut off valve and the included gas pressure regulator. Both the valve and the regulator must be easily accessible to the consumer after the appliance is installed.

This appliance must be disconnected from the gas supply during any pressure testing of the system performed in excess of  $\frac{1}{2}$  psi (3.5 kPa). This appliance must be isolated at test pressures equal to or less than  $\frac{1}{2}$  psi (3.5 kPa).

Any pipe connections must be made using a thread sealant approved for gas connections. Failure to correctly install these items could lead to a gas leak and subsequent explosion.

## Safety distances above the appliance



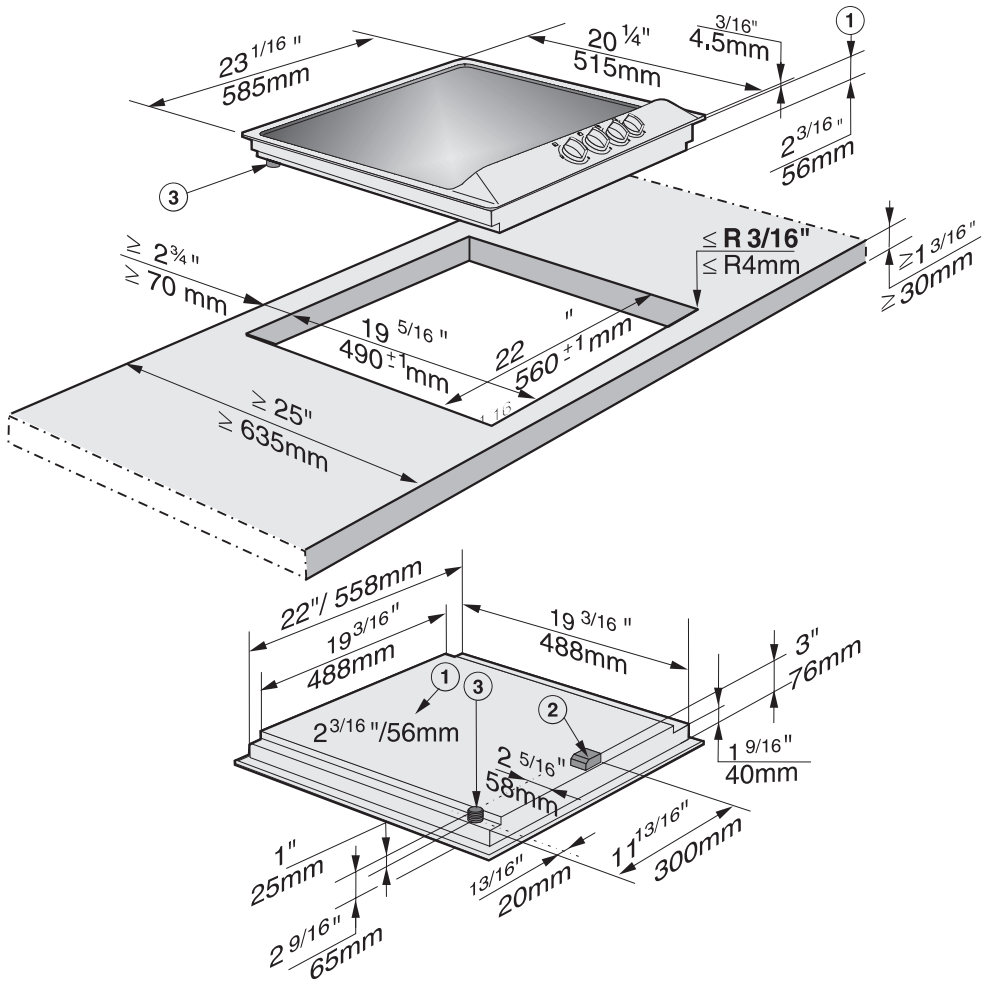
There must be a safety distance of at least 30" (760 mm), ③, between the appliance and any objects above it. The overhead cabinet depth, ④, if unprotected, must not exceed 13" (330 mm). The minimum distance of combustible surfaces located above and to the sides of the cooktop, ⑤, is 18" (457 mm).

If the cabinet manufacturer recommends a greater distance, follow that manufacturer's recommendation.

When installing the cooktop under a venting hood, always observe the minimum distance recommended by the hood manufacturer.

**Keep this instruction book in a safe place for reference and pass it on to any future user.**

# Appliance dimensions



- ① Built in depth
- ② Electrical connection box
- ③ Gas connection R 1/2" NPT

■ Remember to maintain the minimum safety distances to combustible surfaces:

- 2 3/4" (70 mm) between the cut-out and the back wall and
- 12" (305 mm) between the cut-out and a side wall or tall unit to the right or left of the cut-out.

(See "Important Safety instructions").

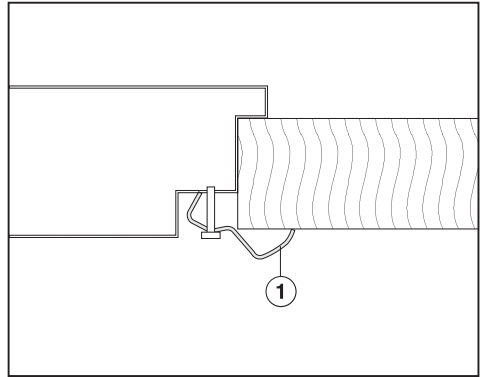
## Setting the cooktop into place

- Screw the gas regulator onto the nipple underneath the cooktop. For convenience, an AGA or CGA approved flexible stainless steel gas hose (accordion type) may be used between the gas connection and the regulator. For more information see "Gas connection - Gas pressure regulator".

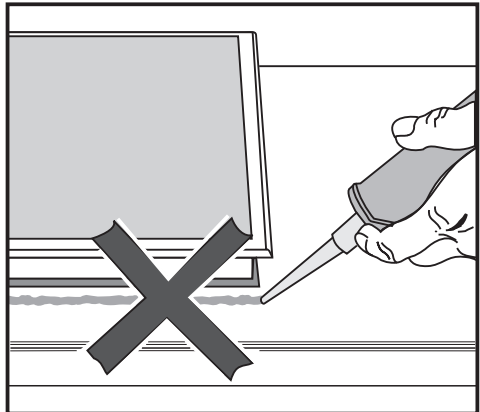
The included gas regulator **must** be installed between the cooktop and the gas shut off valve. If clearance for the regulator does not exist directly under the cooktop, it may be moved closer to the shut off valve.

- Guide the power cord through the cut-out.
- Set the cooktop in the cut-out and center it.

## Securing the cooktop



- Secure the cooktop in position with the supplied fixing brackets, ①.



The cooktop must not be permanently sealed into the countertop when installed. The sealing strip under the edge of the cooktop provides a sufficient seal for the countertop.

If the cooktop is sealed into position, the countertop or appliance may be damaged if the cooktop needs to be removed for maintenance or service.

# Electrical connection

---

This appliance must be electrically grounded. All electrical work should be performed by a qualified electrician in accordance with local or national codes and the:

- National Electrical Code ANSI / NFPA No. 70 for the USA
- or
- Canadian Electrical Code Part I for Canada (CSA Standard C 22.2 No. O-M91).

## WARNING

Disconnect the appliance from the main power supply before installation or service. To reduce the risk of electric shock, make sure that the appliance is properly grounded after installation.

This appliance is equipped with a three-prong grounding plug to prevent shock hazards. It should be plugged directly into a properly grounded outlet. Do not cut or remove the grounding prong from the plug. If the plug does not fit the outlet, have a proper outlet installed by a licensed electrician.

To guarantee the electrical safety of this appliance, continuity must exist between the appliance and an effective grounding system. It is imperative that this basic safety requirement be met. If there is any doubt, have the electrical system of the house checked by a qualified electrician.

The manufacturer cannot be held responsible for damages caused by the lack, or inadequacy, of an effective grounding system.

## Power supply

The automatic ignition requires that the cooktop be connected to a 120 VAC, 60 Hz power supply. The supply line should be protected by a 15 A breaker.

Actual power consumption (during ignition only) is 25 W.

This appliance is equipped with a 4 ft. (1.2 m) long power cord that is ready for connection to the appropriate outlet.

Please place the power outlet so that it is accessible after the appliance has been installed in the countertop.

## Note to the installer

Please leave these instructions with the consumer or the appliance.



Installation and service must be performed by a qualified installer, service agency or the gas supplier.

In Massachusetts a licensed plumber/gas fitter is required.

This appliance must be installed with its own shut off valve and the included gas pressure regulator. Both the valve and the regulator must be easily accessible to the consumer to turn on or shut off the gas supply after the appliance is installed.

This appliance and its individual shut off valve must be disconnected from the gas supply during any pressure testing of the system performed in excess of  $\frac{1}{2}$  psi (3.5 kPa). The machine must be isolated from the gas supply line by closing its individual manual shut off valve at test pressures equal to or less than  $\frac{1}{2}$  psi (3.5 kPa).

Any pipe connections must be made using a thread sealant approved for gas connections. Failure to correctly install these items could lead to a gas leak and subsequent explosion.

The gas connection must be made in accordance with local codes or in the absence of local codes with:

- the National Fuel Gas Code, ANSI Z 21.1 for the USA
- or
- the current Can / CGA Interim #58-M95 and .2 Installation Codes for gas burning appliances for Canada.

Make sure that the **maximum gas supply pressure**, before the gas pressure regulator, is never more than  $\frac{1}{2}$  psi (3.5 kPa) for natural gas or LP gas.

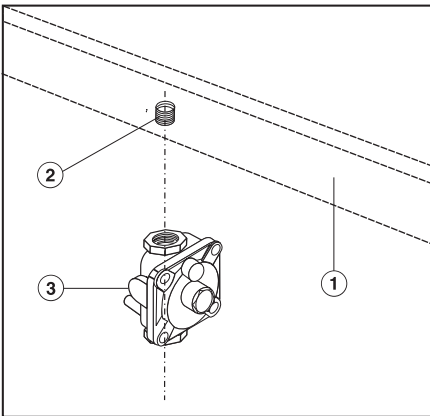
The **minimum supply pressure** to get the required gas input is  
6" w.c. for natural gas  
10" w.c. for LP gas.

# Gas connection

## Gas pressure regulator

A pressure regulator that is convertible from natural to LP gas (Propane) or vice versa is included with the appliance. The included regulator corresponds with the gas type of the cooktop. Verify before installing.

The adjusted pressure is:  
natural gas - 4" w.c.  
LP gas - 10" w.c.



- ① Cooktop
- ② ½" NPT
- ③ Regulator

As shown in the above diagram, the included regulator **must** be used when connecting the Miele cooktop to your gas supply. This item has been customized by Miele to meet all applicable safety requirements. Make sure the regulator is easily accessible for adjustment after the appliance has been installed.

For convenience, an AGA or CGA approved flexible stainless steel gas hose (accordion type) may be used between the gas connection and the regulator. This will allow the appliance to be lifted out of the countertop for cleaning or servicing. Make sure that any drawers, cabinet doors, etc., do not rub on this gas hose.

Do not use any regulator unless it has been supplied by Miele. Doing so may cause a gas leak.

If there is any doubt concerning installation contact the Miele Technical Service Department:

**(USA)** 1-800-999-1360  
techserv@mieleusa.com

**(CDN)** 1-800-565-6435  
service@miele.ca

**After connecting the appliance check all fittings for gas leaks e.g. with soapy water.**

When installed properly, the flame will be steady and quiet. It will also have a sharp, blue inner core that will vary in length proportional to the burner size. Flame adjustment will not be necessary.

## Nominal Rating Table

	NG (Natural gas) LP (Liquid propane gas)	
<b>Auxiliary burner</b>	<b>BTU/hr</b>	<b>kW</b>
Max. output	3400	1.0
Min. output	900	0.26
<b>Normal burner</b>		
Max. output	6000	1.76
Min. output	1200	0.35
<b>Fast burner</b>		
Max. output	10200	3.0
Min. output	1700	0.5
<b>All burners</b>		
Max. output	25600	7.5

## Converting to another type of gas

---

The cooktop should have been ordered for connection to either natural gas or LP gas (propane).

If the cooktop is not configured for the proper type of gas connection please contact your Miele Dealer.

If the appliance is to be connected to a type of gas other than it was originally configured for, both the regulator and burners must be converted. A conversion kit is available as an optional accessory from the Miele Technical Service Department.







When contacting the Technical Service,  
please quote the model and serial number  
of your appliance.

---



**Miele, Inc.** (USA)

**National Headquarters**

9 Independence Way  
Princeton, NJ 08540  
Phone: 800-843-7231  
609-419-9898  
Fax: 609-419-4298  
[www.miele.com](http://www.miele.com)

**Technical Service & Support  
Nationwide**

Phone: 800-999-1360  
Fax: 888-586-8056

**Miele Limited** (CDN)

**Headquarters and Showroom**

161 Four Valley Drive  
Vaughan, ON L4K 4V8  
Phone: 800-643-5381  
905-660-9936  
Fax: 905-532-2290  
[www.miele.ca](http://www.miele.ca)  
[info@miele.ca](mailto:info@miele.ca) (general enquiries)  
[professional@miele.ca](mailto:professional@miele.ca) (commercial enquiries)

**MieleCare National Service**

Phone: 800-565-6435  
905-532-2272  
Fax: 905-532-2292  
[service@miele.ca](mailto:service@miele.ca) (technical enquiries)