



STU8647X

classic

24" Pre-Finished Dishwasher with Finger Print Proof Stainless Steel, Maxi-Height Door and Professional Handle

EAN13: 8017709237158

Full-size tub

Hidden electronic control panel

Self-balancing door

Hinges: Self balancing

Adjustable feet: 7cm, from 860 to 930 mm

5 wash cycles including crystal washing + 5 quick programmes

Soak, Crystal, Daily, Quick 27 min, ECO Quick, Delicate and Quick, Normal Quick,

Stainless steel tub and filter

Concealed heating element

1/2 load FlexiZone option (varied distribution)

Quick Time option

Flexi tabs option

Delay timer option: up to 24 hours, with automatic soak

5 temperatures: 100°F, 113°F, 122°F, 149°F, 158°F

Salt and rinse aid refill indicators

Orbital Wash System

Complete Water Leak Protection System

Total "AquaStop" Water Protection System

Water softener with electronic setting

Turbidity sensor Aquatest

13 place settings

Gray baskets

Wirehandle

Third upper basket for cutlery: FlexiDuo

Upper Basket: With central fixed racks

Height adjustment of the upper basket: On three horizontal levels

Largest loadable dish upper basket: 23,5 cm

Lower Basket: With single foldable rack

Largest loadable dish lower basket: 35 cm

Display: Delayed start, Programme time indicator, Time to end indication

Noise level: 47dB (A)

Energy Star-rated

Height leveling legs

Voltage rating: 120V - 60Hz

Nominal power: 13Amps - 1800W

Voltage 110-120V: Frequency 60Hz.

Water usage: normal/short cycle: 3.17/ 2.38 gal



Functions



**SMEG U.S.A. INC.
A&D BUILDING
150 EAST 58th STREET, 7th FLOOR
NEW YORK, NY, 10155
Tel. +1 212 265 5378
Fax +1 212 265 5945**



STU8647X

classic

built-in
24"

antifingerprint st/steel
orbital



Energy Star and ISO14001 Certified:

The Smeg production process is carefully managed in order to keep the impact upon the environment as low as possible. The process is checked and certified by Independent International bodies IQNET and CISQ (Smeg complies with the standard ISO14001). All Smeg dishwashers are ENERGY STAR qualified. Energy efficiency is important to Smeg and our technicians are constantly working to keep the energy, and water, consumption of each dishwasher as low as possible. ENERGY STAR certified products use less water than conventional dishwashers, and approximately 40% less energy than the federal minimum standard for energy consumption. By choosing an ENERGY STAR certified product you are helping to preserve the environment without compromising on product quality or performance.



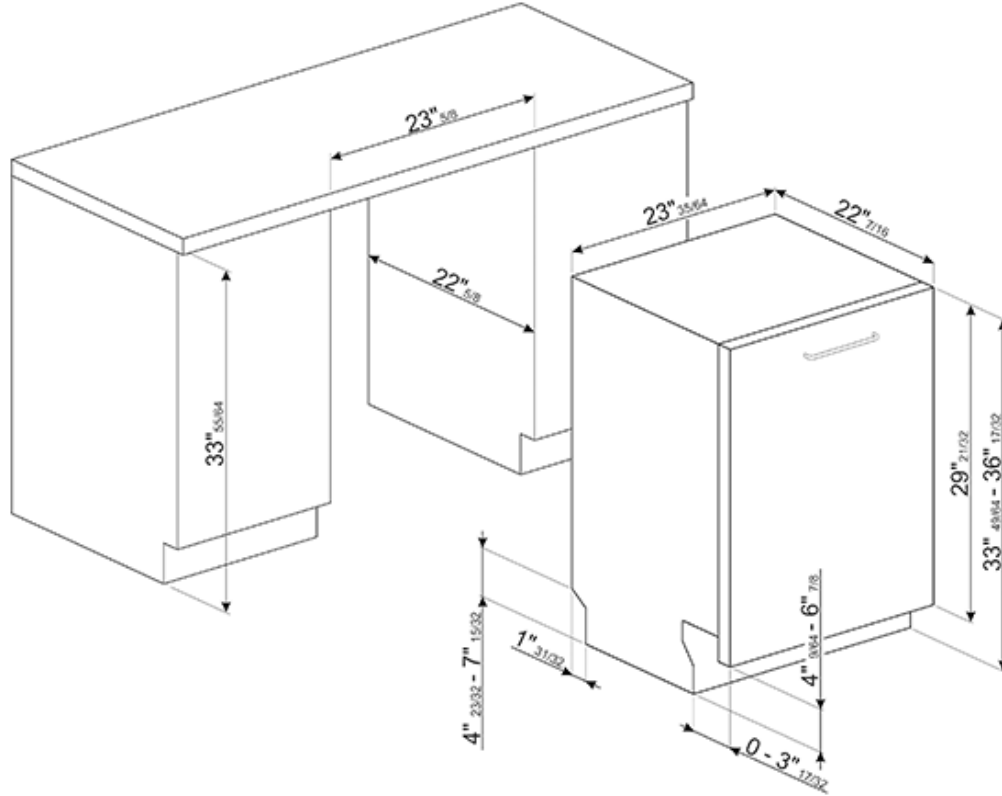
**SMEG U.S.A. INC.
A&D BUILDING
150 EAST 58th STREET, 7th FLOOR
NEW YORK, NY, 10155
Tel. +1 212 265 5378
Fax +1 212 265 5945**



STU8647X

classic

built-in
24"
antifingerprint st/steel
orbital



SMEG U.S.A. INC.
A&D BUILDING
150 EAST 58th STREET, 7th FLOOR
NEW YORK, NY, 10155
Tel. +1 212 265 5378
Fax +1 212 265 5945