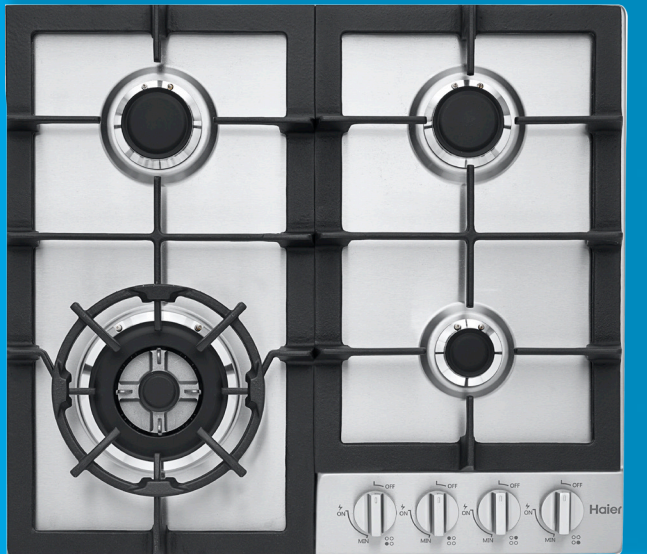


24" Gas Cooktop

HCC2230AGS



Signature Features

Stainless Steel Finish

Features a clean, modern aesthetic that elevates any kitchen

Triple Ring Burner

Delivers intense heat for high output cooking performance

Heavy Duty Continuous Cast Iron Grates

Allow easy movement of cookware while providing even heat distribution with better heat retention

Heavy Duty Metal Knobs

Combine high-end appearance and simple functionality

Available

Unit Specifications

Width	22 13/16"
Depth	20"
Height	3 3/8"
Weight	25 lb.
UPC	688057374079

More Easy-To-Use Features

- Brass Burners
- Electronic Ignition
- Conversion Kit Included
- Two Semi-Rapid Burner
- One Auxiliary Burner
- Wok Ring Included
- Four Sealed Burners

Front Left Burner:

- Max. 15,300 BTU/h

Rear Left Burner

- Max. 6,800 BTU/h

Rear Right Burner

- Max. 5,800 BTU/h

Front Right Burner

- Max. 3,400 BTU/h

Warranty

- 2 Year Warranty (Parts and Labor)

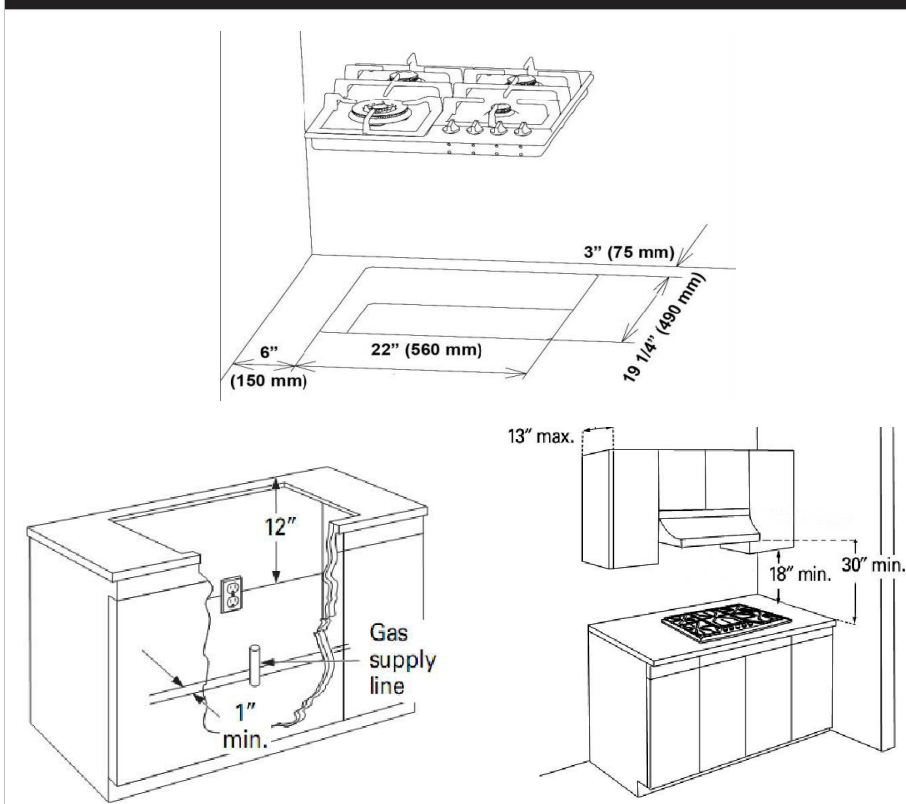
Available Finishes



Stainless Steel

Cutout Dimension		in.
Cutout Width		22"
Cutout Depth		19 1/4"
Distance from front of cabinet to cooktop		Min. 18"
Distance from front of cabinet to ventilation		Min. 30"
Overall Packaging Details		
Packaging		lb./in.
Gross Weight		31 lb.
Dimensions	W	25.39"
	D	22.64"
	H	6.50"
Power Requirements		
Electrical Rating		120V, 60Hz
Max Power (BTU/h)		31,300 (BTU/h)

Product Technical Illustration



General Appliance Information

Please read all installation details and instructions before use.

Contact Us

For questions regarding this product please refer to our website at haieramerica.com or call our customer service center at 877-337-3639.

