

## 24" Single 2.0 Cubic Foot Left Swing True European Convection Oven

HCW225LAES



Available

### Unit Specifications

Width	23.3/8"
Depth	24.1/8"
Height	23.1/8"
Weight	72 lb.
UPC	688057374048

### More Easy-To-Use Features

- Stainless Steel Finish
- My Favorite Recipe Menu Option
- 1,100W Concealed Bake Element
- Halogen Interior Lighting
- 2,100W Broil Element
- Glass-Touch Electronic Controls
- Enameled Baking Pan Included

### Warranty

- 2 Year Warranty (Parts and Labor)

### Available Finishes



Stainless Steel

### Signature Features

#### True European Convection

Includes a rear fan and a third 1,960-watt heating element to distribute hot air throughout the oven for faster, more even baking

#### LCD Display with Sensor Touch Control

Allows faster, more intuitive oven operation

#### Two Racks and Baking Pan with Five Shelf Positions

Offers versatility to accommodate a variety of cookware

#### Ten Cooking Modes

Bake, High Broil, Convection Broil, Convection Bake, True European Convection, Convection Roast, Pizza Low Broil, Multi-Cooking, and Defrost

Letter	Cutout Dimension	in.
A	Cutout Width	21 31/32"
B	Cutout Depth	24"
C	Cutout Height	22 19/32"
D	Floor Bottom of Cutout	34"
E	Minimum Spacing	1/2"

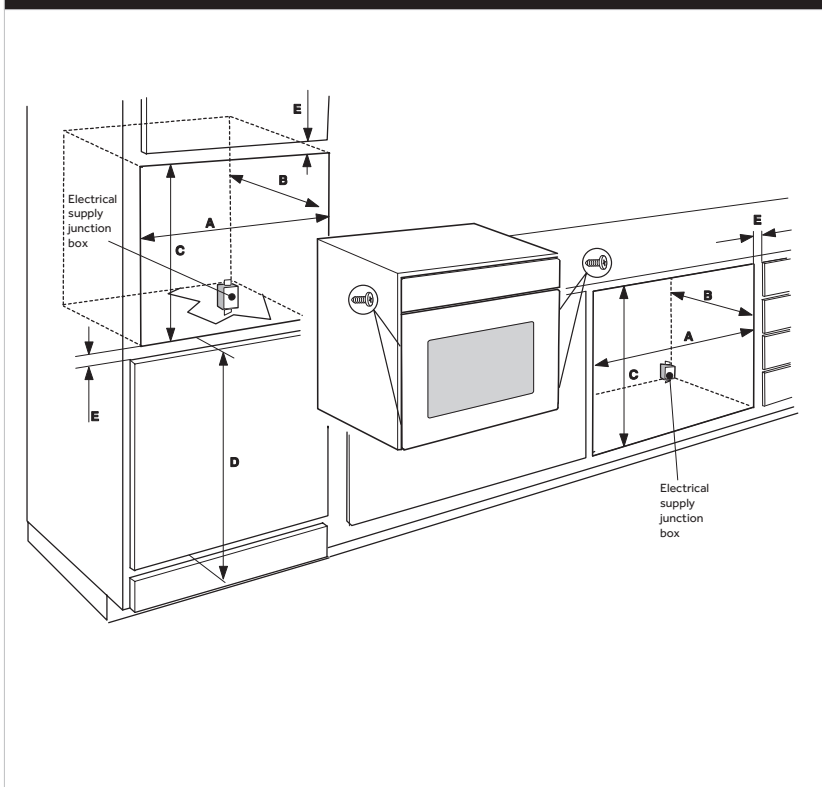
### Overall Packaging Details

Packaging	lb./in.
Gross Weight	82 lb.
Dimensions	<b>W</b> 25.47" <b>D</b> 25.91" <b>H</b> 25.98"

### Power Requirements

Electrical Rating	208/240V, 60Hz
Total Electrical Load	3.42kW / 14Amps

### Product Technical Illustration



### General Appliance Information

Please read all installation details and instructions before use.

### Contact Us

For questions regarding this product please refer to our website at [haieramerica.com](http://haieramerica.com) or call our customer service center at 877-337-3639.

