

24" Single 2.0 Cubic Foot Right Swing True European Convection Oven

HCW225RAES



Available

Unit Specifications

Width	23 3/8"
Depth	24 1/8"
Height	23 3/8"
Weight	72 lb.
UPC	688057374055

More Easy-To-Use Features

- Stainless Steel Finish
- My Favorite Recipe Menu Option
- 1,100W Concealed Bake Element
- Halogen Interior Lighting
- 2,100W Broil Element
- Glass-Touch Electronic Controls
- Enameled Baking Pan Included

Warranty

- 2 Year Warranty (Parts and Labor)

Available Finishes



Stainless Steel

Signature Features

True European Convection

Includes a rear fan and a third 1,960-watt heating element to distribute hot air throughout the oven for faster, more even baking

LCD Display with Sensor Touch Control

Allows faster, more intuitive oven operation

Two Racks and Baking Pan with Five Shelf Positions

Offers versatility to accommodate a variety of cookware

Ten Heating Methods

Bake, High Broil, Convection Broil, Convection Bake, True European Convection, Convection Roast, Pizza Low Broil, Multi-Cooking, and Defrost

Letter	Cutout Dimension	in.
A	Cutout Width	21 31/32"
B	Cutout Depth	24"
C	Cutout Height	22 19/32"
D	Floor Bottom of Cutout	34"
E	Minimum Spacing	1/2"

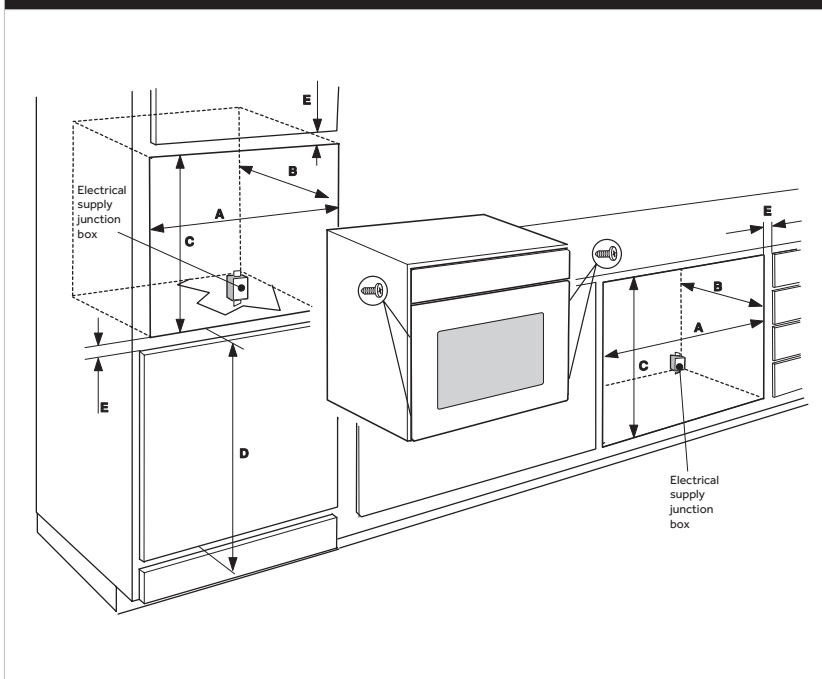
Overall Packaging Details

Packaging	lb./in.
Gross Weight	82 lb.
Dimensions	W 25.47" D 25.91" H 25.98"

Power Requirements

Electrical Rating	208/240V, 60Hz
Total Electrical Load	3.42kW / 14Amps

Product Technical Illustration



General Appliance Information

Please read all installation details and instructions before use.

Contact Us

For questions regarding this product please refer to our website at haieramerica.com or call our customer service center at 877-337-3639.

