



36-INCH FRENCH DOOR BOTTOM FREEZER PANEL-READY

DRF367500AP



PRODUCT FEATURES

- Full height door with true flush cabinet integration without exposed venting grille
- SteelCool™ Interior illuminated by 3DLighting™
- FreshZone™ Drawer with three customizable temperatures for Meat/Fish, chilled drinks and dairy
- Internal Water Dispenser for easy access to clean, filtered water
- Dual Icemaker with Standard and Cocktail Ice™

DIMENSIONS & WEIGHT

APPLIANCE DIMENSIONS (H X W X D) (IN.)	83 3/8" X 35 3/4" X 23 13/16"
REQUIRED CUTOUT SIZE (HXWXD) (IN.)	84" X 36" X 25"
NET WEIGHT (LBS)	562 LBS.

GENERAL PROPERTIES

PANEL READY	YES
INTERNAL WATER DISPENSER	YES
ICEMAKER	DUAL ICEMAKER FOR STANDARD AND COCKTAIL ICE™
DEODORIZING FILTER	YES
LIGHTING	3D LIGHTING™
INTERIOR MATERIAL	STEELCOOL™ STAINLESS STEEL INTERIOR
FULL WIDTH SHELVES - REFRIGERATOR	2 EA
ADJUSTABLE SHELVES - REFRIGERATOR	2 EA
SHELF MATERIAL - REFRIGERATOR	TEMPERED GLASS SHELVES W/ METAL TRIM
FULL EXTENSION DRAWERS AT 90° DOOR OPENING ANGLE	YES
FRESHZONE™ DRAWER	YES - CHEESE (37°F) / COLD DRINKS (33°F) / MEAT (29°F)
CRISPER DRAWERS	2 EA
DOOR BINS - REFRIGERATOR	6 EA
FREEZER DRAWERS	2 EA
DOOR OPEN ALARM	YES
SPECIAL MODES	SABBATH MODE

CAPACITY

TOTAL UNIT GROSS CAPACITY (CU.FT.) - AHAM	21.3 CU. FT.
REFRIGERATOR GROSS CAPACITY (CU.FT.)	14.5 CU. FT.
FREEZER GROSS CAPACITY (CU.FT.)	6.8 CU. FT.

PERFORMANCE

DOUBLE COOLING (2 EVAPORATORS, 1 COMPRESSOR)	YES
POWER COOL - REFRIGERATOR	YES
DEFROST PROCESS - FREEZER	YES
PRECISE COOLING	FROST-FREE
PRECISE COOLING	YES

EFFICIENCY

ENERGY STAR® QUALIFIED	YES
ANNUAL ENERGY CONSUMPTION	549 KWH/YEAR

TECHNICAL DETAILS

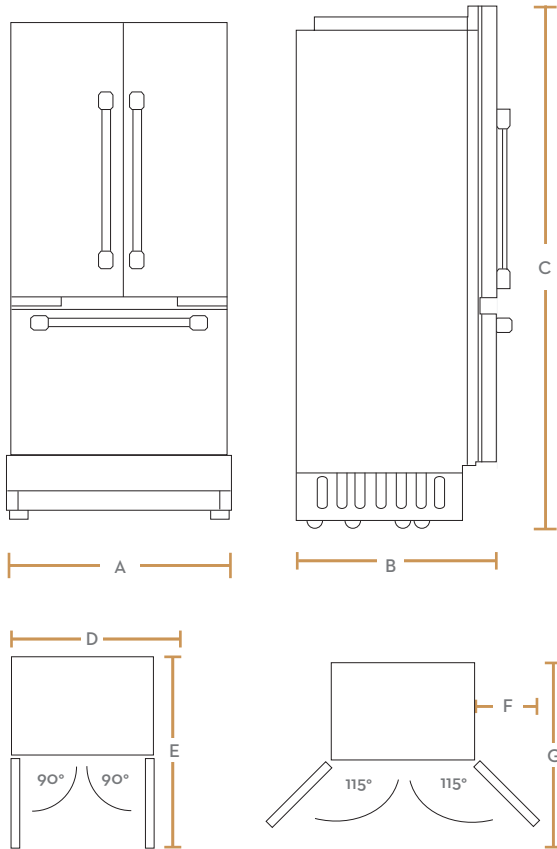
CURRENT (A)	6
VOLTS (V)	115
FREQUENCY (HZ)	60
POWER CORD LENGTH (IN.)	78 3/4"
PLUG TYPE	120 V, 3 PRONG

TEMPERATURE RANGES

REFRIGERATOR	34°(1°) TO 44°(7°)
REFRIGERATOR - POWER COOL	34°(1°)
FRESHZONE™ DRAWER	37°(3°) / 33°(1°) / 29°(-1°)
FREEZER	5°(-15°) TO -8° (-23°)
FREEZER - POWER FREEZE	-8°(-23°)

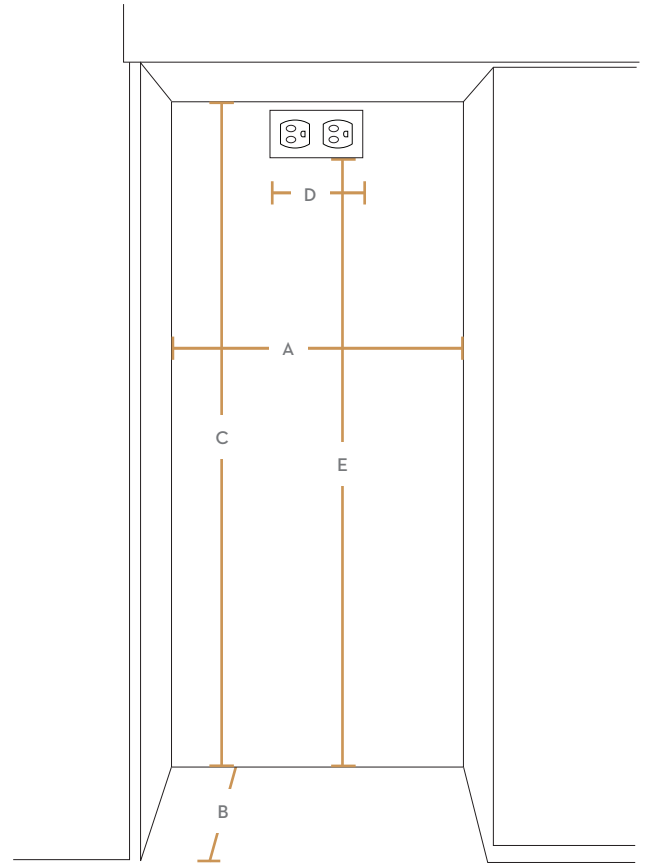
APPLIANCE DIMENSIONS

A (WIDTH)	35 3/4" (908MM)
B (DEPTH)	25" (635MM)
C (HEIGHT)	83 3/8" (2118MM) - FRONT
D	35 5/8" (905MM)
E	44 7/8" (1140MM)
F	20 9/16" (496MM)
G	44" (1118MM)



INSTALLATION CUTOUT DIMENSIONS

A (WIDTH)	36" (914MM)
B (DEPTH)	25" (635MM)
C (HEIGHT)	84" (2134MM)
D	26" (660MM)
E	80" (2032MM)



ACCESSORIES

SILVER STAINLESS STEEL - 36" FDR UPPER PANEL - LEFT	RAF36DPULSR
SILVER STAINLESS STEEL - 36" FDR UPPER PANEL - RIGHT	RAF36DPURSR
SILVER STAINLESS STEEL - 36" FDR BOTTOM PANEL	RAF36DPBDSR
SILVER STAINLESS STEEL - 36" KICK PLATE	RAC36TKBBSR
SILVER STAINLESS STEEL - MODERNIST HANDLE	RAC00MHAASR
SILVER STAINLESS STEEL - DACOR PRO HANDLE	RAC00PHAASR
WATER FILTER	RAC00WFASAA
DEODORIZING FILTER	RAC00DFASAA

WARRANTY

LIMITED, ENTIRE APPLIANCE, PARTS AND LABOR ON ANY PART OF THE REFRIGERATOR	2 YEAR
LIMITED WARRANTY FOR SEALED REFRIGERATION SYSTEM; PARTS AND LABOR	3RD TO 6TH YEAR
LIMITED WARRANTY FOR SEALED REFRIGERATION SYSTEM; PARTS ONLY	7TH TO 12TH YEAR
LIMITED WARRANTY FOR COMPRESSOR; PARTS ONLY	13TH TO 15TH YEAR