

When range hoods exhaust air out of your home, negative air pressure is created unless the exhausted air is replaced by fresh outdoor air. Zephyr's Make-Up Air Damper is designed to balance the air pressure in your home

by automatically opening to allow fresh air in while the range hood is operating.

For use with any Zephyr hood operating over 300 CFM.

MODEL	DAMPER SIZE	CFM LEVEL of range hood motor
MUA006A	6" round	up to 600 CFM
MUA008A	8" round	up to 1,000 CFM
MUA010A	10" round	up to 1,300 CFM

FEATURES

- 24 VAC, 60 Hz AC motor
- Meets International Residential Code M1503.4
- Automatically opens when range hood is operating
- Automatically closes when range hood is off
- 24-gauge galvanized steel construction
- Adjustment screw to adjust damper opening

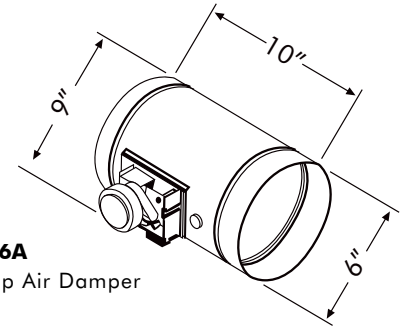
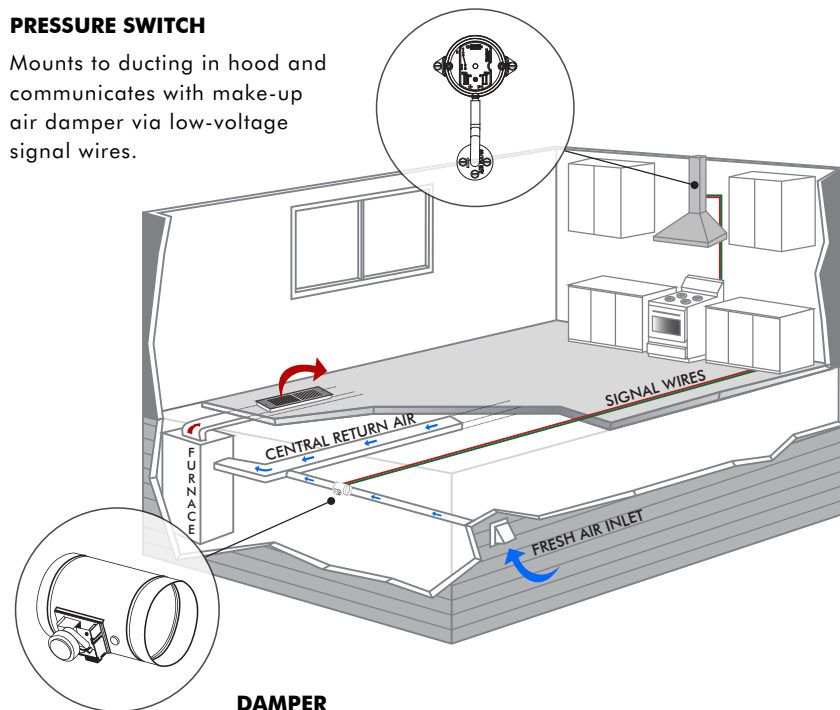
OPTIONAL ACCESSORIES

- AK00030 Fresh air inlet cap with screen, 6" round
- AK00032 Fresh air inlet cap with screen, 8" round
- AK00052 Fresh air inlet cap with screen, 10" round

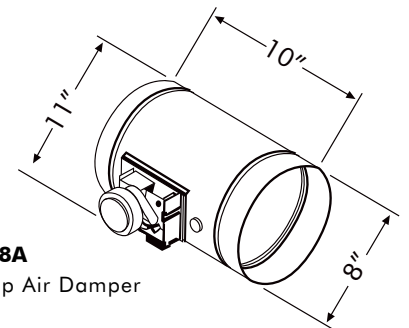
TYPICAL INSTALLATION

PRESSURE SWITCH

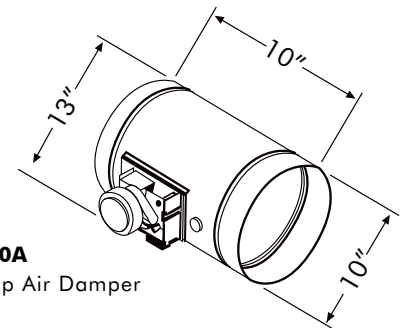
Mounts to ducting in hood and communicates with make-up air damper via low-voltage signal wires.



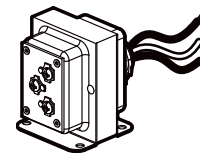
MUA006A
Make-Up Air Damper



MUA008A
Make-Up Air Damper



MUA010A
Make-Up Air Damper



Transformer
Installs next to damper.
Included with MUA006A,
MUA008A & MUA010A

Pressure Switch Components

Included with MUA006A,
MUA008A & MUA010A

