

HDA3600K

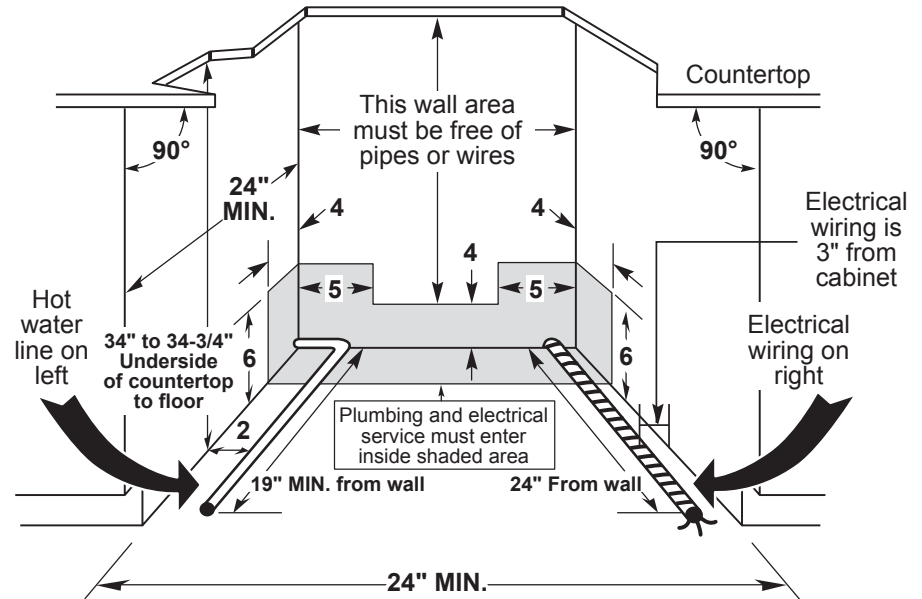
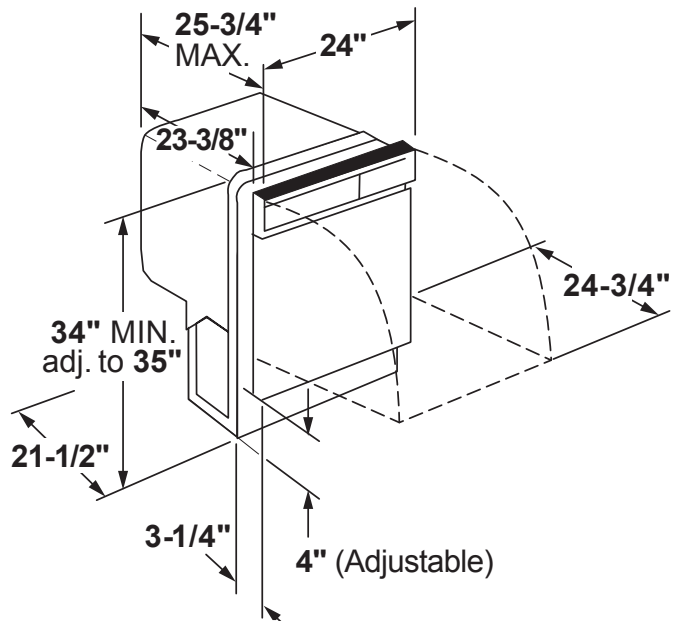
Hotpoint® Built-In Dishwasher

DIMENSIONS AND INSTALLATION INFORMATION

ELECTRICAL RATING

Voltage AC.....	120
Hertz.....	60
Total connected load amperage.....	8.6
Calrod® heater watts.....	500

For use on adequately wired 120-volt, 15-amp circuit having 2-wire service with a separate ground wire. This appliance must be grounded for safe operation.



NOTE: Dishwasher must not be installed more than 10 feet from sink for proper drainage. All plumbing and electrical work must be in accordance with local codes. Dishwasher includes drain hose and leveling legs.

INSTALLATION INFORMATION: Before installing, consult installation instructions packed with product for current dimensional data.

Hotpoint®

For answers to your Hotpoint product questions, visit our website at hotpoint.com or call 800.626.2000.



Specification Created 6/18

HDA3600K

Hotpoint® Built-In Dishwasher

FEATURES AND BENEFITS

5-level wash system – Precision water jets and hot temperatures power away tough food stains

Two-stage filtration with Extra Fine filter – Extra filtration keeps water clean

Piranha™ hard food disposer – Grinds food into small particles that are washed away

Insulation blanket – Adds improved sound performance

Standard upper rack with tower – Rack is designed for simple loading and unloading

Pots and Pans Cycle – Removes difficult soils from cookware

Hi-temp wash – Helps maximize detergent performance

5 cycles / 3 options – Allows you to select the combination that best cleans your dishes

Up to 12-place setting capacity racking – Provides flexibility to wash a variety of dishes at once

Model HDA3600KWW – White on white

Model HDA3600KBB – Black on black

