

COASTER[®]
FINE FURNITURE

505396

LOVESEAT

**ASSEMBLY INSTRUCTIONS
COASTER FINE FURNITURE**



www.coastercompany.com

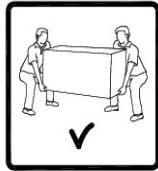
ASSEMBLY TIPS:

1. Remove hardware from box and sort by size.
2. Please check to see that all hardware and parts are present prior to start of assembly.
3. Please follow attached instructions in the same sequence as numbered to assure fast & easy assembly.



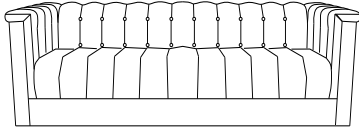
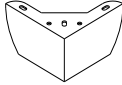
Warning!

1. Don't attempt to repair or modify parts that are broken or defective. Please contact the store immediately.
2. This product is for home use only and not intended for commercial establishments.






ASSEMBLY TIME	5 MINUTES
----------------------	------------------

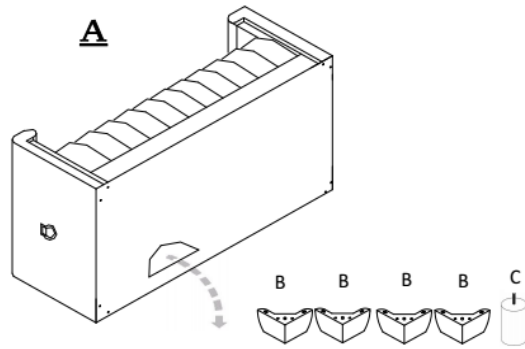
PARTS IDENTIFICATION

	PART NAME	FIGURE	QTY
A	LOVESEAT		1PC
B	LEGS		4PCS

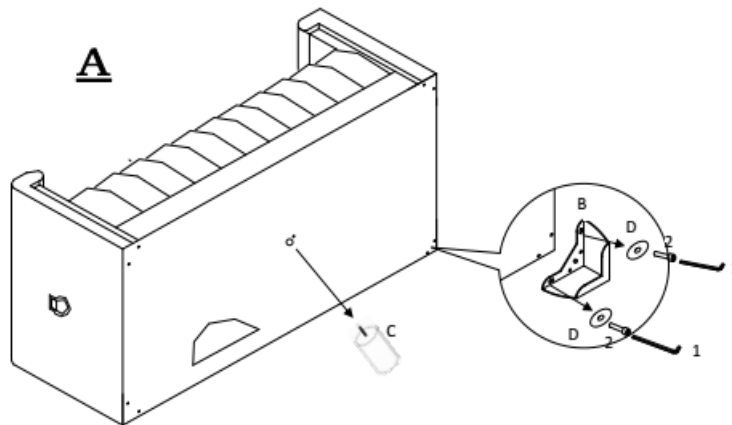
HARDWARE IDENTIFICATION

	HARDWARE NAME	FIGURE	Q'TY
1	Allen wrench 5*23*73mm		1 PCS
2	Wood screw 30*10*10mm		8 PCS
3	Washer M8 21*21*1mm		8 PCS

STEP 1



STEP 2



STEP 3

