

DIMENSIONS AND INSTALLATION INFORMATION (IN INCHES)

NOTE

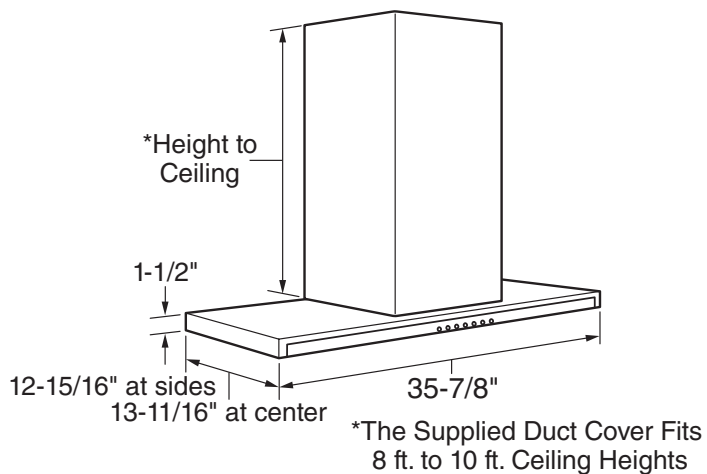
The vent hood canopy extends forward 5-7/8".

The vent hood must be installed 24" min., and 30" max. above the cooking surface. The telescopic duct cover conceals the ductwork running from the top of the hood to the ceiling. The duct cover is sized to reach 8 ft. to 10 ft. ceiling heights.

The hood installation height, from the cooking surface to the bottom of the hood, depends upon ceiling height.

INSTALLATION INFORMATION

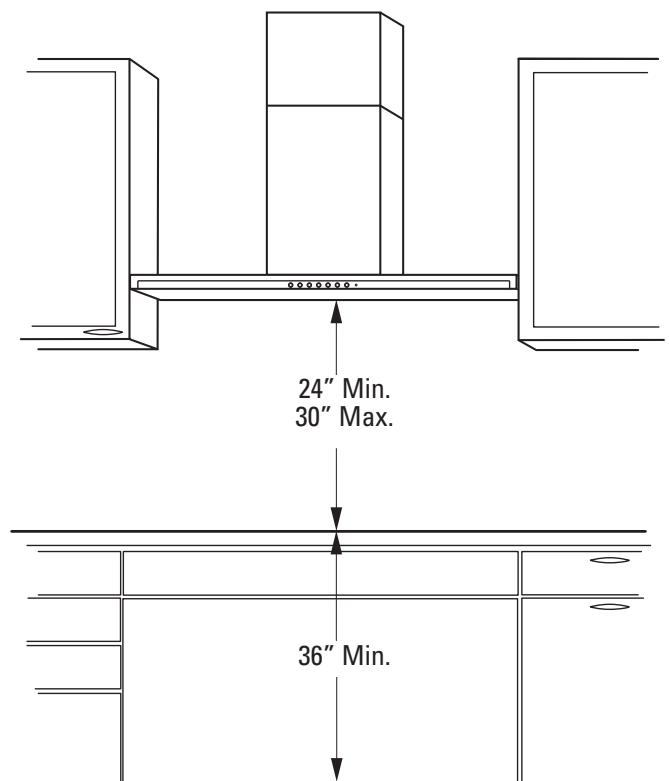
Before installing, consult installation instructions packed with product, or available online at monogram.com, for current dimensional data.



WALL MOUNT INSTALLATIONS

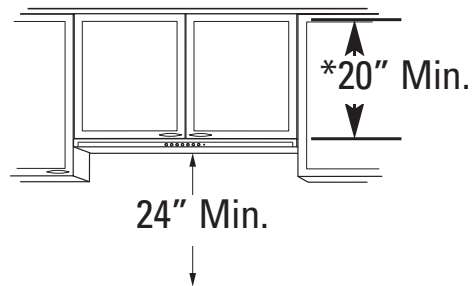
These hoods may be installed onto a wall or below a wall cabinet.

- Telescopic duct covers are provided to conceal the ductwork, running to the ceiling.
- This hood can be installed for recirculation operation. No kits required.



The vent hood must be installed 24" min. and 30" max. above the cooking surface. The hood installation height, from the cooking surface to the bottom of the hood, depends upon ceiling height.

INSTALLATION BELOW A CABINET



*The cabinet must measure at least 20" from the bottom frame to the inside top. The hood housing will occupy the interior cabinet space.

INSTALLATION BELOW A WALL CABINET

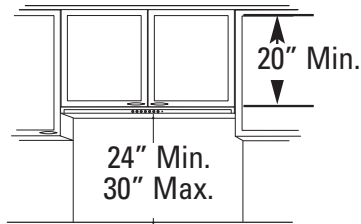
Order a cabinet that is at least 20" high from the bottom frame to the inside top. The cabinet must be at least 12" deep.

- The hood installation height is determined by the ceiling height.
- The hood installation height must be 24" Min. above the cooking surface.

CABINET REQUIREMENTS

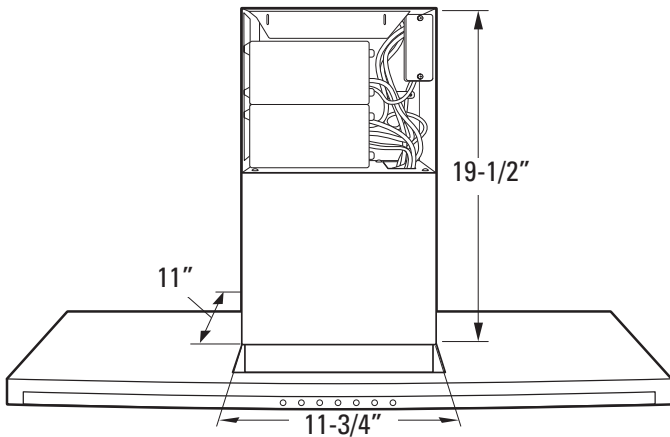
This hood may be installed beneath a wall-mounted cabinet.

- Both vented and recirculating operation can be accomplished in an under-cabinet installation.
- If the cabinet has been installed, it must be removed so that wall framing supports can be added.



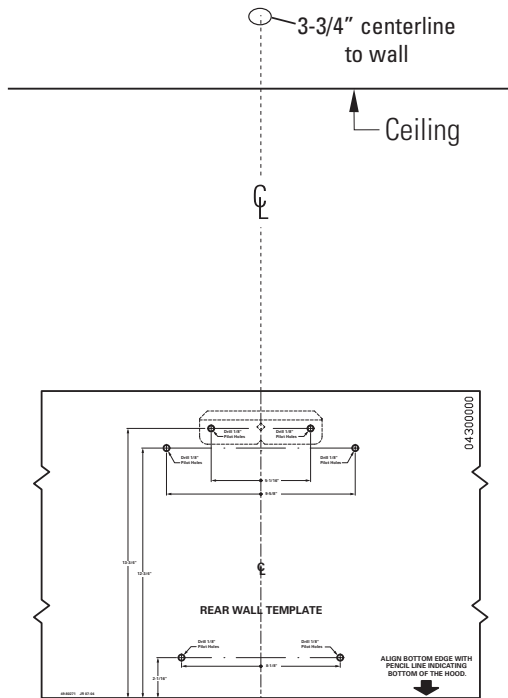
The cabinet must be at least 20" high between the bottom frame and the inside top. A custom cabinet or modifications to a different size cabinet may be required to accommodate the hood housing.

- The cabinet must be 36" wide.
- The cabinet must be firmly secured to wall studs or the added framing support and capable of supporting 100 pounds.



DUCTWORK, WIRING

- Determine the exact location of the vent hood.
- Locate the Rear Wall Template packed with the literature.
- Measure 36" from the floor to the top of the cooking surface. Add the pre-determined hood installation height. Mark that location.
- Use a level to draw a straight pencil line on the wall.



- Tape the template in position along the penciled line. Check to be sure the template is level.
- Use the level to draw a line straight up, from the centerline on the template to the ceiling.
- Measure 3-3/34" from the back wall to the centerline of a 6-1/2" hole on the ceiling.

NOTE

If drywall is not present, add drywall thickness to the 3-3/4" dimension.

HOUSE WIRING LOCATION

- The junction box is located on the top right side of the hood.
- Wiring should enter the back wall 20" to 26" above the bottom of the hood, and within 4" of the right side of the centerline. Wiring should enter at least 4" above the bracket on the right side.

FEATURES AND BENEFITS

UNDER-CABINET OR STAND-ALONE INSTALLATION

The chimney hood installs beneath a cabinet, above most cooktops and ranges. For a more contemporary look, the system can be wall-mounted with matching 8-to-10-ft. duct cover

LOW-PROFILE DESIGN, HIGH-IMPACT STYLE

The retractable glass canopy is sleekly styled with a streamlined design, seamlessly finished edges and front-mounted touch controls

POWERFUL VENTILATION

A four-speed, 460-CFM fan blower with boost option captures the smoke and steam produced by high-performance cooking equipment

MULTILEVEL HALOGEN LIGHTING

Six levels of intensity, from accent to ambient settings, allow you to choose the lighting to match the cooking task or occasion

EASY MAINTENANCE

Stainless steel filters can be easily removed for safe cleaning in your dishwasher

RECIRCULATING KIT

Included for applications that do not allow outside venting



ELEVATE EVERYTHING™

MONOGRAM