

IDEAL FOR FARM SINKS & COMPACT SPACES

# XO SINK PRO NANOGRIND

MODEL XOD34PRO  
CONTINUOUS FEED WASTE DISPOSAL

Comes with all these  
Features Included:

- Permanent Magnet 2850 RPM Motor
- Generates High Torque / Avoids Jams
- Stainless Steel Turntable & Cast Impellers
- Bio-guard Antimicrobial Protection
- Removable Splash Guard
- Factory Installed Molded Power Cord & Plug
- Precision Balanced
- Sound Insulation Shield
- XO 3 Bolt Mount for Compact Installation



3/4HP

10 YEAR  
IN HOME  
WARRANTY

XO LOVE IT OR LEAVE IT  
100% GUARANTEED

For 90 Days, all our products are backed by our unique Love It or Leave It Guarantee

## SEPTIC SAFE

Designed to handle  
Common Kitchen  
Food Waste Like:

- Melon Rinds
- Small Bones
- Corn Cobs
- Nut Shells
- Fruit Pits
- Tea Leaves
- Coffee Grounds
- Fish Bones
- Egg Shells
- Grapefruit Halves
- Vegetable Scraps



the next level  
in luxury appliances

# XO SINK PRO NANOGRIND

CONTINUOUS FEED 3/4 HP  
FOOD WASTE DISPOSAL  
COMPACT DESIGN

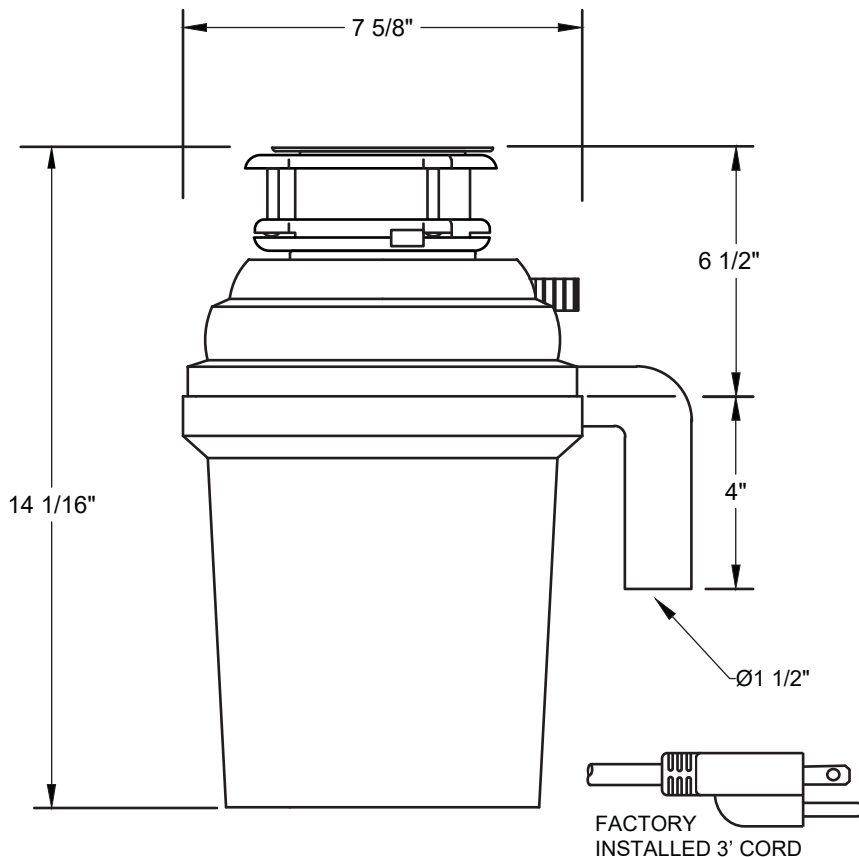
MODEL XOD34PRO

## POPULAR OPTIONS:

for continuous feed models /  
sold separately



**MODEL: XODFSADAPTER**  
Stainless Steel Drain  
For Use With Farm Sinks



**MODEL: XODAIRSWITCH**  
For Remote Operation  
comes with  
two popular color buttons  
Brushed Stainless  
Bright Chrome

## SPECIFICATIONS

HP	3/4
Motor Type	Permanent Magnet
Feed	Continuous
Volts	120V
Amps	4.6 amps
Frequency	50/60Hz
Motor Speed	2850 RPM
Hopper Capacity	29oz
Balance Level	G0.4
Sink Flange	Stainless Steel
Stopper	Stainless Steel
Drain Elbow	ABS
Bearings	Permanently Lubricated, Sleeve Type
Manual Reset Protector	Protection for Overload and Temp.
Shipping Weight	13 lbs
Pallet Quantity	64pcs

XO Appliance - 24 Eisenhower Parkway - Roseland, NJ 07068  
(800)966-8300 [www.XOAppliance.com](http://www.XOAppliance.com)