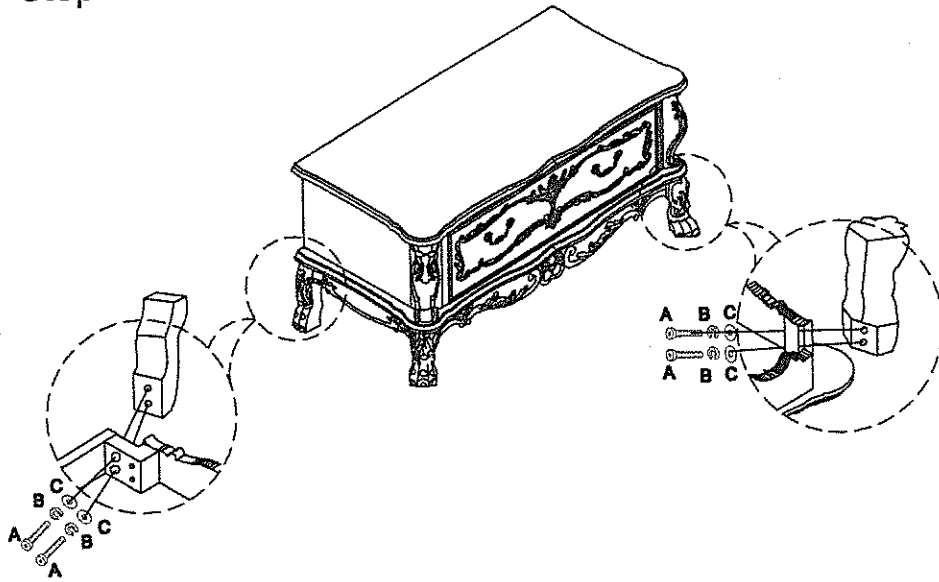


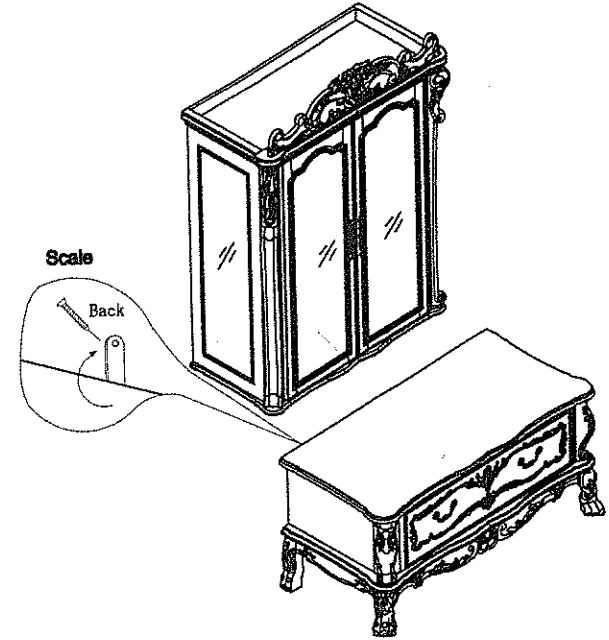
# ASSEMBLY INSTRUCTION

Chilangop 12

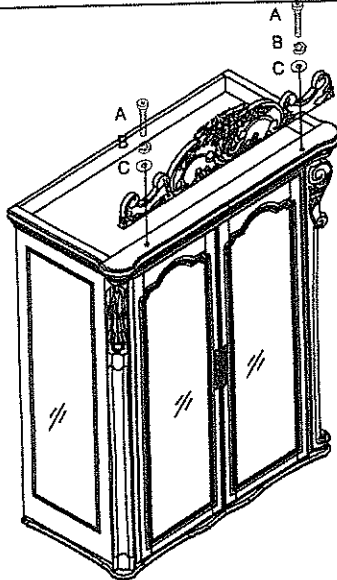
Step 1:



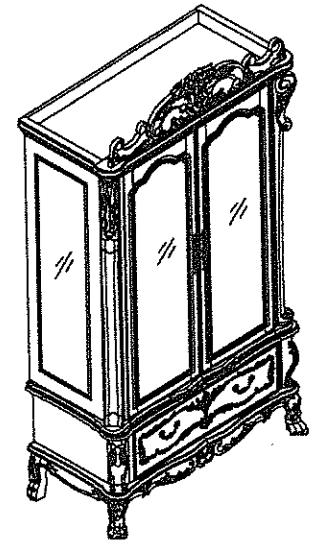
Step 3:



Step 2:



Finish :



## Hardware List

No.:	Description	Drawing	Size	Q'ty
A	Bolt		Ø5/16"X2"	10
B	Lock Washer		Ø5/16"X12mm	10
C	Flat Washer		Ø5/16"X19mm	10
D	Allen Wrench		5mm	1