



## Heritage® 30", 36", 48" Wide Wall-Mount Range Hood

## PLANNING GUIDE

### WARNING

- Observe all governing codes and ordinances during planning and installation. Contact your local building department for details.
- The range must be installed as specified in its installation instructions.

### General Specifications

#### Common Features

Features	Description
Blower Speeds	Four
Filters	Baffle style, dishwasher safe
Exhaust(s)	8" (20.3 cm) duct diameter
Total Connect Load	120V, 60 Hz, 9 Amp. Max. (10.0 Amp Max. surge)
Lights	Dimmable LED: PAR16 E26/27; 120V, 7.5W (75W max. other bulbs)

#### Individual Features

Components	48	36	30
Lights	4	3	2
Filters	4	3	2
Blowers	2	1	1
Exhaust Vents	2	1	1
Blower Rating	1200 CFM	600 CFM	600 CFM

#### Vent Configurations

Model	Top Vent	Rear Vent	Rotatable Fan
3012	x	x	x
3018	x	x	x
3612	x	x	x
3618	x	x	x
4812	x	x	x
4818	x	x	x

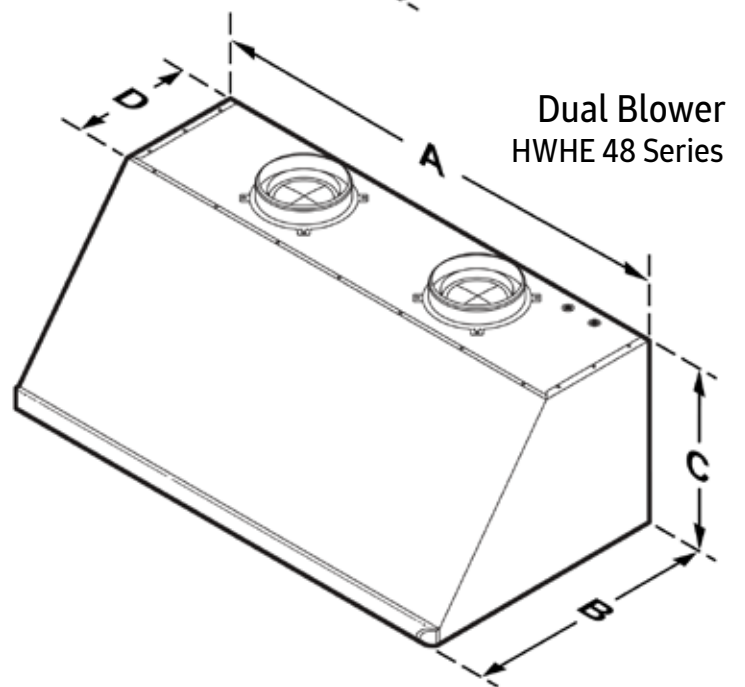
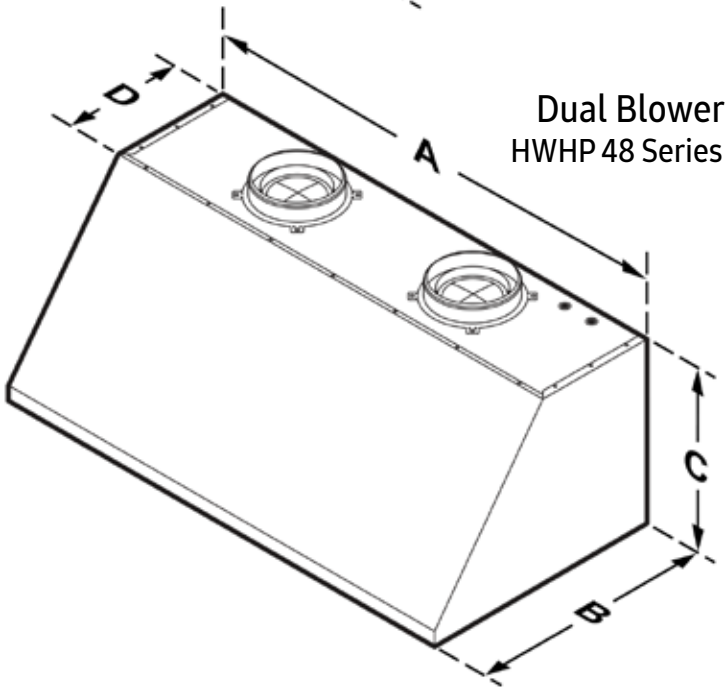
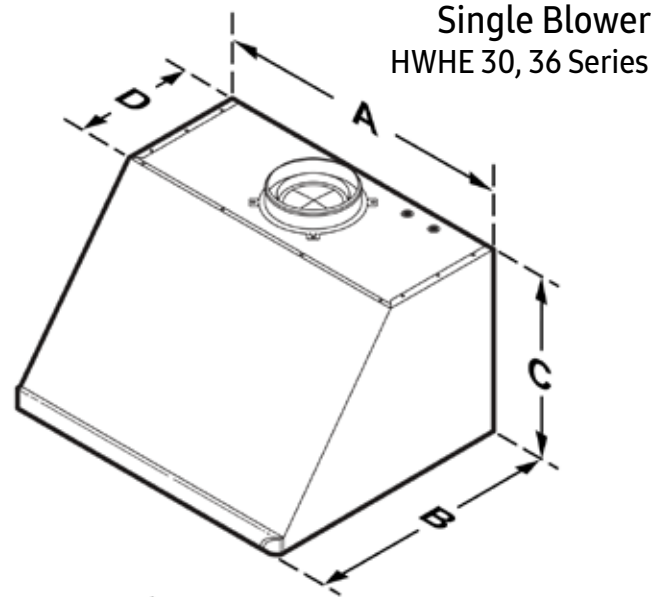
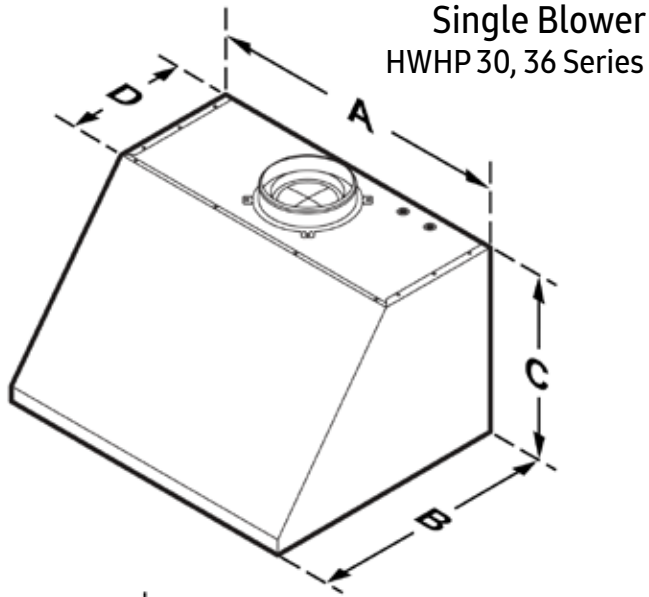
#### Weight Specifications

Model	Weight
3012	51 lbs. (23 kg)
3018, 3612	53 lbs. (24 kg)
3618	57 lbs. (26 kg)
4812	70 lbs. (32 kg)
4818	77 lbs. (35 kg)



## Heritage® 30", 36", 48" Wide Wall-Mount Range Hood

## PLANNING GUIDE



HWHP Hood Dimensions				
Model	A	B	C	D
3012	29 7/8" (75.9 cm)	24" (61 cm)	12" (30.5 cm)	11 7/8" (30.2 cm)
3612	35 7/8" (91.1 cm)			
4812	47 7/8" (121.6 cm)			
3018	29 7/8" (75.9 cm)	24" (61 cm)	18" (45.7 cm)	11 7/8" (30.2 cm)
3618	35 7/8" (91.1 cm)			
4818	47 7/8" (121.6 cm)			

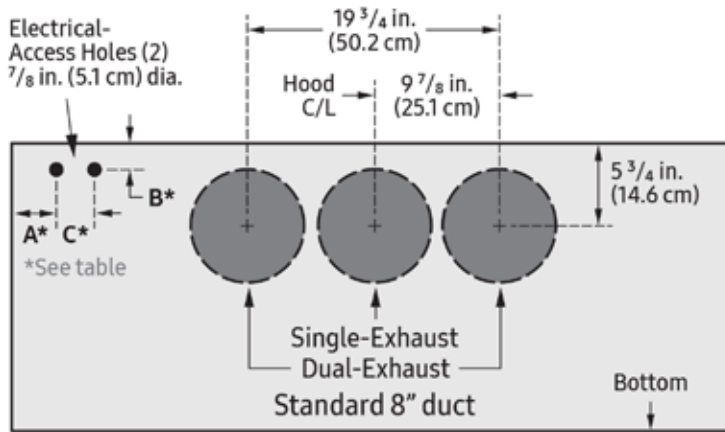
HWHE Hood Dimensions				
Model	A	B	C	D
3012	29 7/8" (75.9 cm)	25 1/2" (61 cm)	12" (30.5 cm)	11 7/8" (30.2 cm)
3612	35 7/8" (91.1 cm)			
4812	47 7/8" (121.6 cm)			
3018	29 7/8" (75.9 cm)	25 1/2" (61 cm)	18" (45.7 cm)	11 7/8" (30.2 cm)
3618	35 7/8" (91.1 cm)			
4818	47 7/8" (121.6 cm)			



## Heritage® 30", 36", 48" Wide Wall-Mount Range Hood

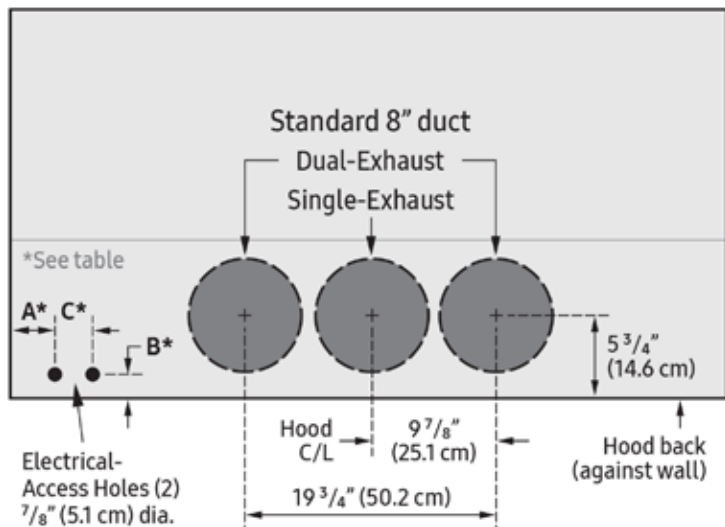
## PLANNING GUIDE

### Rear Dimensions: Electrical-Access Holes



HWHP, HWHE	A	B	C
48	5" (12.7 cm)	1" (2.54 cm)	3" (7.62 cm)
36	4 1/2" (11.43 cm)		
30	5 1/2" (13.97 cm)		

### Top Dimensions: Electrical-Access Holes



DIMENSIONS: ELECTRICAL-ACCESS HOLES (top)			
HWHP, HWHE	A	B	C
48	5" (12.7 cm)	1 1/2" (3.81 cm)	3" (7.62 cm)
36	4 1/2" (11.43 cm)		
30	5 1/2" (13.97 cm)		

### Meeting Installation Requirements

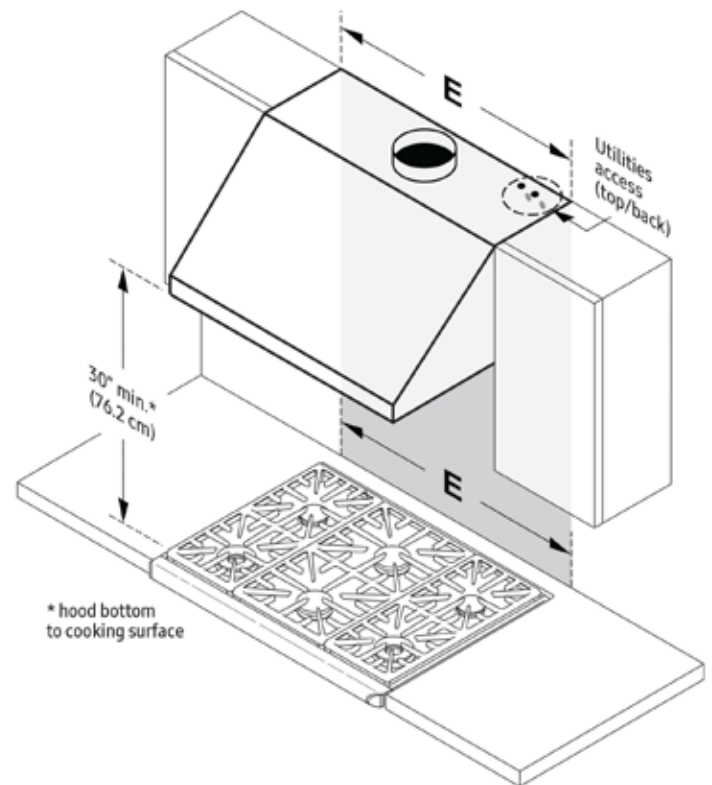
**⚠ WARNING**

To reduce risk of injury from reaching over a hot appliance, do not place cabinets directly over the range.

**👉 IMPORTANT**

See the diagram for minimum installed distance from hood to cooktop surface (top of grates, glass, other). The minimum specified distance may change with the appliance. Check manufacturer specifications for the recommended distance in your case.

- The hood must be at least as wide as the cooktop.
- No dimension shall exceed the specified minimum.
- Dimensions are minimum clearances unless otherwise noted.
- All contact points between the hood and surfaces must be sturdy, solid, and at right angles.
- The hood and cooktop/range must be removable for service.



Minimum Width of E (upper-cabinet cutout, appliance width)	
HWHP, HWHE	E
3012, 3018	30 in. (76.2 cm)
3612, 3618	36 in. (91.5 cm)
4812, 4818	48 in. (121.9 cm)



## Heritage® 30", 36", 48" Wide Wall-Mount Range Hood

## PLANNING GUIDE

### Planning the Ductwork

**⚠ WARNING**

- To improve efficiency and keep annoying/lethal smoke, odor, and chemical vapor out of the home:
  - follow the manufacturer’s directions for these devices and NFPA/ASHRAE recommendations.
  - install a remote blower and proper ductwork
  - tape all duct joints securely.
- Do NOT add an in-line or external blower to lengthen the duct. Even small differences in blower air-flow rates can greatly hinder the hood’s ability to draw air.

**⚠ CAUTION**

To reduce risk of fire and to properly exhaust air, duct air to the outdoors, not into walls, ceilings, attics, crawlspaces, or garages.

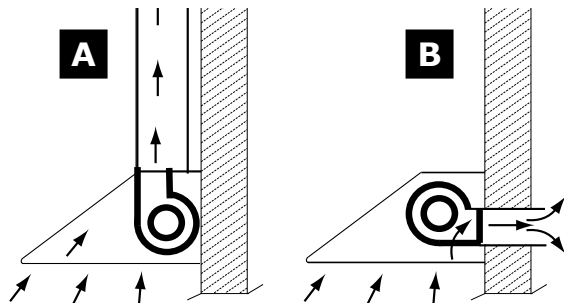
**⚠ WARNING**

In installing ducting, ensure the hood’s damper flaps can open freely.

- Local building codes may require use of makeup air systems with ventilation systems that move air at greater than the specified rate (CFM). Specified rates depend on locale. When designing the system, consult a qualified HVAC specialist about local requirements and to ensure optimal performance.
- The owner is financially responsible for all ducting (incl. screws and foil tape).
- Ducting must not interfere with floor joists or wall studs.
- On dual-exhaust hoods, the two 8" exhausts may be merged into one 10" duct using Dacor transition kit AHT10. See the hood Installation Instructions (Pg. 15) for details.
- Fasten all joints with sheet-metal screws, and seal with certified duct/foil tape.

### Venting Options

Typically, the blower vents through the hood top (A); however, the blower can be turned to vent through the rear (B). When planning ductwork, always use the shortest, most direct route to the outside.



### Calculating Duct Length

Duct type determines the hood’s maximum straight duct length.

Duct Type	Maximum Duct Run (feet)
8" Round	60
10" Round	50
3 ¼" x 10" Rectangular	

For each new elbow and transition, you must subtract “equivalent lengths” from your total maximum duct-run length to compensate for wind resistance.

### Determining Maximum Length

Start with your duct-run’s total maximum length, then subtract all the ductwork equivalent lengths.

CUTWORK EQUIVALENT LENGTHS	
Piece	Subtract (feet)
8" 90° elbow	7
8" 45° elbow	3
10" 90° elbow	5
10" 45° elbow	2
3" x 10" to round 90° transition	25
3¼" x 10" to 8"/10" round transition	4
Wall cap w/damper	*
Roof cap	

\*These figures vary with model and configuration.