

WF45R6300AV

SAMSUNG

Samsung Smart Front Load Washer with Super Speed

4.5 cu. ft. Capacity DOE



Signature Features

Super Speed

- Uses advanced cleaning technologies to wash a full load of laundry in just 30 minutes¹, without sacrificing cleaning performance.

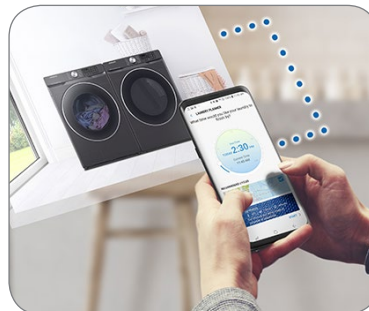
Bixby Enabled


- Wi-Fi connected so you can remotely start or stop your cycle, schedule laundry on your time, receive end of cycle alerts, and more right from your smartphone.²

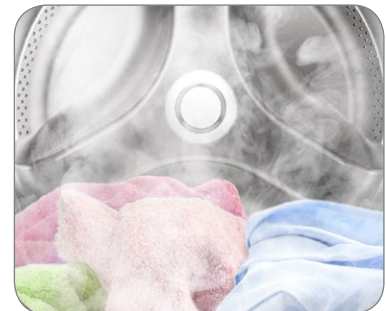
Steam

- Powerful stain removal without pretreatment, while still gentle on your clothing.

Available Colors




Bixby Enabled 



Steam

Features

- Bixby Enabled 
- Super Speed
- Steam
- VRT Plus™ Technology
- Swirl+ Drum Design
- Self Clean+
- Closet-Depth Fit³
- Stackability
- Internal Water Heater
- 1200 RPM Maximum Spin Speed
- Direct Drive Motor
- 12 Preset Washing Cycles
- 9 Additional Washing Options

- 5 Temperature Levels
- Crystal Blue Door
- LED Display: Ice Blue
- 24-Hour Delay End

Convenience

- Child Lock
- Delay End
- Dispenser Trays: Main Wash, Softener, Bleach



ADA Compliant⁴

Rating



ENERGY STAR®-rated
CEE Tier 2
IMEF = 2.92
IWF = 2.9

¹Based on using Super Speed on a normal cycle with an 8lb load.

²The Samsung SmartThings application is required and is available on Android and iOS devices. A Wi-Fi connection is required. User will be solely responsible for any consequence(s) that may result, including but not limited to any damage or harm caused by incorrect information provided by the user.

³Designed to fit a 40" installation depth.

⁴ADA Compliant when using a Samsung 27" wide riser (WE272NV or WE272NW).

WF45R6300AV

SAMSUNG

Samsung Smart Front Load Washer with Super Speed

4.5 cu. ft. Capacity DOE

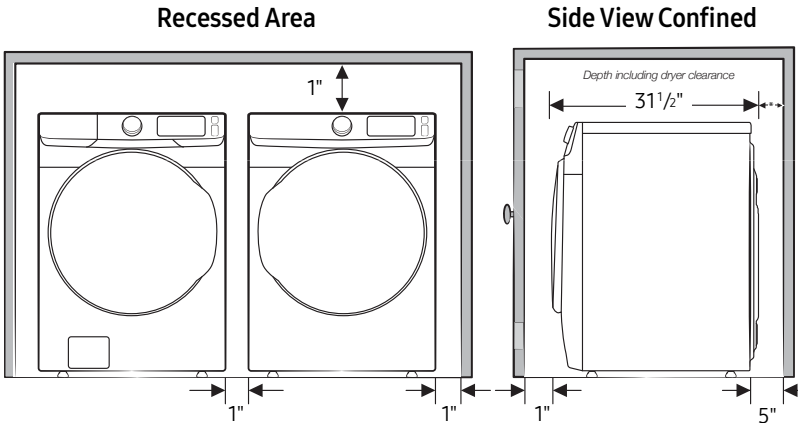
Installation Specifications

If the washer and dryer are installed together or the dryer alone, the closet front must have two unobstructed air openings for a combined minimum total area of 72-inch² (see stacked build below). Your washer alone does not require a specific air opening.

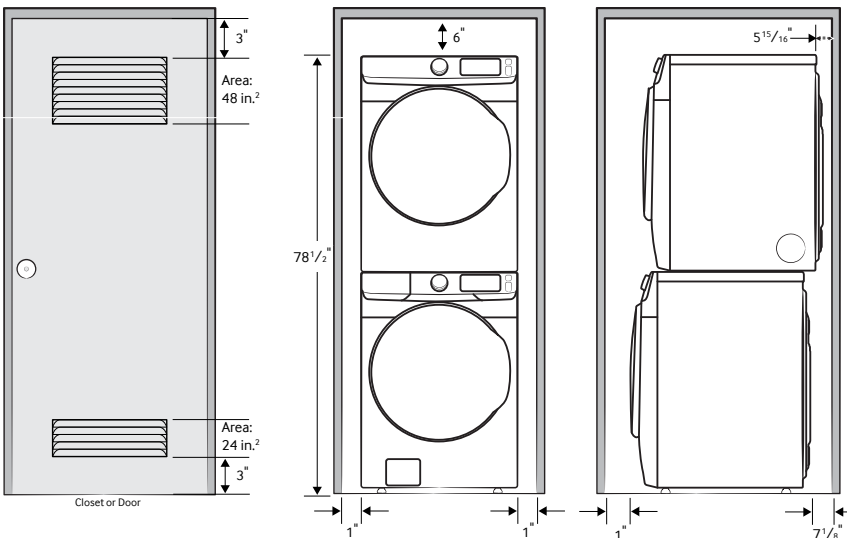
*Required spacing (External exhaust elbow may require additional space.)

1. Alcove or closet installation

Minimum Clearance for Closet and Alcove Installations:

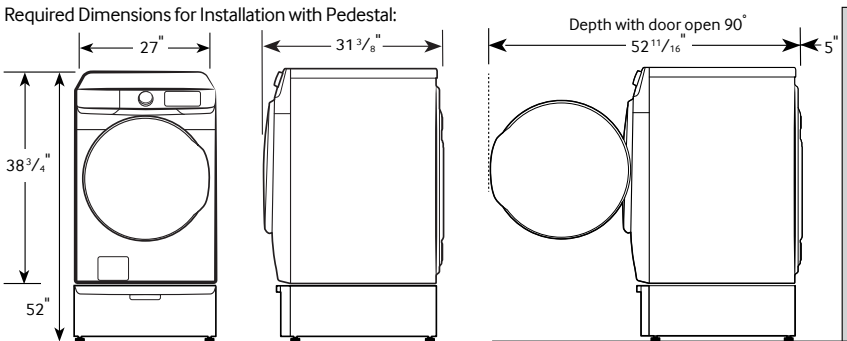


2. With stacked washer and dryer



Dimensions

Required Dimensions for Installation with Pedestal:



12 Preset Washing Cycles:

Normal, Heavy Duty, Bedding, Quick Wash, Permanent Press, Delicates, Whites, Sanitize, Activewear, Rinse and Spin, Self Clean+, Downloaded

9 Additional Washing Options:

Presoak, Steam, Delay End, Smart Control, Super Speed, Alarm Off, Child Lock, Smart Care, Spin Only

5 Temperature Levels:

Hot, Warmer, Warm, Cool, Cold

5 Spin Speeds:

High, Medium High, Medium, Low, No Spin

5 Soil Levels:

Heavy, Medium Heavy, Normal, Medium Low, Light

Dispenser Trays:

Main Wash, Softener, Bleach

Warranty

One (1) Year Parts and Labor
Three (3) Years Stainless Steel Drum (Part Only)
Ten (10) Years Direct Drive Motor (Part Only)

Product Dimensions & Weight (WxHxD)

Dimensions: 27" x 38 3/4" x 31 3/8"
Weight: 201 lbs

Shipping Dimensions & Weight (WxHxD)

Dimensions: 29 3/8" x 42 3/8" x 34 1/8"
Weight: 205 lbs

Color	Model #	UPC Code
Fingerprint Resistant Black Stainless Steel	WF45R6300AV	887276299488
Champagne	WF45R6300AC	887276331461
White	WF45R6300AW	887276299495

Matching Dryer (Electric/Gas)

Fingerprint Resistant Black Stainless Steel	DVE45R6300V	887276300467
Champagne	DVE45R6300C	887276331638
White	DVE45R6300W	887276300474
Fingerprint Resistant Black Stainless Steel	DVG45R6300V	887276300504
Champagne	DVG45R6300C	887276331645
White	DVG45R6300W	887276300511

Pedestal

Fingerprint Resistant Black Stainless Steel	WE402NV	887276310145
Champagne	WE402NC	887276310121
White	WE402NW	887276310152

Accessories

Stacking Kit	SKK-7A	887276146423
--------------	--------	--------------

Actual color may vary. Design, specifications, and color availability are subject to change without notice. Non-metric weights and measurements are approximate.

©2019 Samsung Electronics America, Inc., 85 Challenger Road, Ridgefield Park, NJ 07660. Tel: 800-SAMSUNG. samsung.com. Samsung is a registered trademark of Samsung Electronics Co., Ltd.