

## CVIU318LX New product

### classic

60 cm (Approx. 24") Built-In Wine Cooler

EAN13: 8017709253714

#### Classic Design

Left hand hinged

Fingerprint-proof stainless steel and black glass finish

17 3/4" reduced height wine cooler

Push-pull door opening

#### Compact LCD display

Maximum storage capacity: 18 bottles

1 fixed wooden shelf

2 removable wooden shelves with telescopic guides

Active charcoal filter

External touch control display

Electronic temperature controls

Adjustable temperature range: 41 - 68° F

Door open alarm

Automatic defrost

Anti UV door glass

LED lights

Gross capacity: 1.84 cu ft

Voltage rating: 120V 60Hz

Connected load (nominal power): 0.40 kW - 0.5 Amps

Dimensions: W 23 7/16" x H 5 3/8" x D 21 15/16"



### Versions

- **CVIU318RX** - Wine Cooler, right hand hinged



**CVIU318LX**

classic

wine cooler  
built-in  
st/steel and glass  
24"



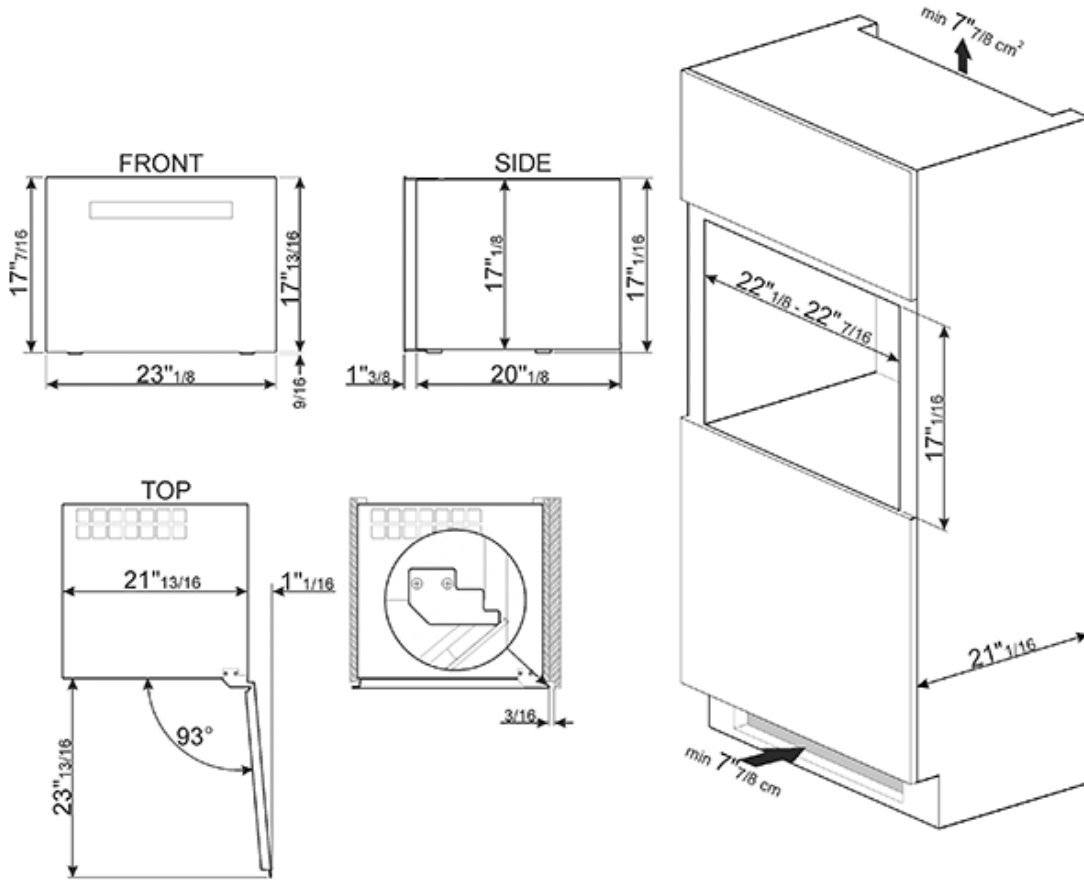
**SMEG U.S.A. INC.  
A&D BUILDING  
150 EAST 58th STREET, 7th FLOOR  
NEW YORK, NY, 10155  
Tel. +1 212 265 5378  
Fax +1 212 265 5945**



# CVIU318LX

classic

wine cooler  
built-in  
st/steel and glass  
24"



SMEG U.S.A. INC.  
A&D BUILDING  
150 EAST 58th STREET, 7th FLOOR  
NEW YORK, NY, 10155  
Tel. +1 212 265 5378  
Fax +1 212 265 5945