

# Café™ 30" Slide-In Front Control Radiant and Convection Range

CES700M2NS5

# CAFÉ

DISTINCT BY DESIGN™



## FEATURES & BENEFITS

Seamless glass surface streamlines and simplifies cooking - A sleek look is yours with an edge-to-edge glass cooktop that provides a seamless, easy-to-clean surface with more usable cooking space for five course meals

The perfect match for pots and pans of all sizes - Tailor your burner size to your cookware with a 12"/9"/6" element with Power Boil

Enjoy total control in the kitchen and beyond - Control your oven with your smart device or simply your voice using WiFi Connect

Precise control delivers consistently delicious results - Achieve perfectly even desserts with accurate heat circulation thanks to True European Convection with Precise Air

Prepare foods to perfect doneness - Get roasts and meats just right with a temperature probe that lets you monitor progress without opening the oven door

Command your cooking with a compelling display  
Control every detail of every meal you cook with a brilliant digital temperature display and easy-to-use electronic touchpad.

Allow your appliances to interact with one another - Create a chef-like experience with Chef Connect, which can synchronize your appliance clocks and surface lights and vent when a range burner is in use, and even your microwave and range clocks

Tough racks simplify loading and unloading - Easily access everything from heavy roasts to delicate desserts with heavy duty roller racks that glide smoothly on ball bearings and can stand up to the heat of self-clean

Choose the range you want with total confidence - When you're updating your kitchen, attention to detail is a priority. That's why Café 30" slide-in ranges are guaranteed for an exact fit or Cafe Appliances will pay up to \$300 toward modifications.

## APPEARANCE

Installation	Flush Appearance; Free-standing cut-out
Oven Door Features	Big View Oven Window; Easy clean oven door; Full-Wrapped Stainless
Handle Color	Stainless Steel
Handle Design	Café Minimal
Textured Steel Side Panels	Yes

## FEATURES

Configuration	Range with Storage Drawer
Cooking System	True European Convection with Precise Air
Cooking Technology	Convection
Oven Cleaning Type	Self-Clean; Steam Clean
Cooktop Burner Type	Radiant; Smoothtop
Cooktop Surface	Black Ceramic Glass
Control Location	Front controls
Control Type	Digital Temperature Display with Electronic Touchpad
Oven Control Features	Audible Preheat Signal; Auto Oven Shut-Off with Override; Auto Recipe Conversion; Auto Self Clean; Certified Sabbath Mode; Chef Connect; Control Lock Capability; C° or F° Programmable; Delay Bake Option (Time Bake); Delay Clean Option; Electronic Clock & Kitchen Timer; Fast Preheat; Hi / Low Broil; Oven "ON" Light; Self-Clean Cool Down Time Display; Temperature Probe; Warm Mode
Oven Cooking Modes	Convection Bake; Convection Roast
Oven Features	8-Pass Broil Element
Self-Clean Oven Door Lock	Automatic
Oven Rack Features	2 Self-Clean Heavy-Duty Oven Racks; 1 Roller Rack; 6 Rack Positions
Oven Interior	Black Gloss Finish; Interior Oven Light
Connected Capabilities	Amazon Alexa; The Google Assistant; IFTTT; Nest; Drop; Innit; DiGiorno
WiFi Connect	Built-In
Element - Left Front	8"/5" 1900W
Element - Left Rear	8" 2000W
Element - Right Front	12"/9"/6" 3600W Power Boil
Element - Right Rear	6" 1200W
Element - Center	6" 80W Warming Zone
Hot Surface Indicator Lights	1
Heating Element "ON" Indicator Light	Yes
Infinite Heat Controls	Yes

## CAPACITY

Total Capacity (cubic feet)	5.7 cu ft
-----------------------------	-----------

## ACCESSORIES

Trim Kit	Optional; JXFILLR1SS
----------	----------------------

## WEIGHTS & DIMENSIONS

Depth with Door Open	47 1/2 in
Approximate Shipping Weight	201 lb
Net Weight	190 lb
Height to Top of Rear Vent Trim	37-3/8 in
Overall Height	37-3/8 in
Height to Cooking Surface (in.)	36-1/4 +/- 1/4
Overall Width	29-7/8 in
Cabinet Width	30 in
Overall Depth	29-1/2 in
Depth Without Handle	26-7/8 in
Oven Interior Dimensions (W x H x D) (in.)	24 x 19-7/8 x 20-5/8

# Café™ 30" Slide-In Front Control Radiant and Convection Range

CES700M2NS5

# CAFÉ

DISTINCT BY DESIGN™

## POWER / RATINGS

Amp Rating at 208V	40
Amp Rating at 240V	40
Convection Wattage	2500W
Bake Wattage	2850W
Broiler Wattage	4000W
KW Rating at 208V	10.4
KW Rating at 240V	13.8

## WARRANTY

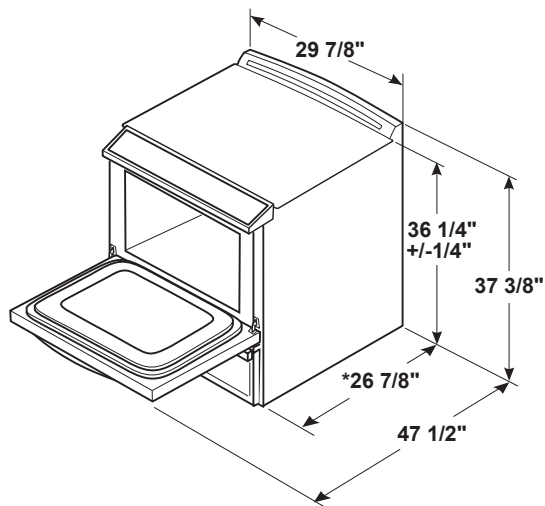
Parts Warranty	Limited 1-year entire appliance
Labor Warranty	Limited 1-year entire appliance
Warranty Notes	See written warranty for full details

## DIMENSIONS

**Receptacle Locations:** Locally approved flexible service cord or conduit must be used because terminals are not accessible after range installation. See shaded area in drawing for location of electrical outlet box. Recommended outlet locations allow range to be installed directly against rear wall.

**Note:** This appliance has been approved for 0" spacing to adjacent surfaces above the cooktop. However, a 6" minimum spacing to surfaces less than 15" above the cooktop and adjacent cabinet is recommended to reduce exposure to steam, grease splatter and heat.

**Installation Information:** Before installing, consult installation instructions for current dimensional data and additional requirements.



\*Depth including door handle is approximately 29 1/2".

