

ODR124

24" Refrigerator Drawers • Outdoor Collection



Stainless Solid

Key Features

- Convection cooling system provides a quick cool down and consistent temperature
- Digital touch pad control with blue LED display
- Stainless steel cabinet, toe-kick, and drawer fronts
- Volume of 5.4 cu ft holds up to 98 bottles (12 oz) or 150 cans (12 oz)
- Temperature range: 34°F - 60°F
- Bright white LED lighting
- Two full-extension stainless steel drawers
- Stainless steel handles (7/8" diameter)
- Built-in or freestanding
- Four adjustable leveling legs

Model Details

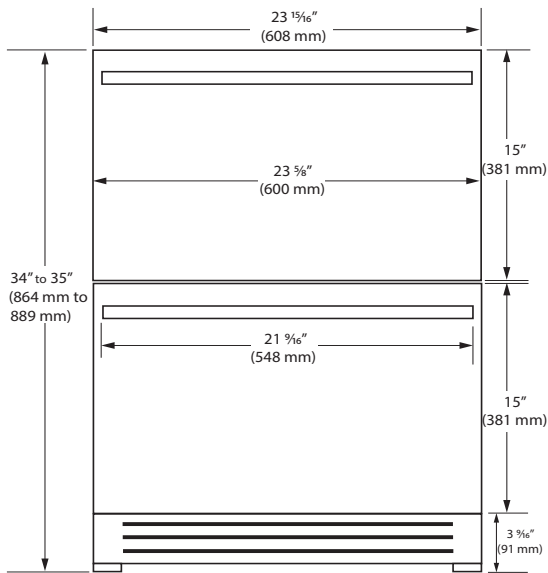
Model	Voltage/Hz	Door Swing	Finish	Shipping Weight
UODR124-SS61A	115 / 60	N/A	Stainless Solid	142 lb

ACCESSORIES

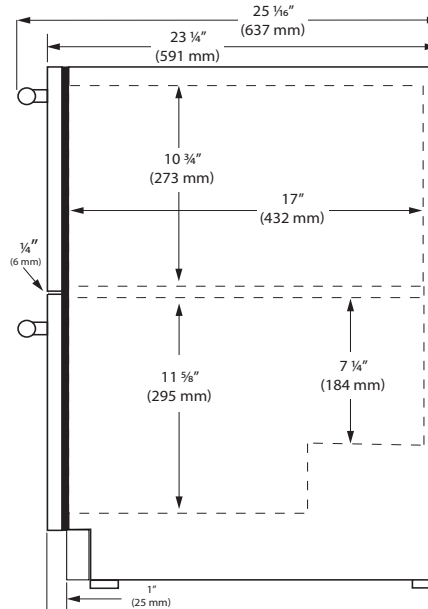
Model	Description	Finish	Shipping Weight
ULAFREESTANDS	Freestanding Kit	Stainless	3 lb

Dimensions

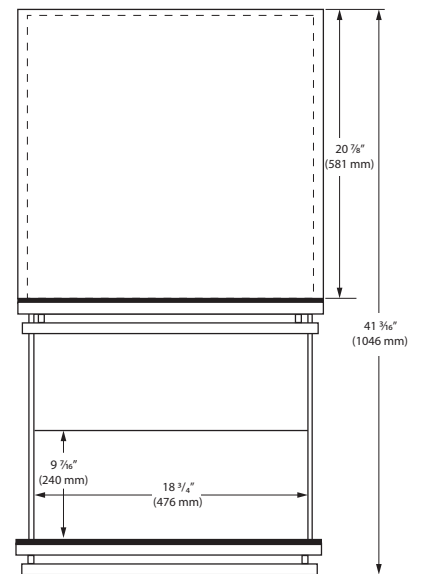
Front



Side



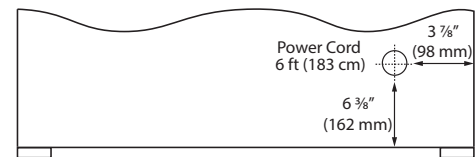
Top



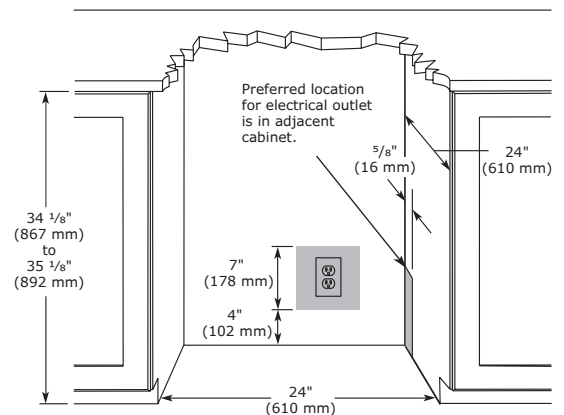
Specifications

Model	ODR124
Amps: Running	1.2
Capacity: Bottle (12 oz)	98
Capacity: Can (12 oz)	150
Capacity: Volume (cu ft)	5.4
Capacity: Wine Bottle (750 ml)	N/A
Dimensions: Product Depth	23 1/4" / 591 mm
Dimensions: Product Height	34" / 864 mm
Dimensions: Product Width	23 15/16" / 608 mm
Energy Consumption: Avg. Per Year	305 kWh
ENERGY STAR	N/A
Product Weight: Max	142 lb
Refrigerant Type:	R600a
Sabbath (Star K Certified)	Yes
Temperature Range	34°F - 60°F

Back



Cabinet Cut-Out



Warranty

- 1 Year (parts & labor) / 5 year sealed system (parts)
- **2 Year (parts & labor) / 5 year sealed system (parts) upgrade at no cost with product registration**



See complete warranty for details

Installation Notes

- No additional clearance is needed for ventilation
- Do not obstruct front grille air flow

