

Café™ 36" Built-In Touch Control Electric Cooktop

CEP90362NSS / CEP90361NBB

C A F É

DISTINCT BY DESIGN™



ADA COMPLIANT

ALSO AVAILABLE IN



CEP90361NBB
Black

FEATURES & BENEFITS

Boil water quickly in almost every pot - Tailor your burner size to your cookware with a 12"9"/6" element with Power Boil

More heat for more space - Evenly heat large cookware like griddles or dutch ovens by controlling two 7" synchronized elements with just the touch of a button

The perfect match for pots and pans of all sizes - Tailor your burner size to your cookware with an 9"7"/5" element that's powerful enough to boil water quickly

Cook more food. Entertain more possibilities. - Prepare more at the same time with five radiant cooking elements that deliver rapid, consistent heat

When you're updating your kitchen, attention to detail is a priority. That's why Café cooktops are guaranteed for an exact fit or Café Appliances will pay up to \$100 toward modifications

Keep dishes at ready-to-serve temperatures - Serve every dish at the perfect temperature thanks to a keep warm setting on a fully-functional 6" element

Melting just got more precise - Melt butter without browning it using the melt setting

Safety controls add peace of mind - Prevent unintended burner activation with control lock capability

Know what's hot and what's not - Keep your kitchen accident-free with a hot surface indicator light that shows you with a glance when elements are too hot to touch

APPEARANCE

Color Appearance	Black Ceramic Glass
Frameless	Yes

FEATURES

Cooktop Surface	Black Ceramic Glass with Beveled Edge
Cooktop Burner Type	5 Ribbon, Smoothtop
Element - Left Front	7" 1500W
Element - Left Rear	7" 1500W
Element - Right Front	9"7"/5" 3000W Power Boil
Element - Right Rear	6" 1200W
Element - Center	12"9"/6" 3600W Power Boil
Control Location	Front Center
Control Type	Glass Touch
Cooktop Control Features	Control Lock Capability, Keep-Warm Setting, Melt Setting, Sync-Burners Capability
Melt Setting	Yes
Indicator Lights	5 Hot Surface, Surface Element "ON" Red

WEIGHTS & DIMENSIONS

Approximate Shipping Weight	58 lb
Cabinet Width	36 in
Cooktop Size	36 in
Cutout Dimensions (Width x Depth) (In.)	33-7/8 x 19-1/8
Net Weight	51 lb
Overall Depth	21 in
Overall Height	3-3/8 in
Overall Width	36-1/8 in

POWER/RATINGS

Max. Connected Load (kW) at 208V	8.1
Max. Connected Load (kW) at 240V	10.8
Max. Current Draw (Amps) at 208V	39.0
Max. Current Draw (Amps) at 240V	45.0
Recommended Circuit Breaker (Amps) at 208V	50
Recommended Circuit Breaker (Amps) at 240V	50

ACCESSORIES

Griddle	Included
---------	----------

Café™ 36" Built-In Touch Control Electric Cooktop

CEP90362NSS / CEP90361NBB

CAFÉ

DISTINCT BY DESIGN™

WARRANTY

Parts warranty	Limited 1-year entire appliance
Labor warranty	Limited 1-year entire appliance
Warranty notes	See written warranty for full details

DIMENSIONS AND INSTALLATION

Important: Requires a 5" free area between the bottom of the cooktop to any combustible material, i.e., shelving. Free area not required when installing wall oven underneath cooktop. Requires a 15" minimum from cooktop to adjacent overhead cabinets. Units are furnished with a 48" flexible armored cable.

Note: 36" Ribbon cooktops are approved for use over select Café 30" Single Wall Ovens and Warming Drawers. Refer to cooktop and wall oven/warming drawer installation instructions packed with product for current dimensional data. If installed with a Telescopic Downdraft System, consult both the cooktop and downdraft installation instructions packed with product before installing. Cooktop gas/electric supply may need to be re-routed to install downdraft. The countertop cutout requires 23-1/2" minimum flat countertop surface and 25" minimum total countertop depth. In addition, other clearances to front edge of the countertop must be considered.

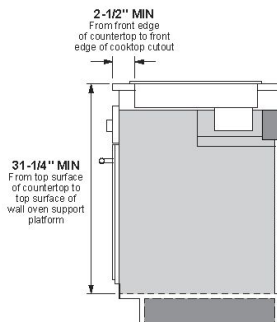
Before installing, consult installation instructions packed with product for current dimensional data.

Voltage (60HZ AC)	240V	208V
Connected load (max.)	10.8Kw	8.1Kw
Current draw (max.)	45.0 Amps	39.0 Amps
Recommended circuit breaker*	50 Amps	50 Amps

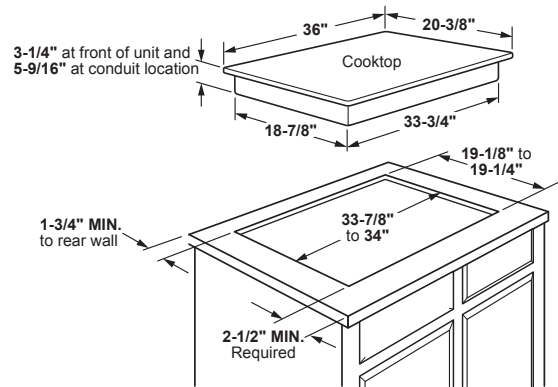
Note: Check local codes for required breaker size.

Installation above a wall oven

INSTALLATION ABOVE A WALL OVEN



Approximate Cooking Dimensions



To insure accuracy, it is best to make a template when cutting the opening in the counter

