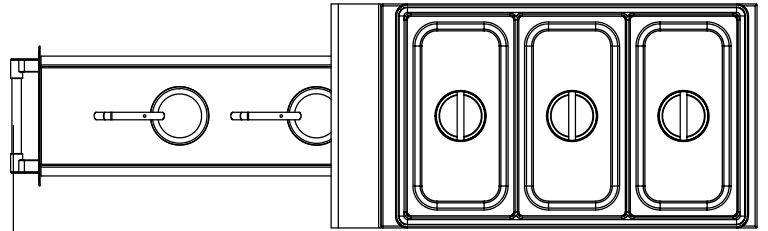
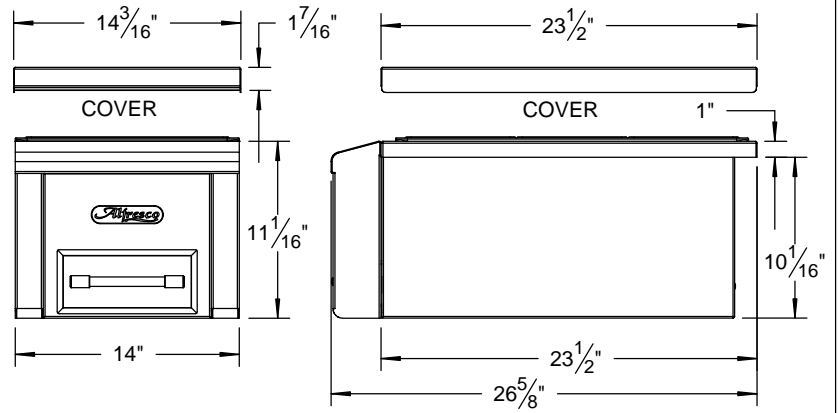


AXEFW TYPICAL INSTALLATION



COUNTERTOP CUTOUT REQUIREMENTS

