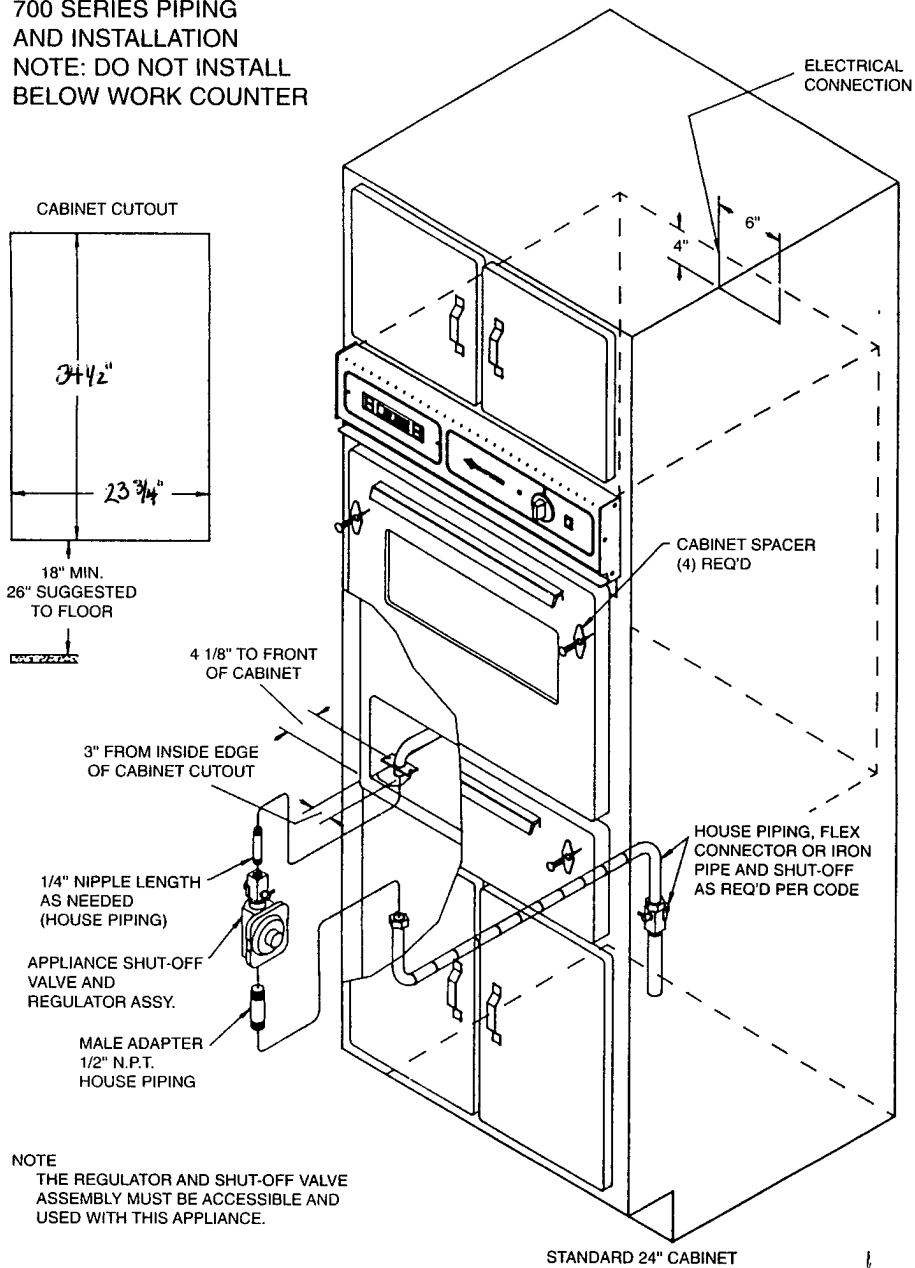


# INSTALLATION INSTRUCTIONS BUILT-IN GAS AND ELECTRIC RECESSED WALL OVENS

700 SERIES PIPING  
AND INSTALLATION  
NOTE: DO NOT INSTALL  
BELOW WORK COUNTER



## SAVE THESE INSTRUCTIONS

## GAS RECESSED WALL OVEN

Slide the oven unit into the cabinet recess as shown in the diagram. Secure the oven unit to the cabinet with wood screws. Be sure to use the cabinet spacer with the wood screw as a "washer" between the wood cabinet and the oven front frame.

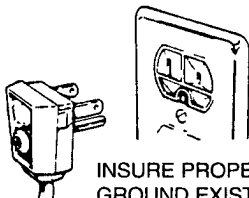
The recess in which the oven is installed shall be constructed so as to provide a complete closure around the recessed portion of the unit and any openings around gas and electrical service outlets **MUST** be closed at time of installation. **The installation must conform with local codes. In the absence of local codes, the National Fuel Gas Code Z223.1 latest edition.**

**A MANUAL GAS VALVE MUST BE INSTALLED IN AN ACCESSIBLE LOCATION IN THE GAS LINE EXTERNAL TO THE UNIT FOR THE PURPOSE OF TURNING ON OR SHUTTING OFF GAS TO THE UNIT.**

### WARNING

#### ELECTRICAL GROUNDING INSTRUCTIONS

This appliance is equipped with a three prong grounding plug for your protection against shock hazard and should be plugged directly into a properly grounded receptacle. Do not cut or remove the grounding prong from this plug.



INSURE PROPER  
GROUND EXISTS  
BEFORE USE.

## ELECTRIC RECESSED WALL OVEN

With the oven positioned in front of the cabinet opening, connect the leads extending from the conduit to the junction box.

Check all connections to see that they are tight and have not become loosened during transit.

After the above mentioned wire connections have been made at the junction box, secure the oven unit to the cabinet with wood screws. Be sure to use the cabinet spacer with the wood screw as a "washer" between the wood cabinet and the oven front frame.

### POWER CONNECTIONS TO APPLIANCES

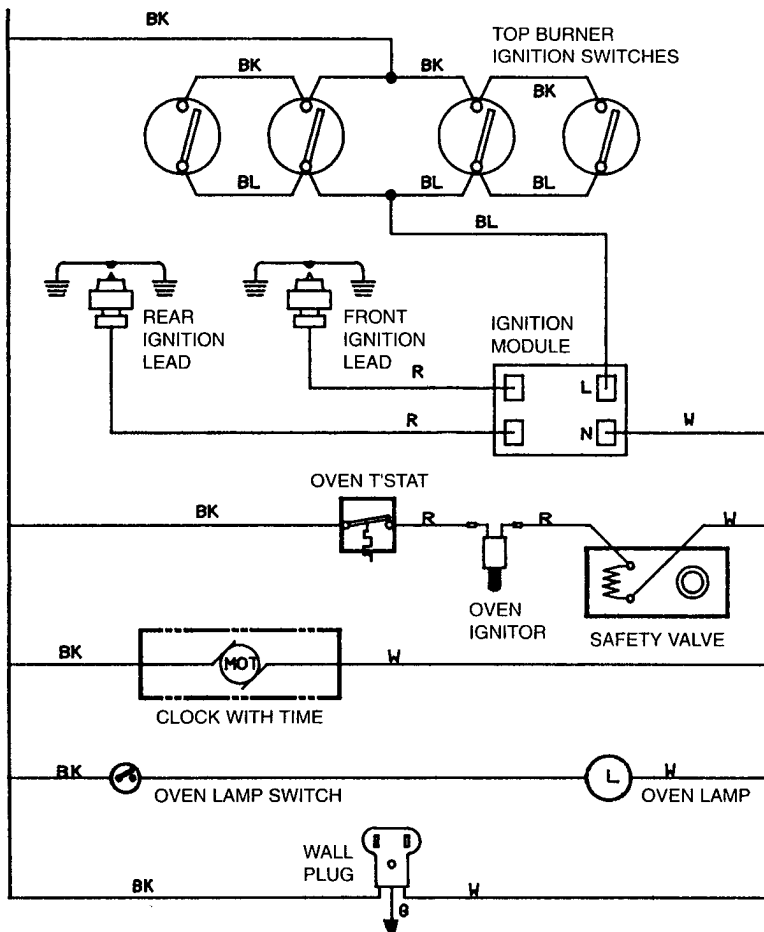
We suggest that you have the dealer where you purchased your new oven unit install it or have him arrange installation by a qualified electrician. Installation must conform with local codes. In addition, installation must conform with the National Electric Code NFPA70 latest edition.

**WARNING**—Be sure electric power is OFF at the fuse (breaker) box until the unit is installed and ready to operate. See appliance rating plate for maximum K.W. and amperage ratings.

### INSTALLATION

It is the responsibility of your installer to make certain that your oven unit is properly installed. Situations caused by improper installations are not covered under the warranty. Any expenses incurred due to such situations will not be paid by the manufacturer of the appliance.

## WIRING DIAGRAM FOR GAS SURFACE UNITS AND WALL OVENS



REFER ONLY TO FEATURES WHICH ARE EQUIPPED ON YOUR RANGE

**WARNING-ELECTRICAL GROUNDING INSTRUCTIONS:**

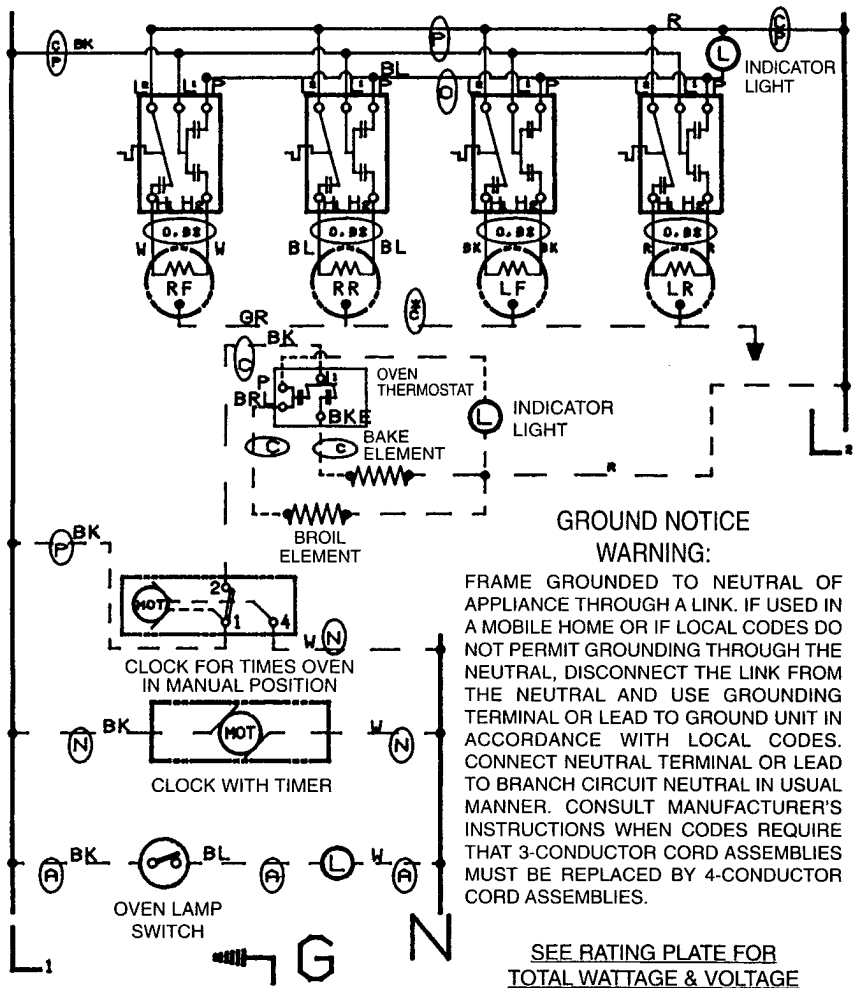
THIS APPLIANCE IS EQUIPPED WITH A THREE-PRONG GROUNDING PLUG FOR YOUR PROTECTION AGAINST SHOCK HAZARD AND SHOULD BE PLUGGED DIRECTLY INTO A PROPERLY GROUNDED THREE-PRONG RECEPTACLE. DO NOT CUT OR REMOVE THE GROUNDING PRONG FROM THE PLUG.

180-6C89 REV. 1

**FLEXIBLE CONNECTORS** - If the gas range/oven is connected to a gas supply with a metal flexible connector, move the range/oven with **CAUTION** for service or cleaning. Flexible connectors are not intended for repeated bending. Do not allow cleaners to make contact with flexible connectors.

**The connector and its fittings are designed for use only on the original installation and are not to be reused for another appliance or at another location. Connectors must comply with ANSI Z21.24.**

# WIRING DIAGRAM FOR ELECTRIC RANGES



**GROUND NOTICE**  
**WARNING:**  
 FRAME GROUNDED TO NEUTRAL OF APPLIANCE THROUGH A LINK. IF USED IN A MOBILE HOME OR IF LOCAL CODES DO NOT PERMIT GROUNDING THROUGH THE NEUTRAL, DISCONNECT THE LINK FROM THE NEUTRAL AND USE GROUNDING TERMINAL OR LEAD TO GROUND UNIT IN ACCORDANCE WITH LOCAL CODES. CONNECT NEUTRAL TERMINAL OR LEAD TO BRANCH CIRCUIT NEUTRAL IN USUAL MANNER. CONSULT MANUFACTURER'S INSTRUCTIONS WHEN CODES REQUIRE THAT 3-CONDUCTOR CORD ASSEMBLIES MUST BE REPLACED BY 4-CONDUCTOR CORD ASSEMBLIES.

SEE RATING PLATE FOR TOTAL WATTAGE & VOLTAGE

REFER ONLY TO FEATURES WHICH ARE EQUIPPED ON YOUR RANGE  
USE COPPER WIRE ONLY

**GAUGE CODE**

- |        |        |        |
|--------|--------|--------|
| (A) 18 | (B) 16 | (C) 14 |
| (N) 18 | (D) 16 | (P) 14 |

184-6C076

REV. 3