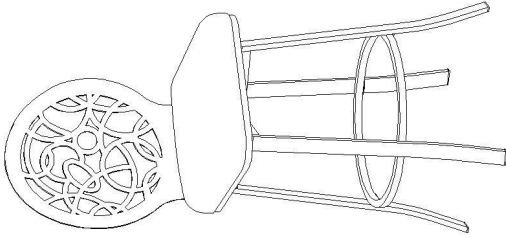


ASSEMBLY INSTRUCTION

Thanks for buying our products.
Please study the diagram before assembling.
(Note: please don't fasten the screws before attaching all the screws.)



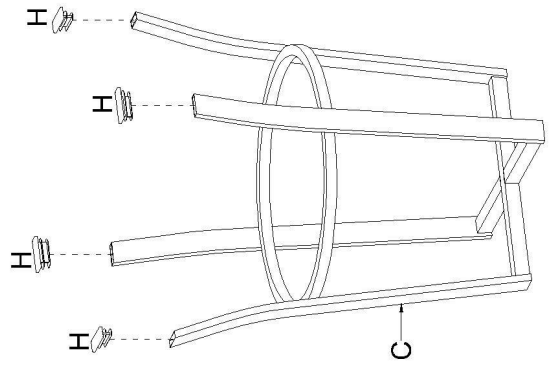
PARTS LIST

NO.	DESCRIPTION	Q'ty
A	Cushion	1
B	Seat frame	1
C	Base	1
D	Swivel	1

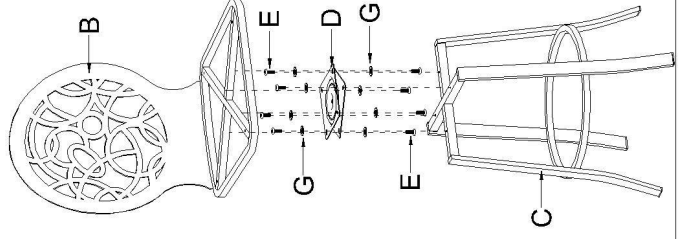
HARDWARE LIST

NO.	DESCRIPTION	Q'ty
E	Screw $\varnothing\frac{1}{4} \times \frac{1}{2}$	8
F	Wood Screw $\varnothing\frac{3}{16} \times 1\frac{1}{4}$	4
G	Flat washer $\varnothing\frac{1}{4}$	8
H	Stopper 13x38	4
I	Allen wrench M4	1

Step1



Step2



Step3

