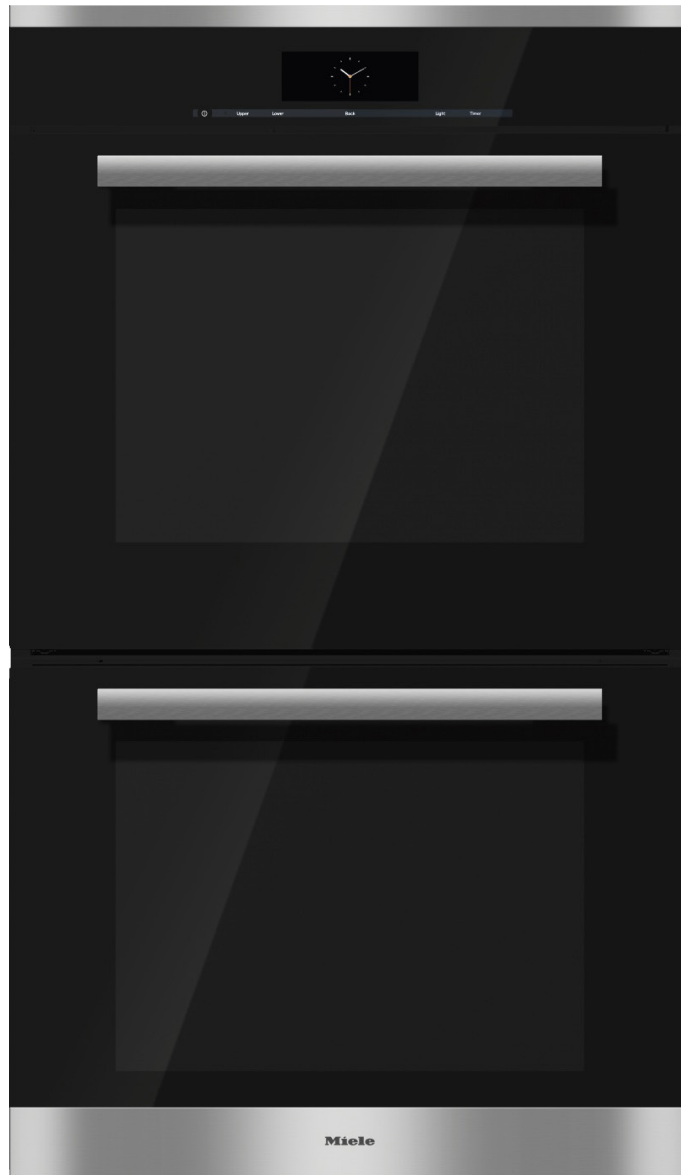
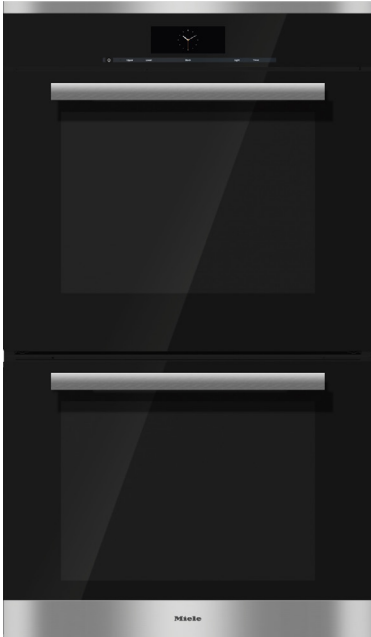


PureLine
30" Double Convection Oven

H 6880 BP2



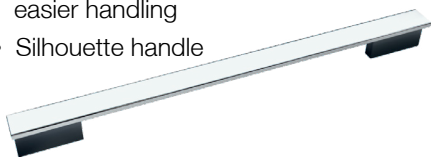
PureLine 30" Double Convection Oven H 6880 BP2



H 6880 BP2

Features:

- M Touch controls are both easy-to-operate and navigate. An intuitive swipe of the screen will quickly lead you to your desired selection
- Self Clean Oven
- 19 Operating Modes including Moisture Plus (plumbed only) — through increasing the humidity in the oven you can perfect your results e.g. crusty, glossy breads, juicy meats
- MasterChef Plus - fully functional automatic programs to create 15 different types of bread at home
- MasterChef menu offers over 100 food types to cook to perfection
- Wireless Roast Probe for safe, easy handling and perfect roasting results
- Favorites - up to 20 recipes
- Sabbath Program
- CleanGlass Door - for easier cleaning and superior design
- TwinPower Fans provide optimum and even distribution of hot air
- Soft Open and Soft Close for an easier handling
- Silhouette handle



SPECIFICATIONS

H 6880 BP2 — Item 22688055USA

Overall Unit Width - Excluding Fascia Dimension	28 ⁷ / ₁₆ " (722 mm)
Overall Height - Excluding Fascia Dimension	49 ⁵ / ₁₆ " (1252 mm)
Overall Unit Depth - Excluding Fascia Dimension	23 ³ / ₄ " (603 mm)
Oven Door Clearance	22" (558 mm)
Overall Fascia Dimensions	29 ¹³ / ₁₆ " (757 mm) W x 51 ⁹ / ₁₆ " (1308 mm) H x 7 ⁷ / ₈ " (23 mm) D

Built-In

Minimum Cabinet Width	28 ¹ / ₂ " (724mm)
Minimum Cabinet Depth	24" (610mm)
Minimum Cabinet Opening Height	51 ¹ / ₈ " (1298mm)
Minimum Base Support	410 lbs
Additional Cut-Outs Required	Cut-out 4" x 28" (100 mm x 720 mm) in the bottom of the cabinet for power cord and ventilation

Plumbing

Plumbing Requirements	An Inline water filter, like activated carbon, is required to reduce mineral deposits. Do not connect to a Reverse Osmosis (RO) water system. Connect to a cold water supply only. Must be connected to a shut-off valve. The water shut-off valve must be accessible after installation. The water pressure must be between 14.5 and 145 psi (1 and 10 bars). If the pressure is higher, install a pressure-reducing valve. The supplied hose has a length of 4' 11" (1.5 m). The hose must not be shortened. The entire hose length must not exceed 24'7" (7.5 m).
Plumbed Hose Connection	Supplied hose: flexible braided 4'11" (1.5 m) with 3/8" compression fitting for connection to a shut off valve.

Electrical

Electrical Requirements	120/240V 50A 60 Hz circuit 120/208V 50A 60 Hz circuit
Power Cord	NEMA 14-50 plug 5' 6" (1.7 m)

Shipping

Shipping Weight	380 lbs
Shipping Dimensions	32 ⁷ / ₈ " W x 57 ¹ / ₁₆ " H x 30 ¹ / ₂ " L

Support

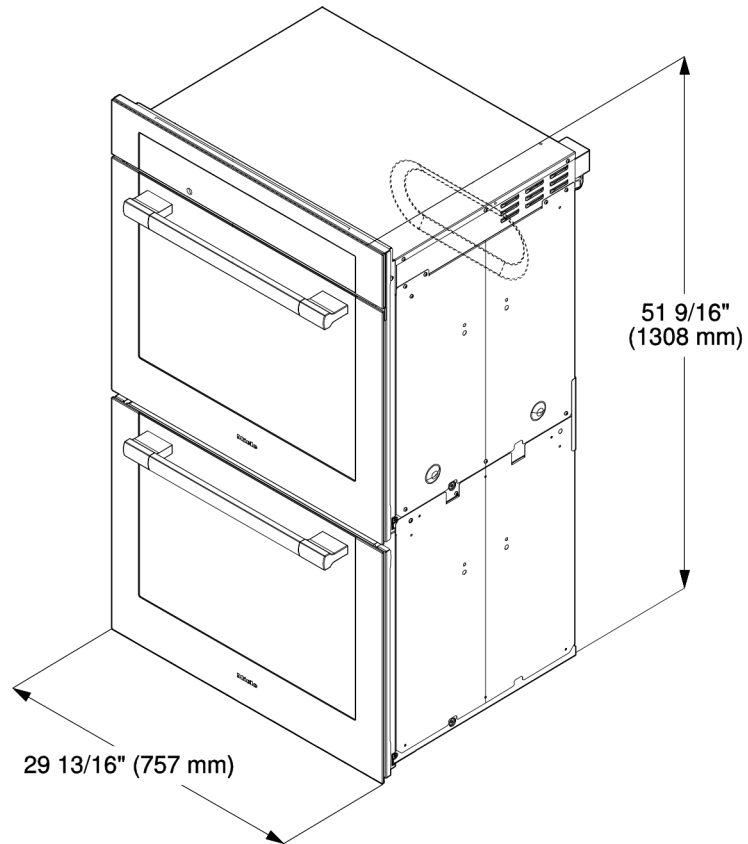
Call Miele	800.999.1360
Miele Website	www.mieleusa.com
20/20 Link	2020technologies.com

PureLine 30" Double Convection Oven H 6880 BP2

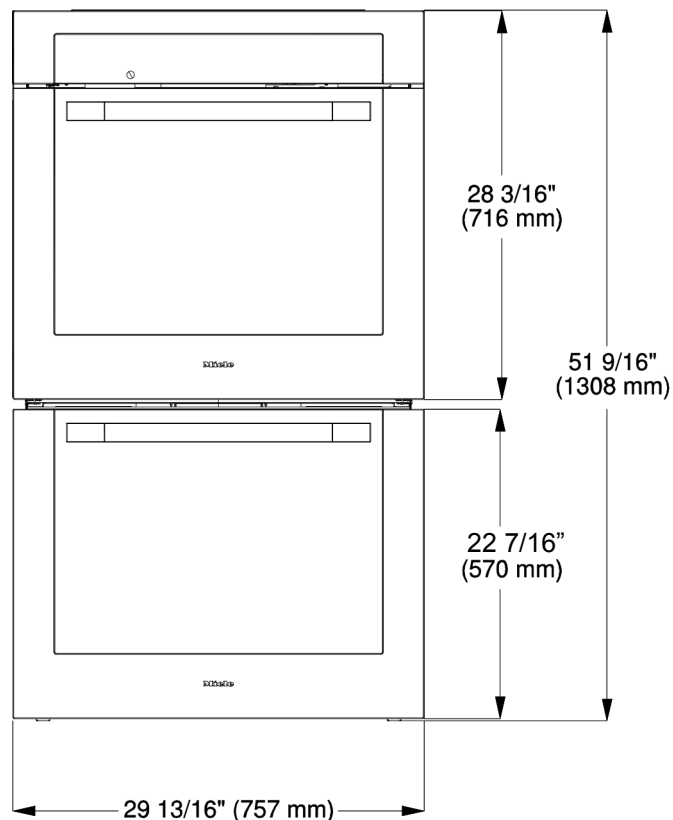


PRODUCT VIEWS

Isometric View



Front View



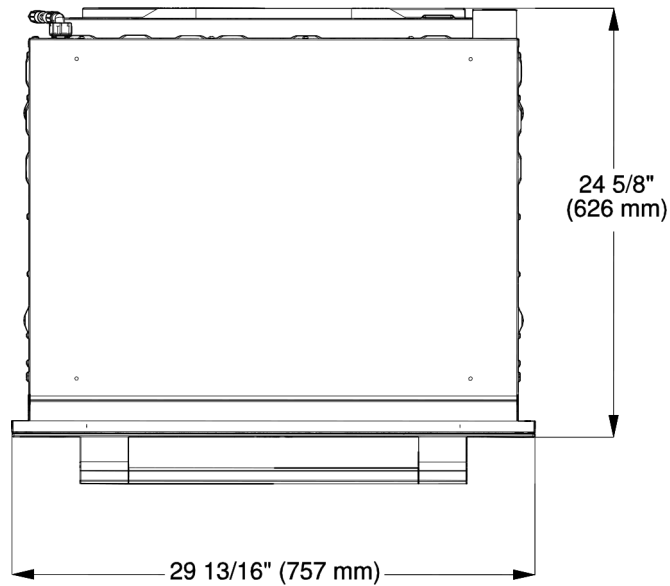
Please note the H 6780 BP2 is shown

PureLine 30" Double Convection Oven H 6880 BP2

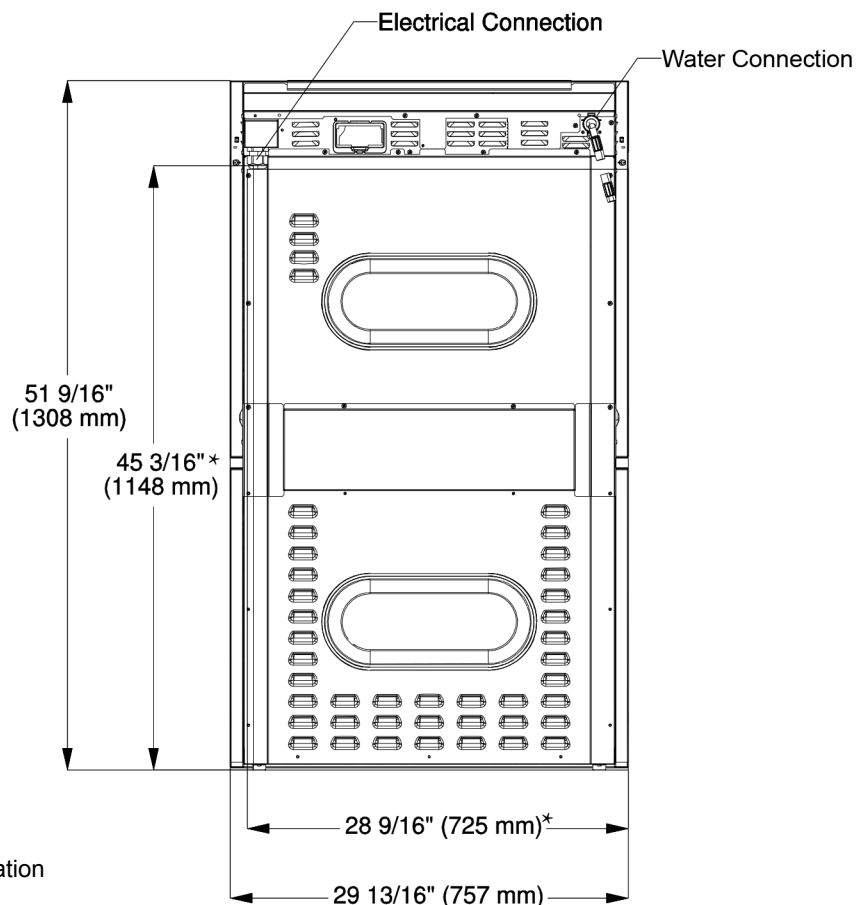


PRODUCT VIEWS

Top View



Rear View



*Electrical Connection Location

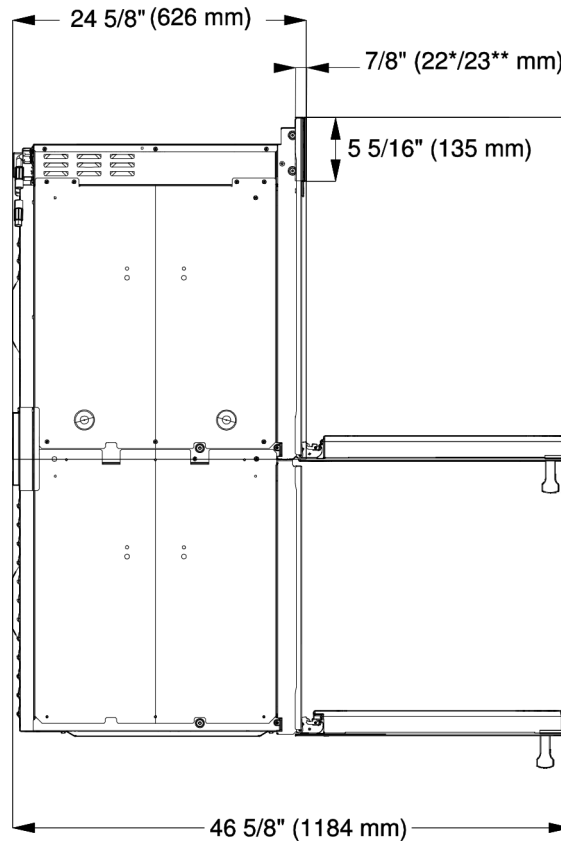
Please note the H 6780 BP2 is shown

PureLine 30" Double Convection Oven H 6880 BP2



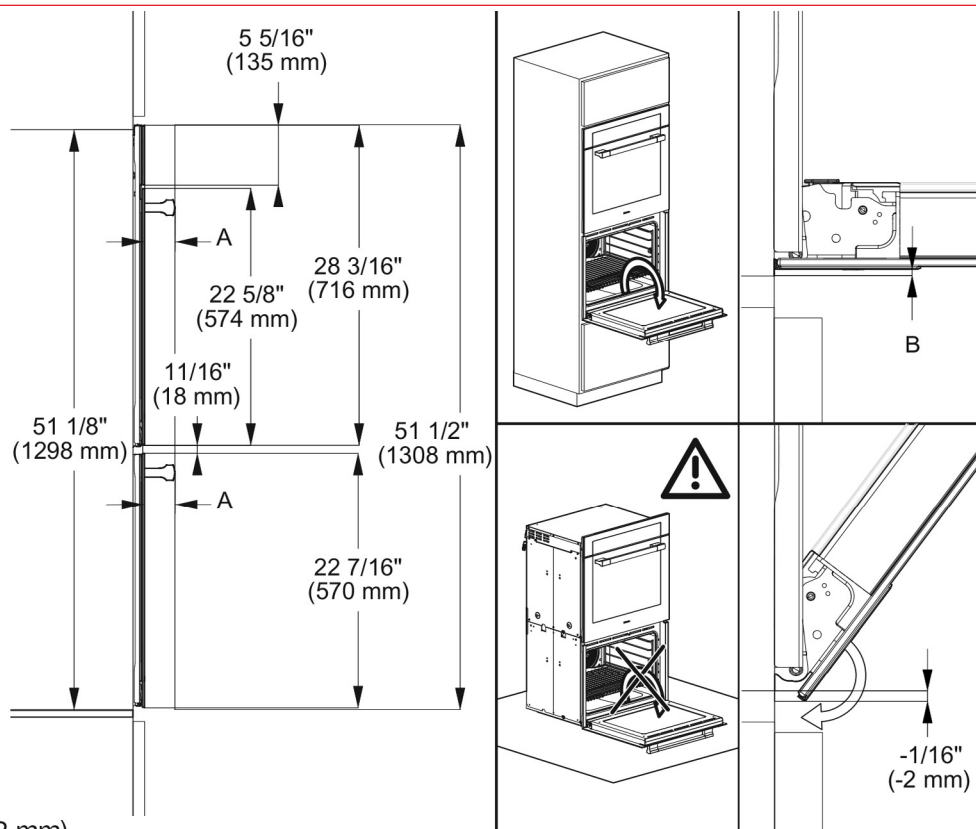
PRODUCT VIEWS

Side View



* Oven with glass front
** Oven with metal front

Door Swing Detail



A H6880BP2: 1 5/8" (42 mm)

B Oven with glass front: 1/16" (2.2 mm)

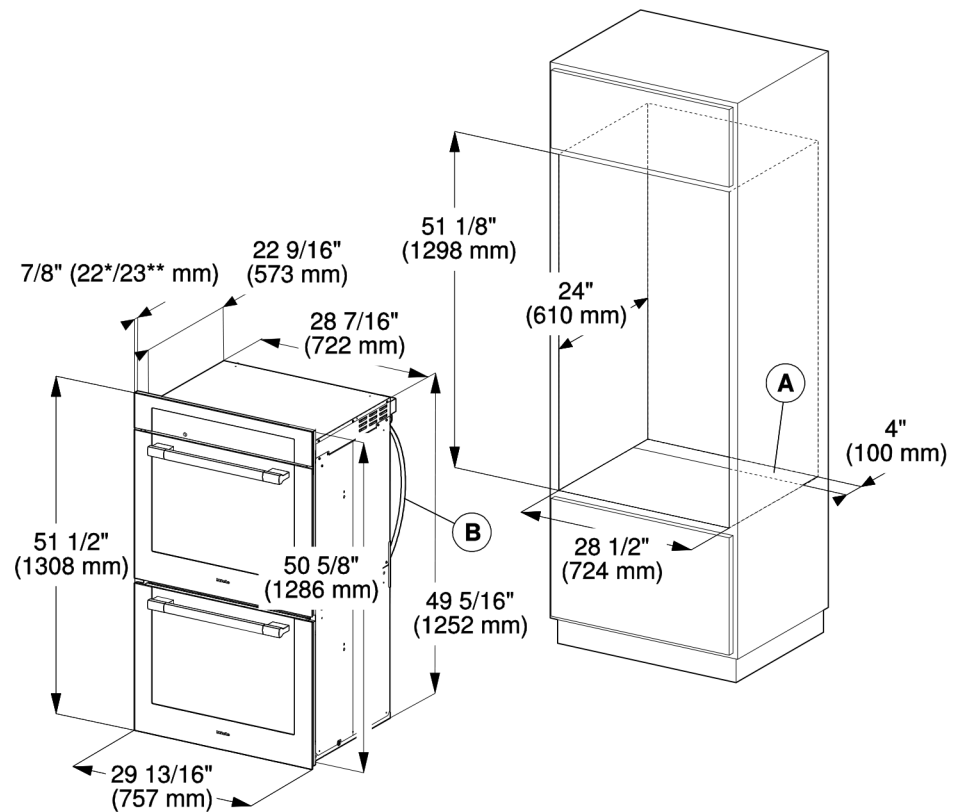
Please note the H 6780 BP2 is shown

PureLine 30" Double Convection Oven H 6880 BP2



INSTALLATION SPECIFICATIONS

Installation Niche



* Oven with glass front
** Oven with metal front

Ⓐ Cutout (4" x 28" / 100 mm x 720 mm) in the bottom of the cabinet for power cord and ventilation

Ⓑ Power cable with plug

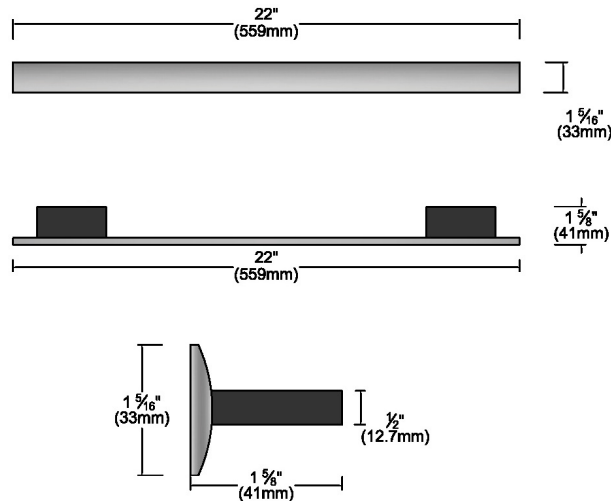
Please note the H 6780 BP2 is shown

PureLine 30" Double Convection Oven H 6880 BP2



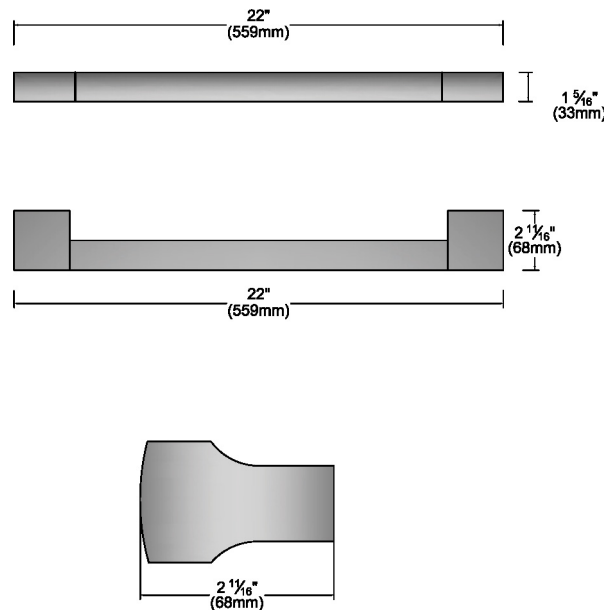
HANDLE DETAILS

All Miele Signature And PureLine
Handle Dimensions



Please note hinges may require adjusting or replacing when changing from a ContourLine Handle to a PureLine or Miele Signature Handle.

All ContourLine Handle
Dimensions



Please note hinges may require adjusting or replacing when changing from a PureLine or Miele Signature Handle to a ContourLine Handle.