



# 30-INCH REFRIGERATOR COLUMN, PANEL-READY

DRR30990RAP  
DRR30990LAP



## PRODUCT FEATURES

- Porcelain interior walls, door liners, and drawer fronts maintain freshness and repels stains
- Full height door with true flush cabinet integration without exposed venting grille
- Push-To-Open™ Door Assist opens the door upon a slight push for a luxuriously convenient experience
- Internal Water Dispenser for easy access to clean, filtered water
- iQ RemoteView™ Cameras (Wi-Fi) enables users to check what's in your fridge from your phone

## TEMPERATURE RANGES

REFRIGERATOR	34°F (1°C) TO 44°F (7°C)
REFRIGERATOR - POWER COOL	34°F (1°C)
FRESHZONE™ DRAWER	37°F (3°C) / 33°F (1°C)/29°F (1°C)

## DIMENSIONS & WEIGHT

APPLIANCE DIMENSIONS (H X W X D) (IN.)	83 3/8" X 29 5/8" X 23 13/16"
REQUIRED CUTOUT SIZE (H X W X D) (IN.)	84" X 30" X 25"
NET WEIGHT (LBS)	591

## GENERAL PROPERTIES

PANEL READY	YES
PUSH-TO-OPEN™ DOOR ASSIST	YES
INTERNAL WATER DISPENSER	YES
IQ REMOTEVIEW™ CAMERA	YES (2 EA)
DEODORIZING FILTER	YES
LIGHTING	3DLIGHTING™
INTERIOR MATERIAL	PORCELAIN
FULL WIDTH SHELVES	4 EA
SHELF MATERIAL	TEMPERED, METAL TRIM, SPILL-PROOF
FULL EXTENSION DRAWERS AT 90° DOOR OPENING ANGLE	YES
FRESHZONE™ DRAWER	YES - CHEESE (37°F) / COLD DRINKS (33°F) / MEAT (29°F)
CRISPER DRAWERS	2 EA
DOOR BINS	4 EA
DOOR OPEN ALARM	YES
SPECIAL MODES	SABBATH MODE

## CAPACITY

TOTAL UNIT GROSS CAPACITY (CU.FT.) - AHAM	17.8 CU. FT.
REFRIGERATOR GROSS CAPACITY (CU.FT.)	17.8 CU. FT.

## PERFORMANCE

DEDICATED EVAPORATOR & COMPRESSOR SYSTEM	YES
POWER COOL	YES
PRECISE COOLING	YES

## EFFICIENCY

ENERGY STAR QUALIFIED	YES
ANNUAL ENERGY CONSUMPTION	280 KWH/YEAR

## TECHNICAL DETAILS

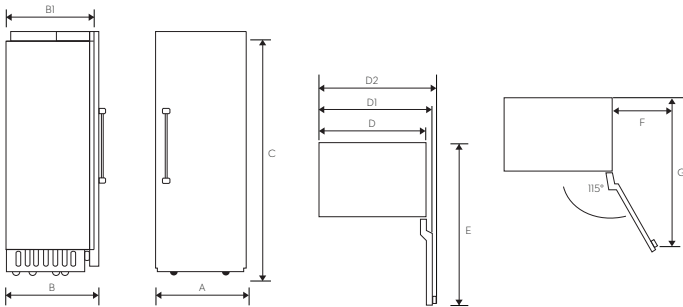
CURRENT (A)	3
VOLTS (V)	115
FREQUENCY (HZ)	60
POWER CORD LENGTH (IN.)	78 3/4"
PLUG TYPE	120 V, 3 PRONG

## WARRANTY

LIMITED, ENTIRE APPLIANCE, PARTS AND LABOR ON ANY PART OF THE REFRIGERATOR	2 YEAR
LIMITED WARRANTY FOR SEALED REFRIGERATION SYSTEM; PARTS AND LABOR	3RD TO 6TH YEAR
LIMITED WARRANTY FOR SEALED REFRIGERATION SYSTEM; PARTS ONLY	7TH TO 12TH YEAR
LIMITED WARRANTY FOR COMPRESSOR; PARTS ONLY	13TH TO 15TH YEAR

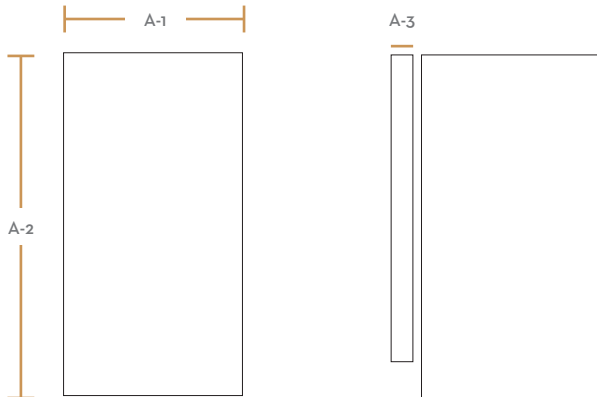
### APPLIANCE DIMENSIONS

A (WIDTH)	29 3/4" (756 MM)
B (WITH PANEL)	25" (635MM)
B1 (WITHOUT PANEL)	23 13 /16" (605MM)
C (HEIGHT)	83 3 /8" (2118 MM)
D	29 5/8" (752 MM)
D1 (TO FRONT OF PANEL)	30 7/8" (783 MM)
D2 (WITH MODERNIST HANDLE)	30 - 33 3/8" (848 MM)
D3 (WITH PRO STYLE HANDLE)	30 - 32 3/4" (832 MM)
E	56 11/ 16" (1440 MM)
F	16 9/16" (421 MM)
G	55 5 /16" (1404 MM)



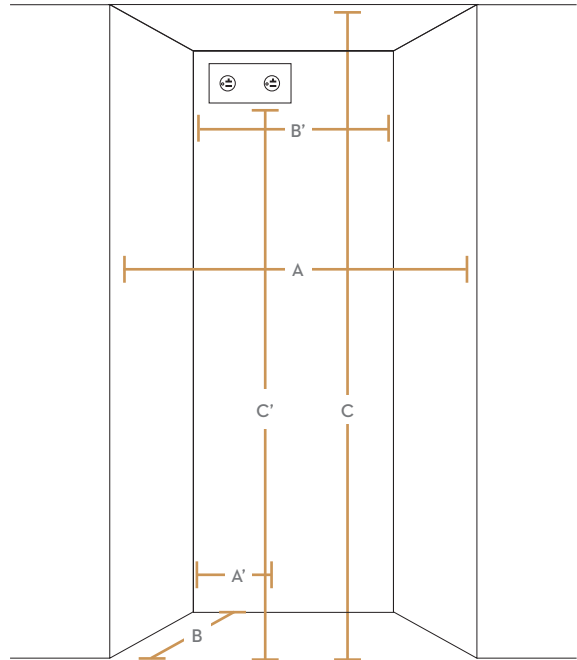
### CUSTOM PANEL DIMENSIONS

A-1 (WIDTH)	29 3/4" (756MM)
A-2 (HEIGHT)	79 7/8" (2,029MM)
A-3 (DEPTH)	3/4" (19MM)
MAX WEIGHT	88.0 LBS. (40KG)



### INSTALLATION CUTOUT DIMENSIONS

A (WIDTH)	30" (762MM)
B (DEPTH)	25" (635MM)
C (HEIGHT)	84" (2,134MM)
A'	6" (152MM)
B'	20" (508MM)
C'	80" (2,032MM)



### 30" PANEL KIT ACCESSORIES

MODERNIST - GRAPHITE STAINLESS STEEL, (LEFT)	RAC30AMLHMS
MODERNIST - SILVER STAINLESS STEEL, (LEFT)	RAC30AMLHSR
PRO KIT - SILVER STAINLESS STEEL, (LEFT)	RAC30AHLHSR
MODERNIST - GRAPHITE STAINLESS STEEL, (RIGHT)	RAC30AMRHMS
MODERNIST - SILVER STAINLESS STEEL, (RIGHT)	RAC30AMRHSR
PRO KIT - SILVER STAINLESS STEEL, (RIGHT)	RAC30AHRHSR

### COLUMN ACCESSORIES

COLUMN EPICURE HANDLE	ADRRZHIE
COLUMN PAIRING KIT	RAC00CPAAAA
WATER FILTER	RAC00WFAAAA
DEODORIZING FILTER	RAC00DFAAAA