

MRB 3600

36"

36" Monolith Refrigerator - Fully Integrated, panel ready



Bio Fresh Plus

Infinity Light

Soft System

Soft Telescopic

Smart Device



Energy consumption (kWh/y)	325
Estimated Yearly Energy Cost in US \$*	39
Sound rating dB(A)**	39
Refrigerator capacity cu.ft. (l)	18.9 (535)
BioFresh/BioFresh-Plus comp. cu.ft. (l)	8.3 (236)
Number of shelves	4
Number of door racks	3
Number of BioFresh/BioFresh-Plus drawers	2 / 1 with LED lighting
Electronic control	InfinitySwipe
Refrigerator temperature range °F (°C)***	+36°F to +45°F (+2°C to +7°C)
Defrost type	automatic
Interior light	InfinityLight
Internal Water Dispenser	InfinitySpring
Water filter	yes
Door hinges	right, reversible
Product dimensions	
in inch (H/W/D)	83 3/4" / 35 13/16" / 24"
in cm (H/W/D)	212.6/90.9/61
Cut out dimensions	
in inch (H/W/D)	84" / 36" / 25"
in cm (H/W/D)	213.4/91/63.5
Net weight lbs. (kg)	385.8 (175.0)
Voltage V/Hz	115/60

Features & Benefits

SuperQuiet: Noise levels are kept to a minimum thanks to virtually silent, speed-controlled, and sound absorbing compressors.

BioFresh-Plus: Creates independent climates within your refrigerator, foods retain their vitamins, aromas and appetizing appearance for significantly longer than in conventional refrigerators.

InfinitySwipe: Intuitive electronic touch-control panel features a full-color 3.5-inch touch & swipe screen that allows you to control every function.

InfinityLight: Casts beautiful and even side lighting that can be tuned according to personal taste, including a soft brightening effect upon opening the doors.

SuperCool: Quick chill just-bought groceries to preserve optimum food freshness, while sealing in flavors and maintaining essential vitamins and minerals.

InfinitySpring: Seamlessly integrated flush-mounted internal water dispenser that's there when you need it, and virtually invisible when you don't.

PowerCooling: Allows cool moist air flow into the BioFresh chambers and cold air to circulate behind the door, so items stored in the door remain as cold as everything else in the refrigerator.

Warranty terms

Full 2-Year Warranty, full 5-Year Warranty in the Sealed System and limited 6-12 Year Warranty.

Available Accessories

- 9901 458 Stainless steel Door Panel 36"
- 9901 461 Monolith brushed aluminum square handle
- 9901 489 Monolith stainless steel round handle
- 9901 492 Monolith brushed aluminum soft-edge handle
- 9902 349 Stainless steel Toe Kick 36"
- 9096 342 Air filter
- 7440 002 Water filter
- 9902 399 Reverse door kit

Accessories for Side-by-Side installation

- 9901 428 Side-by-Side kit (includes wall heater)
- 9902 366 Stainless steel Toe Kick 60"
- 9902 390 Stainless steel Toe Kick 72"

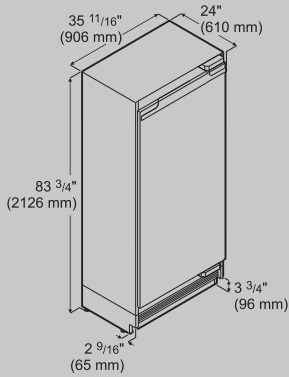
* Estimated energy cost will depend on utility rates and use. Estimated energy cost based on a national average electricity cost of 12 cents per kWh.

** Noise output – according to EN 60704-3.

*** BioFresh bins temperatures 32°F (0°C), BioFresh-Plus bin 28°F (-2°C) or 32°F (0°C).

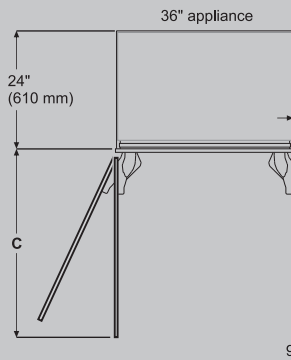
LIEBHERR

Product Dimensions



IMPORTANT!
Stated minimum height dimensions include when the leveled feet are fully inserted.

Height can be increased by a maximum of 1" (26 mm) by turning the adjustable feet. When the appliance is fitted in the recess, the appliance must be raised by turning the adjustable feet so that the appliance top has contact with the anti-tipping bracket. This results in a 4" (102 mm) Toe Kick height.



Inset

- A = 15 3/4" (400 mm)
- B = 1/2" (12.5 mm)
- C = 37 7/8" (962 mm)

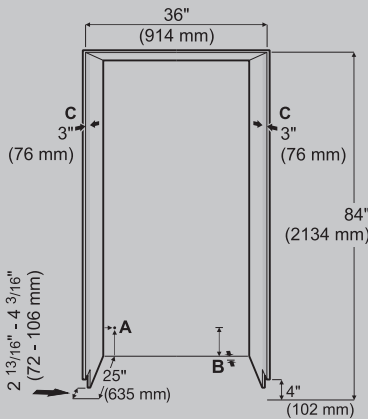
Frameless

- A = 16" (416 mm)
- B = 1/2" (12.5 mm)
- C = 38 3/8" (975 mm)

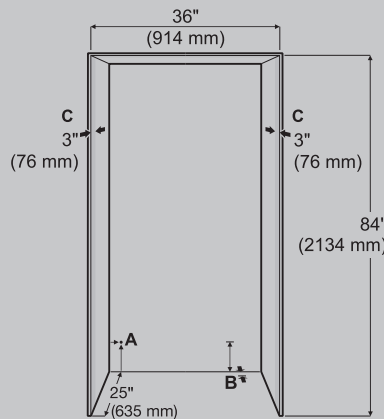
115° Dimension A = without mounted door handle

Cut out Dimensions

Continuous Toe Kick



Individual Toe Kick



A

This is the point where the power cord exits from the appliance rear. 3/4" (19 mm) from the left and 5" (127 mm) from the floor. Free length of the power cord is 98" (2.5 m).

We recommend power outlet to be placed outside of the appliance opening.

A 15 or 20 A, 110-120 VAC circuit grounded and protected by a circuit breaker or fuse is required.

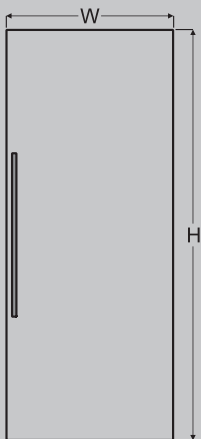
B

The appliance has a recess in this area for cable and waterline laying. 1" (25 mm) in depth and 5 1/2" (140 mm) in height over the whole width of the appliance. With the water filter installed, the pressure must be 40-90 psi, without the water filter installed the acceptable pressure is 22-87 psi. A shut-off valve must be installed between the water line and the main water supply. It must be easily accessible so the water supply can be stopped immediately if necessary.

C

This surface is visible when the appliance door is open. Designed finish is required.

Door Panel Dimensions



36" recess

Inset installation style

- H = 79 7/8" (2029 mm)
- W = 35 3/4" (908 mm)

Frameless installation style

- H = 80" (2032 mm) Add overlapping dimension to the panel on the top.
- W = 36" (914 mm) Add overlapping dimension to the panel on both sides.

- Min. suggested panel thickness = 5/8" (16 mm)
- Max. suggested panel thickness = 1" (25.4 mm)
- Max. panel weight = 88 lbs. (40 kg)

Specifications are for planning purposes only. For more detailed information refer to installation instructions or Design Guide. Liebherr reserves the right to change product specifications without notice. Other product downloads are available at home.liebherr.com/monolith.