

# NE58R9311SS

SAMSUNG

## Samsung 4 Element Slide-In Electric Range

5.8 cu. ft. Capacity



### Signature Features

#### 5.8 cu. ft. Large Capacity

- Cook multiple dishes at once or accommodate larger items for the holidays

#### Flexible Dual Elements

- Two dual ring elements, 6" and 9", offer flexibility that makes it easy to fit various sizes of pots and pans

#### Glass Touch Controls

- Premium touch controls that are easy to use

### Available Color



Stainless Steel (shown)



Flexible Dual Elements



Glass Touch Controls

### Features

- Flexible Cooktop – 4 Electric Elements
  - Two Dual Elements (6"/9")
  - Two Single Elements (6")
- Large Oven Capacity: 5.8 cu. ft.
- Glass Touch Controls
- Slide-In Design
- Wide View Window
- Storage Drawer
- Flat Handle

### Convenience

- Hidden Bake Element
- Self + Steam Clean
- 2 Chrome Oven Racks
- Auto Oven Light
- Keep Warm
- Sabbath Mode
- Kitchen Timer
- Delay Start
- Auto Shut-Off Option
- Child Safety Lock

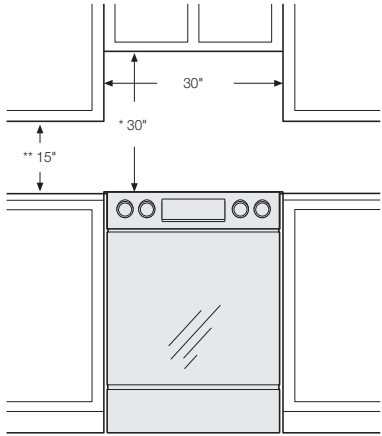
# NE58R9311SS

SAMSUNG

## Samsung 4 Element Slide-In Electric Range

5.8 cu. ft. Capacity

### Installation Specifications



\*30" minimum clearance between the top of the cooking surface and the bottom of an unprotected wood or metal cabinet; or 24" minimum when the bottom of the wood or metal cabinet is protected by not less than 1/4" of flame retardant millboard covered with not less than no.28 MSG sheet steel, 0.015" stainless steel, 0.024" aluminum, or 0.020" copper.

\*\*15" minimum between the countertop and the adjacent cabinet bottom.

IMPORTANT: Consult with Installation Manual for detailed instructions before installing. All ranges must be installed with the Anti-Tip device that is included.

### Power Source

240V/60 Hz/40A

### Electric Ceramic Cooktop

- Right Front: 6"/9" Dual Element, 3000W
- Left Front: 6"/9" Dual Element, 3000W
- Right Rear: 6", 1200W
- Left Rear: 6", 1200W

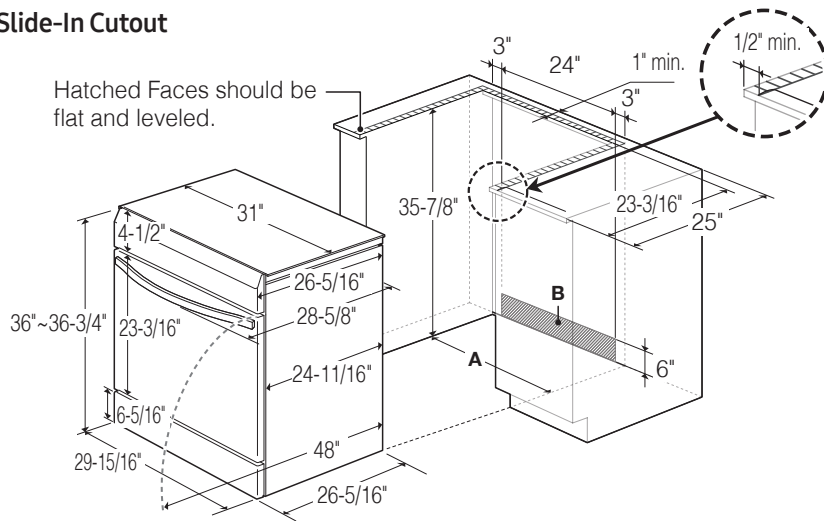
### Oven

- Capacity: 5.8 cu. ft.
- Hidden Bake Element
- Bake: 175°F - 550°F
- Variable Broil: (Low - High)
- Keep Warm
- Sabbath Mode

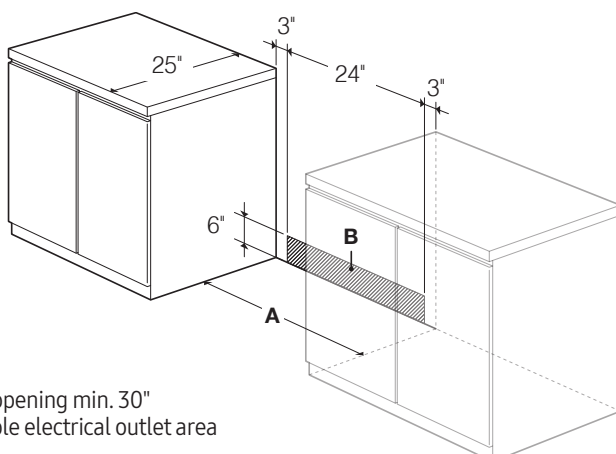
### Storage Drawer

- Capacity: 0.7 cu. ft.

### Slide-In Cutout



### Freestanding Cutout



A: Cabinet opening min. 30"  
B: Acceptable electrical outlet area

### Warranty

One (1) Year Parts and Labor

### Product Dimensions & Weight (WxHxD)

Actual Oven Dimensions:  
25" x 18<sup>15</sup>/<sub>16</sub>" x 20<sup>3</sup>/<sub>4</sub>"

Outside Net Dimensions:  
29<sup>15</sup>/<sub>16</sub>" x 36 - 36<sup>3</sup>/<sub>4</sub>" (Adjustable) x 28<sup>5</sup>/<sub>8</sub>"

Weight: 180 lbs

### Shipping Dimensions & Weight (WxHxD)

Dimensions:  
33<sup>3</sup>/<sub>8</sub>" x 41<sup>3</sup>/<sub>4</sub>" x 30<sup>5</sup>/<sub>16</sub>"

Weight: 204 lbs

### Color

Stainless Steel

### Model #

NE58R9311SS

### UPC Code

887276344744