

24" Compact Electric Air Vented Dryer

BDV7200X



KEY FEATURES

- 3.7 cu. ft. Dryer Capacity
- Child Lock
- Stack Kit Included
- Bidirectional Drum Action
- Lifetime Stainless Steel Drum
- Compact, 24" dryer, designed to save space
- AntiCrease+ prevents wrinkles by tumbling clean clothes after cycle has finished

GENERAL	
Capacity	3.7 cu. ft.
Dryer Load Capacity	15.4 lbs. (7 kg)
Style	Front Loading
Drum Material	Stainless Steel
Control	Digital Display
Delay Time	0-24 hours
Remaining Time Display	Yes
Drum Material	Stainless Steel
Automatic Anticreasing	Yes
Child Lock	Yes
Filter Cleaning Indicator	Yes
End of Cycle Buzzer	Yes
Bidirectional Drum Action	Yes

PROGRAMS	
Number of Programs	15
Cottons / Normal	Yes
Perm Press	Yes
Heavy Duty	Yes
Mixed Fabric	Yes
Sanitize	Yes
Timed Dry (High Temperature)	Yes
Timed Dry (Low Temperature)	Yes
Air Fluff	Yes
Wool	Yes
Towel	Yes
Wrinkle Free	Yes
Delicates	Yes
Sportswear	Yes
Bedding	Yes
Quick Dry	Yes

ACCESSORY	
Stacking Kit	Included (2992100300)

FINISHES	
Cabinet	White
Door Rim	Silver
Cycle Selector Knob	Black

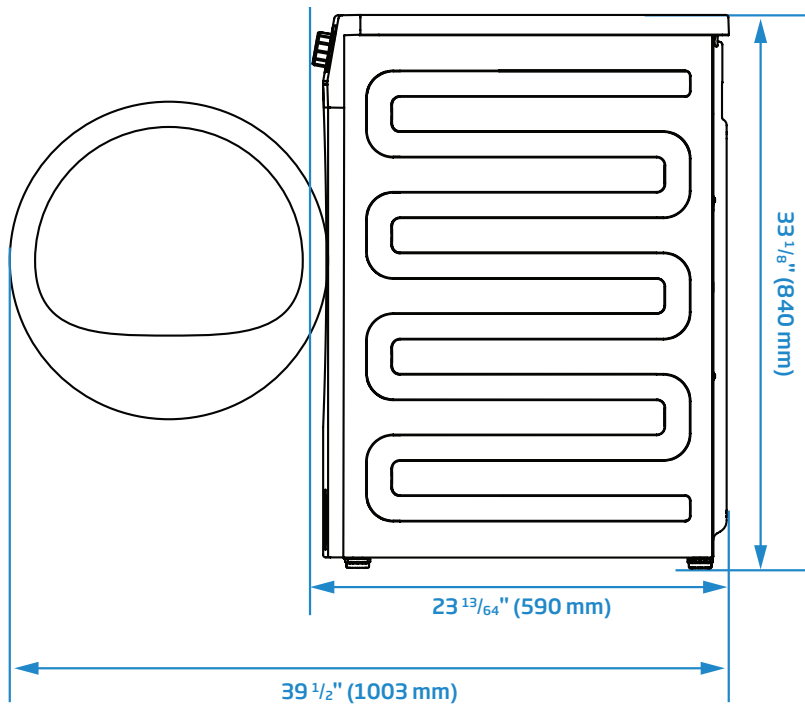
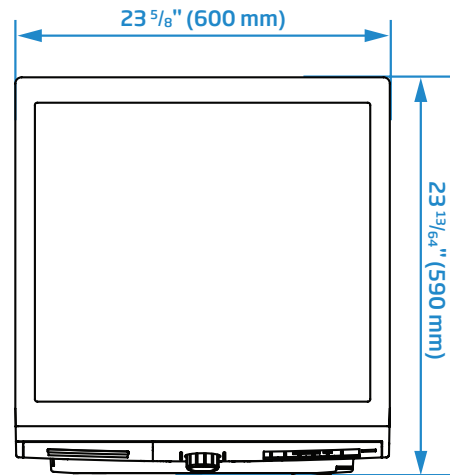
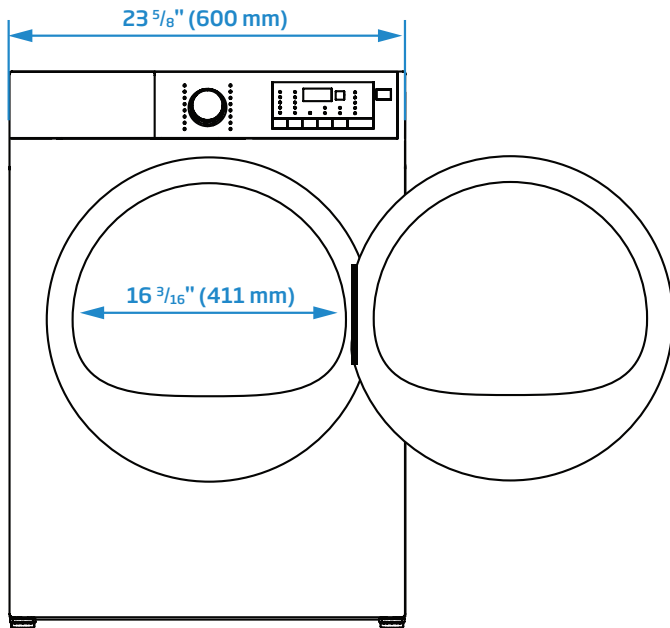
TECHNICAL FEATURES	
Voltage / Frequency	208-240 V / 60 Hz
Rated Current Amps	9.1-10.5 Amp
Plug	4-pin, 208-240 V
Pairs with	Beko Washer: BWM7200X

ENVIRONMENTAL STANDARDS	
ENERGY STAR® Qualified	Yes

DIMENSIONS	
Dimensions (H x W x D)	33 ¹ / ₈ x 23 ³ / ₈ x 23 ¹³ / ₆₄ in. (84 x 60 x 59 cm)
Packed Dim. (H x W x D)	35 ¹⁵ / ₆₄ x 25 ⁶³ / ₆₄ x 23 ¹³ / ₁₆ in. (89.5 x 66 x 60.5 cm)
Product Weight	158.7 lbs. (72 kg)
Packed Weight	81.6 lbs. (37 kg)

24" Compact Front Load Dryer

BDV7200X



Required Minimum Air Gap Clearance:
6 ¹/₄" (159 mm) Top
1/2" (13 mm) Sides
4" (102 mm) Back



UNIVERSAL STACKING KIT 2992100300

Included with dryer purchase.
Easily stack your units and save
space without additional parts.

NOTE TO THE INSTALLER: All height, width, and depth dimensions are shown in inches (as well as metric). Beko U.S., Inc. reserves the absolute and unrestricted right to change product materials and specifications, at any time, without notice. Please visit our website, www.BekoAppliances.com, or call 888.352.2356 to verify the latest specifications with final dimensional data and other details prior to installation and making a cutout. Applicable product limited warranty information may be found in accompanying product materials, or you may contact your account manager for further details. Proper installation is the responsibility of the installer. Product failure due to improper installation is not covered under the Limited Warranty.

888.352.BEKO(2356) | BekoAppliances.com

YOUR NEXT LEVEL OF REMARKABLE

