

# 30" Slide-In Dual Fuel Range

**SLDF30540SS**

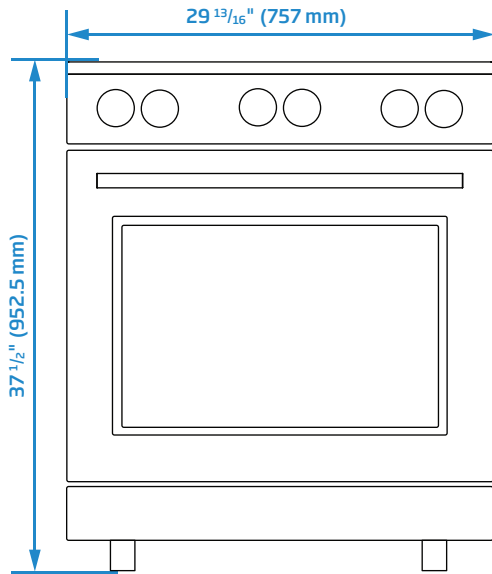


## KEY FEATURES

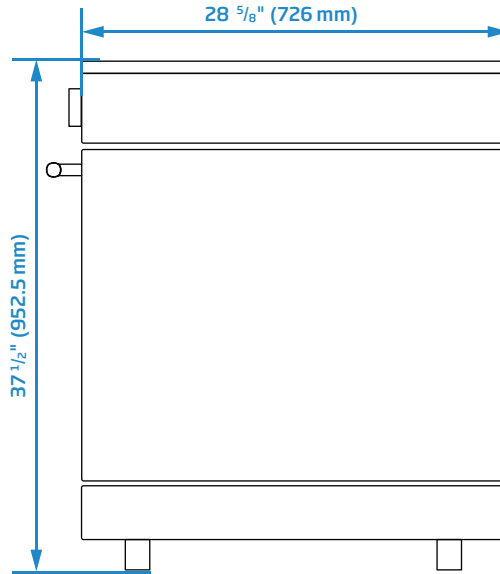
- 5 Gas Burners
- XL Cooktop Surface
- Auto Re-ignition
- Easy to Clean Enamel Burner Plate
- 5.7 cu. ft. Oven Space
- Meat Probe
- Full Extension Baking Drawer
- 3 Wire Heavy Duty Racks with Wrap Around Metal Tines

GENERAL	
Type	Freestanding
Size	30"
Finish	Stainless Steel
Side Walls	Black
Control Type	LED Display with InnovaChef Smart Display
FUNCTIONS	
Multi-Dimensional Cooking	Yes
Convection Cooking	Yes
Bottom Heater	Yes
Broiler	Yes
Broil	Electric
Convection Broiler	Yes
Convection Roast	Yes
True European Convection	Yes
SPECIAL FEATURES	
12-24 hour Clock Format	Yes
Splash Back	Optional
Simmering	Yes
Cooling Fan	Yes
Cavity Enameling Color	Black
Oven Lights	2 x Halogen Lights
Adjustable Feet	Yes
Anti-Tip (Tilting) Bracket	Yes
Bottom Compartment	Baking Drawer
Fuel Type	NG + Electric
LPG Conversion Kit	Yes
OVEN DOOR	
Oven Glass Window	"O" Shaped Metal + Glass
Door Cooling System	4 Pane Heat-Resistant Glass (Fixed)
Net Capacity cu. ft.	5.7 cu. ft. + 1 cu. ft. (Baking Drawer)
Bottom Heating Element Wattage	2400W
Upper Heating Element Wattage	3500W
Convection Element Wattage	1800W
Low Grill (Broil)	2000W
Grill (Broil)	2000W
ACCESSORIES/ OVEN CAVITY	
Rack Positions	6 Levels — Stay In Self-clean
Telescopic Pull-out Shelf System	1 Level (Full Extension)
Pyrolytic Self-cleaning	Yes
Broiler Pan	1
Wok Adapter	Yes
Chromed Racks	3
Side Trim	Optional
Backsplash	Optional
Griddle	Optional
COOKTOP	
Zone Configuration	5
Front Left	12,500 BTU
Rear Left	4,000 BTU
Front Right	18,000 BTU
Rear Right	10,000 BTU
Pan Support Type	Cast Iron Pan Support
Pan Quantity Support	3
POWER/RATINGS	
KW/Amps rating at 240 V, 60 Hz	220-240 V; 60 Hz; 40 Amp
DIMENSIONS	
Required cutout dim (H x W x D)	36" x 30" x 25 1/2"
Overall	37 1/2" x 29 13/16" x 28 5/8"
Packed H x W x D	32 3/4" x 45 25/64" x 30 19/32"
Product Weight	286 lbs. (130 kg)

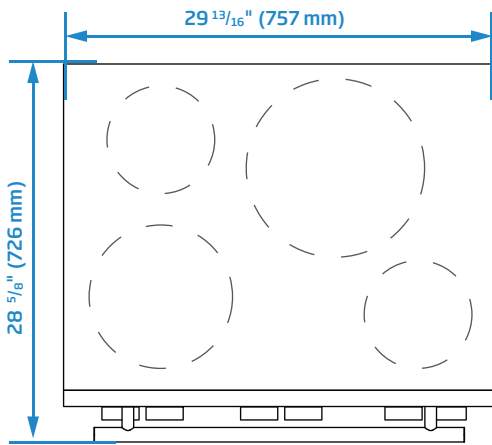
Front



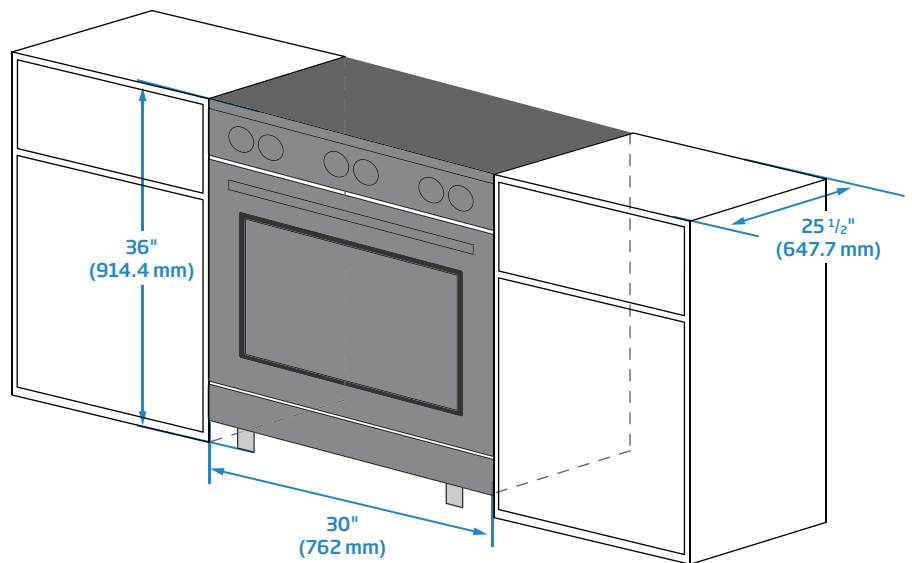
Side



Top



Cabinet Cutout



NOTE TO THE INSTALLER: All height, width, and depth dimensions are shown in inches (as well as metric). Beko U.S., Inc. reserves the absolute and unrestricted right to change product materials and specifications, at any time, without notice. Please visit our website, [www.BekoAppliances.com](http://www.BekoAppliances.com), or call 888.352.2356 to verify the latest specifications with final dimensional data and other details prior to installation and making a cutout. Applicable product limited warranty information may be found in accompanying product materials, or you may contact your account manager for further details. Proper installation is the responsibility of the installer. Product failure due to improper installation is not covered under the Limited Warranty.