

# DW24PR

DISHWASHER 24" PANEL READY



## PRODUCT FEATURES

<b>Style</b>	Panel ready
<b>Interior finish</b>	Stainless steel tub
<b>User interface</b>	Concealed electronic touch interface
<b>Sound insulation</b>	49 db(A)
<b>Racks</b>	2
<b>Place settings</b>	10
<b>Wash cycles</b>	6 – Normal, Heavy, Glass, Quick, Rinse, ECO
<b>Wash options</b>	4 – Sanitize, Hi-Temp, Heating Dry, Energy Save
<b>Drying system</b>	Heated drying
<b>Filter</b>	Triple-stage filter
<b>Food disposer</b>	3
<b>Sprayer arms</b>	Projected on floor
<b>Lighting</b>	Yes

## TECHNICAL SPECIFICATIONS

<b>Voltage, Frequency, Amps</b>	120V 60Hz - 6.7 Amps 800W
<b>EnergyStar</b>	Yes 237 kWh/yr
<b>Power connection</b>	Direct wiring, no cord
<b>Water connection</b>	Min. 3/8" copper pipe with accessible shut-off valve
<b>Certification</b>	UL, cUL
<b>Warranty</b>	2 years parts & labor
<b>Packaging dimensions and weight</b>	W 23" 5/8 H 32" 1/2" D 22" 7/8 Weight 88 lbs

Extra-quiet performance 49 dB(A)

Dual pump system with food disposer and triple-stage filter ensure maximum removal of dirt residues from washing water

6 washing programs, 4 washing options and heat-drying ensure a customizable and always effective wash program

Sanitize option elevates washing temperature to 158F for perfect and sanitized cleaning

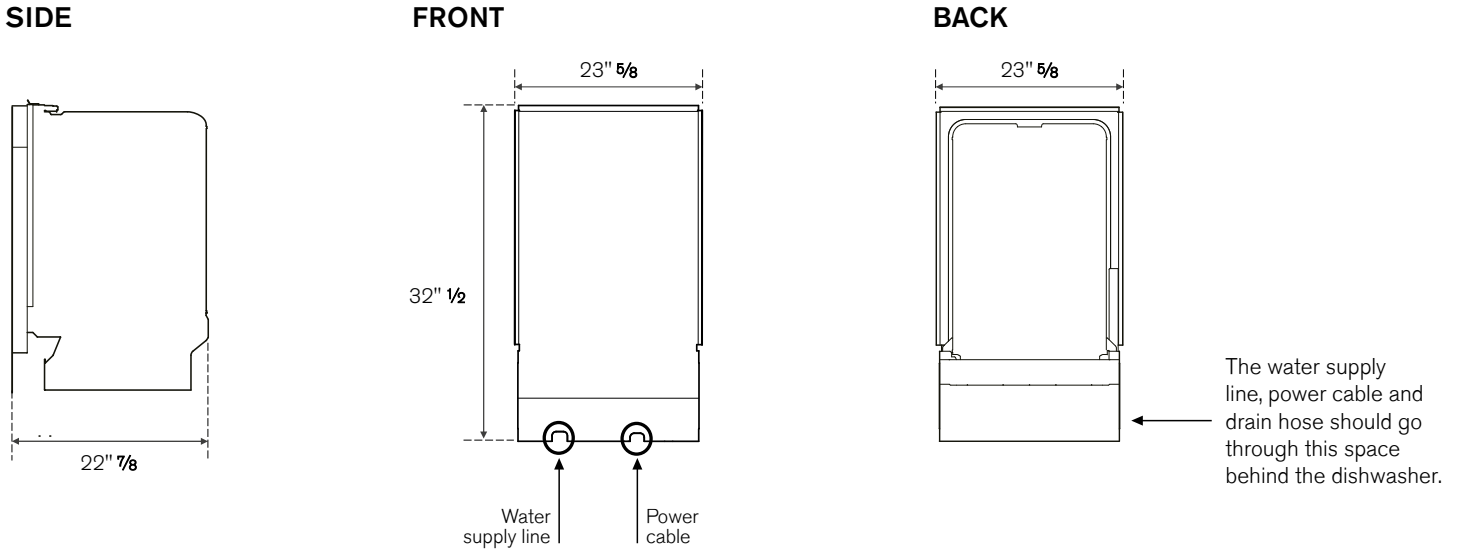
End-of-cycle indicator projected on the floor

Energy Star compliant

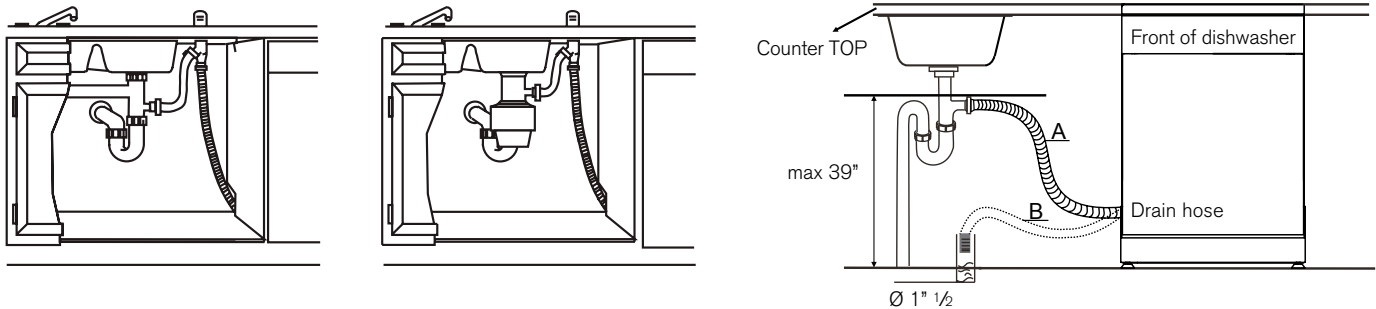
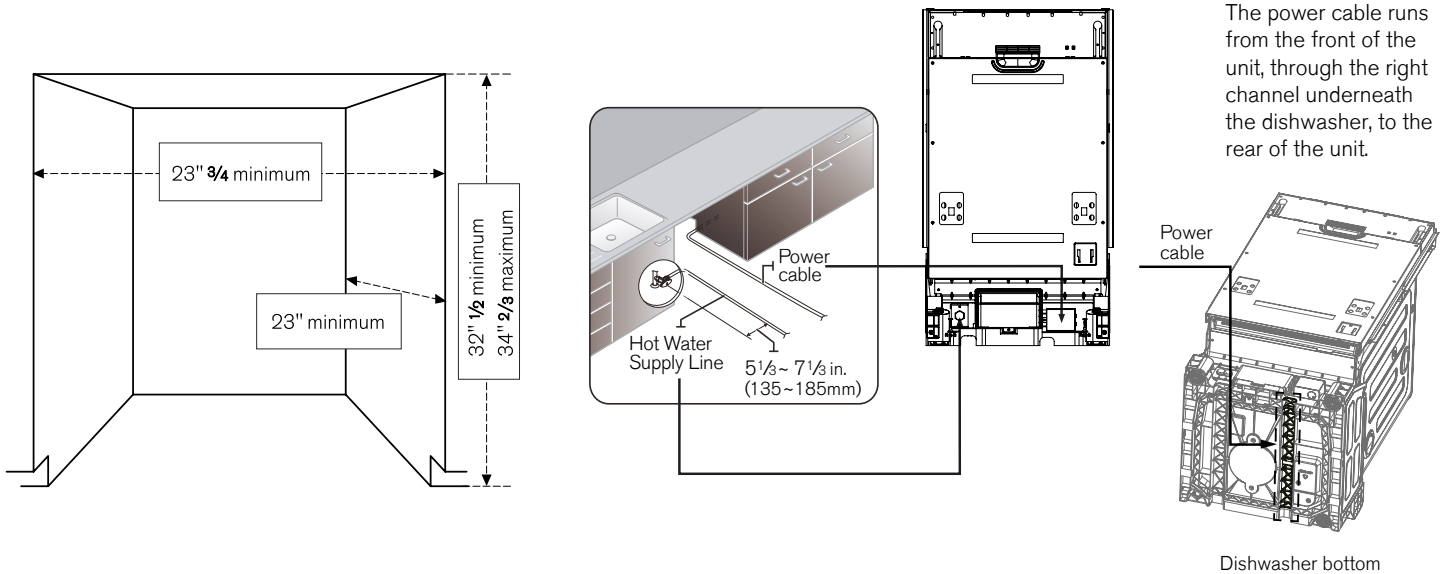
ADA compliant

# DW24PR

DISHWASHER 24" PANEL READY



## CUTOUT DIMENSIONS



### DRAIN REQUIREMENTS:

Follow local codes & ordinances. Drain hose cannot exceed 10' distance to drain line.

### AIR GAP / HIGH DRAIN LOOP:

Install a waste line with an air gap (not supplied) or high drain loop to prevent backflow. The top of the drain hose must be less than 39". Air gap must be used if waste tee or disposer connection is less than 18" above floor.