



30-INCH COMBI WALL OVEN

DOC30M977D | MODERNIST COLLECTION



AVAILABLE MODELS

DOC30M977DM Graphite Stainless Steel

DOC30M977DS Stainless Steel

FEATURES & BENEFITS

- Available in graphite stainless steel and silver stainless steel.
- Exclusive Four Part Dual Pure Convection Oven - heat, air, baffle and filter to precisely distribute heat for superior cooking results.
- Steam and Convection Oven - the power of steam assist and convection cooking in one.
- The convenience of Microwave Convection.
- Large oven capacity: Microwave 1.9 cu. ft. / Oven 4.8 cu. ft. BrightVue™ oven lighting (LED + Halogen Lights).
- RadiantVue™ microwave lighting (LED + Metal Mesh).
- 7" LCD control panel.
- Dacor iQ Kitchen app with integrated Wi-Fi to control and monitor remotely.
- Flush installation.

ACCESSORIES (INCLUDED)

GLIDE RACKS	2
STANDARD RACKS	1
TEMPERATURE PROBE	1
AUTOMATIC WATER RESERVOIR	1
TURN TABLE (OPTITRAY™)	1
MICROWAVE WIRE RACK	1
EVENPLATE™	1

ACCESSORIES (OPTIONAL)

COOKIE SHEETS (SET OF 3)

SKU - ACSM303

GENERAL PROPERTIES - OVEN

COOKING MODES
LOWER CAVITY

BAKE - BROIL - CONVECTION
BAKE - CONVECTION ROAST
- CONVECTION
BROIL - FOUR PART PURE
CONVECTION - PURE
CONVECTION SEAR - STEAM
BAKE - STEAM ROAST

GENERAL PROPERTIES - MICROWAVE

COOKING MODES
UPPER CAVITY

BROIL - CONVECTION SEAR
(POWER CONVECTION) -
SPEED CONVECTION
SEAR - SPEED BROIL

FEATURES

TYPE

COMBINATION
MICROWAVE/ OVEN

SOFT CLOSE DOOR (OVEN)

SOFTSHUT™

LIGHTING

BRIGHTVUE™ AND RADIANTVUE™

ADDITIONAL FEATURES - OVEN

CLEANING TYPE

SELF CLEAN
GREENCLEAN™

OVEN TYPE

COMBINATION

INSTALLATION

FLUSH

CONTROLS

7" LCD

WI FI

YES (REMOTE ENABLED)

CONVECTION TYPE

FOUR PART DUAL PURE
CONVECTION WITH MESH FILTER

OVEN COLORS

SILVER STAINLESS STEEL
GRAPHITE STAINLESS STEEL

OVEN PERFORMANCE

BAKE ELEMENT

3,000W - 8 PASS

BROIL ELEMENT

4,400W - 10 PASS

CONVECTION ELEMENT

1,300W (EACH - 2,600W TOTAL)

STEAM HEATER

500W

CONTROL FEATURES - OVEN

WI FI ON/OFF

YES

LANGUAGE OPTIONS

YES

CLOCK

YES (12 HR/24 HR)

DELAY START

YES

KITCHEN TIMER

YES

SABBATH MODE

YES

LAMP ON/OFF

YES

CHILD LOCK

YES

OPTIONS

YES

ENERGY SAVING

YES

DEMO MODE

YES

CONTROL FEATURES - MICROWAVE

CLOCK YES

(12 HR/24 HR)

KITCHEN TIMER

YES

LAMP ON/OFF

YES

CHILD LOCK

YES

SOUND

YES

WI FI

YES (MONITOR ONLY)



30-INCH COMBI WALL OVEN

OVEN APPLIANCE DIMENSIONS

ADDITIONAL MODES

KEEP WARM	YES
PROOF (LOWER TEMP)	YES
PROOF	YES
PIZZA STONE MODE	YES
DEHYDRATE	YES
GOURMET COOK	YES
INSTANTHEAT™	YES
TEMPERATURE PROBE	YES

TECHNICAL DETAILS

CIRCUIT BREAKER (A)	40
VOLTS (V)	240 / 208
FREQUENCY (HZ)	60
ENERGY SOURCE	ELECTRIC

MICROWAVE

ADDITIONAL MODES

ADD 30 SECONDS	YES
DEFROST	YES
AUTO COOK (NO SENSOR)	YES
SENSE COOK™ (SENSOR COOK)	YES
CONVECTION SEAR AUTO COOK	YES
HEALTHY FRY (SLIM FRY)	YES
HEALTHY CHOICE (FIT CHOICE)	YES

TECHNICAL DETAILS

POWER LEVEL	950W
-------------	------

MICROWAVE AND OVEN

DIMENSIONS & WEIGHT

APPLIANCE DIMENSIONS (W X H X D) (IN.)	29 3/4" X 43 3/8" X 23 1/8"
REQUIRED CUTOUT SIZE (W X H X D) (IN.) (FLUSH)	30 3/16" - 30 5/16" X 43 11/16" MIN X 24 13/16"
OVEN CAPACITY (CUBIC FEET)	4.8
MICROWAVE CAPACITY (CUBIC FEET)	1.9

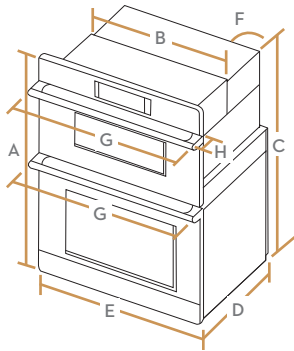
WARRANTY

LIMITED, PARTS AND LABOR	2 YEARS
--------------------------	---------

dacor

30-INCH COMBI WALL OVEN

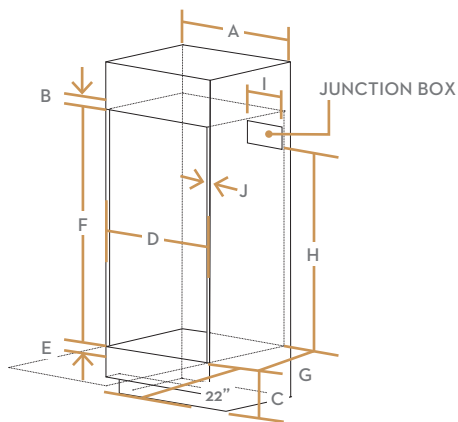
APPLIANCE DIMENSIONS



30"

A	43 3/8" (110.2CM)	OVERALL HEIGHT
B	28 1/2" (72.4CM)	RECESSED WIDTH
C	42" (106.7CM)	RECESSED HEIGHT
D	23 1/8" (58.7CM)	RECESSED DEPTH
E	29 3/4" (75.6CM)	DOOR WIDTH
F	67" (170CM)	CONDUIT LENGTH
G	30" (76.2CM)	OVERALL WIDTH (HANDLE WIDTH)
H	2 1/4" (5.6CM)	HANDLE DEPTH

INSTALLATION CUTOUT DIMENSIONS

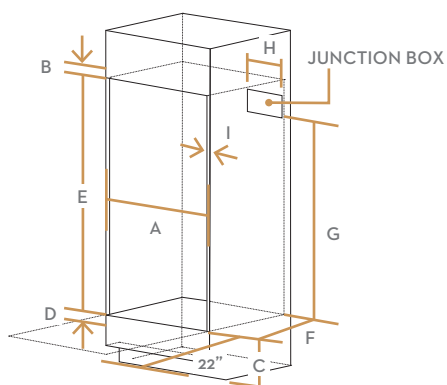


Allow a minimum of 22" for clearance to adjacent corners, drawers, walls, etc. when door is open.

STANDARD CABINET DIMENSIONS

A	30" (76.2CM)
B	MIN. 1 3/16" (3.0CM)
C	12" (30.5CM)
D	MIN. 28 5/8" / MAX. 28 3/4" (MIN. 72.7CM / MAX. 73.0CM)
E	MIN. 1" / MAX. 1 1/4" (MIN. 2.5CM / MAX. 3.2CM)
F	42 1/4" (107.3CM)
G	MIN. 23 1/2" (MIN. 59.7CM)
H	MIN. 30 1/2" (MIN. 77.5CM)
I	MAX. 9 1/2" (MAX. 24.1CM) JUNCTION BOX
J	MIN. 11/16" (1.75CM) - WOODEN CABINET THICKNESS

INSTALLATION CUTOUT DIMENSIONS



FLUSH CABINET DIMENSIONS

A	MIN. 30 3/16" / MAX. 30 5/16" (MIN. 76.7CM / MAX. 77.0CM)
B	MIN. 1 3/16" (3.0CM)
C	12" (30.5CM)
D	MIN. 1" / MAX. 1 1/4" (MIN. 2.5CM / MAX. 3.2CM)
E	43 11/16" (110.9CM)
F	MIN. 24 13/16" (MIN. 63.0CM)
G	MIN. 30 1/2" (MIN. 77.5CM)
H	MAX. 9 1/2" (MAX. 24.1CM) JUNCTION BOX
I	MIN. 11/16" (1.75CM) - WOODEN CABINET THICKNESS