



IN HARMONY WITH NATURE,
YOUR LIFE, AND YOU.

Blomberg
seit 1883

24" Compact Front Load Washing Machine

WM72200W



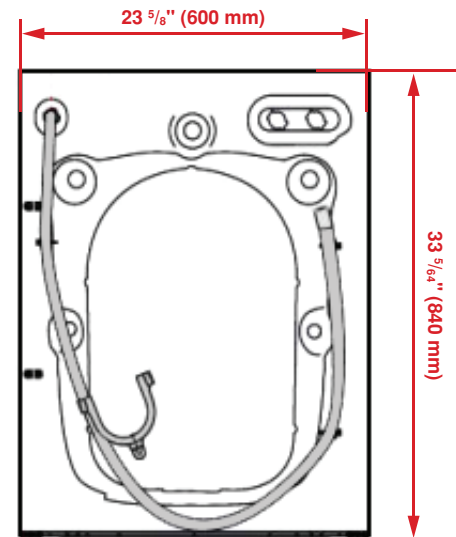
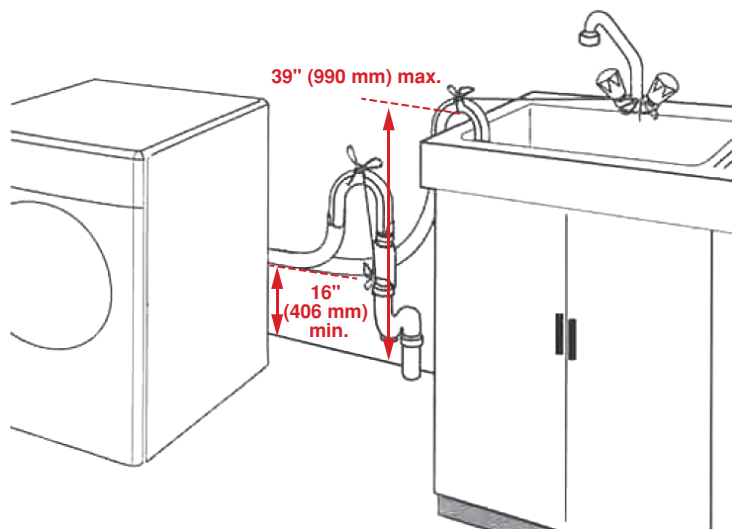
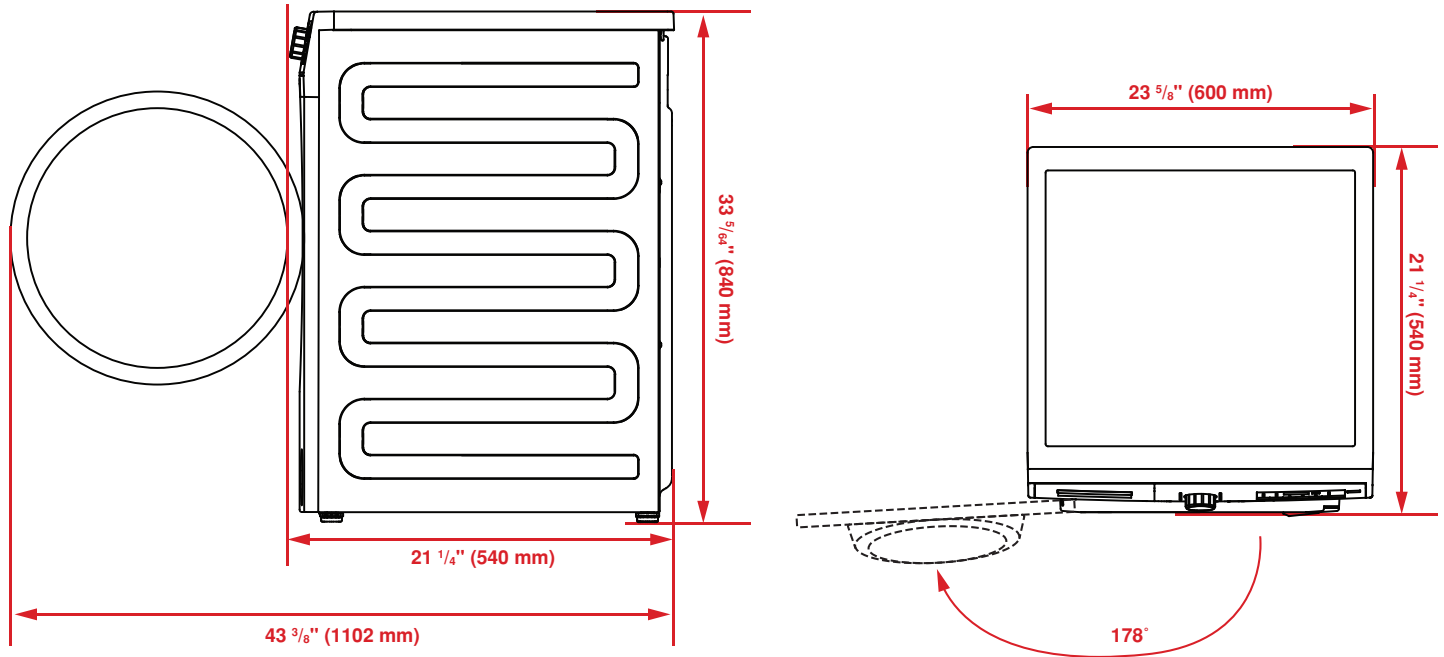
FEATURES

- Compact 24" washer, designed to save space
- Optimal Inverter Technology provides quiet, efficient, and durable performance
- Woolmark Apparel Care certified
- Tub Sanitize cycle, powered by steam, maintains a fresh interior for cleaner clothes
- Allergen cycle, powered by steam, reduces allergy triggers such as pet dander
- AntiCrease+ function uses steam to prevent wrinkles by tumbling clean clothes after cycle has finished
- Organic Wash cycle improves the performance of organic detergent
- Down Wear cycle easily cleans down jackets, vests, and comforters

GENERAL	
Capacity	1.95 cu. ft.
Style	Front Loading
Maximum Spin Speed	1,200 RPM
Variable Spin Speed	Yes
Automatic Temp. Control	Yes
Control	Digital Display
Delay Time	0-19 hours
Remaining Time Indicator	Yes
Drum Material	Stainless Steel
Detergent	Liquid and Powder
Automatic Water Adjustment System	Yes
Overflow Safety	Yes
Adjustable Leveling Legs	4
FUNCTIONS	
Heavy Soil	Yes
Soak	Yes
Extra Rinse	Yes
AntiCrease+	Yes
Child Lock	Yes
PROGRAMS	
Number of Programs	15
Cotton / Normal	Yes
Perm Press	Yes
Heavy Duty	Yes
Mixed Fabric	Yes
Allergen	Yes
Rinse	Yes
Spin + Drain	Yes
Tub Sanitize	Yes
Hand Wash / Wool	Yes
Down Wear	Yes
CoolClean	Yes
Delicates / Dark	Yes
Sportswear	Yes
Organic Wash	Yes
Quick Wash	Yes
FINISHES	
Unit	White with Chrome Door
TECHNICAL FEATURES	
Motor	Optimal Inverter
Voltage / Frequency	120 V / 60 Hz
Rated Current Amps	10 Amp
Pairs with	Dryer: DV17600W
Plug	Into Wall Receptacle
ENVIRONMENTAL STANDARDS	
ENERGY STAR® Qualified	Yes
DIMENSIONS	
Dimensions (H x W x D)	33 5/64 x 23 5/8 x 21 1/4 in. (84 x 60 x 54 cm)
Packed Dim. (H x W x D)	35 1/32 x 26 3/16 x 24 7/32 in. (89 x 66.5 x
Product Weight	156.5 lbs. (71 kg)
Packed Weight	163.1 lbs. (74 kg)

24" Compact Front Load Washing Machine

WM72200W



Required Minimum Air Gap Clearance:

- 1/2" (13 mm) Top
- 1/2" (13 mm) Sides
- 1/2" (13 mm) Back

NOTE TO THE INSTALLER: All height, width, and depth dimensions are shown in inches (as well as metric). Beko U.S., Inc. reserves the absolute and unrestricted right to change product materials and specifications, at any time, without notice. Please visit our website at www.BlomborgAppliances.com or call 888.352.2356 to verify the latest specifications with final dimensional data and other details prior to installation and making a cutout. Applicable product limited warranty information may be found in accompanying product materials, or you may contact your account manager for further details. Proper installation is the responsibility of the installer. Product failure due to improper installation is not covered under the Limited Warranty.

IN HARMONY WITH NATURE, YOUR LIFE, AND YOU.

888.352.2356 | BlomborgAppliances.com

©2018 Beko U.S., Inc. 03/20/19

Blomborg
seit 1883