

FRIGIDAIRE GALLERY

GCRG3038AD
GCRG3038AF

Available Colors : Black Stainless Steel, Stainless Steel

Version : 10/19

Gas Ranges

30" Gas Range



Product Specifications

Electrical Specifications

Minimum Circuit Required (Amps)	5A
Voltage Rating	120V 60Hz

Certifications & Approvals

Agency Approval	CSA Certified
Sabbath Mode	Yes

Exterior

Cooktop Finish	Color Coordinated Porcelain
Drawer Finish	Color Coordinated
Manifold Finish	Color Coordinated

Dimensions: Exterior

Depth	25-3/4"
Depth (with Door 90° Open)	46-5/8"
Depth Including Handle	29-1/4"
Height	35 7/8" to 36 1/8"
Width	30"

General Specifications

Adjustable Leveling Legs	4 Adjustable
PROP 65 Label	Yes

Oven

Baking System	18000 BTU
Broil System	13500 BTU
Oven 1 Interior Color	Slate Blue
Oven 1 Interior Depth	19-1/8"
Oven 1 Interior Height	18-5/8"
Oven 1 Interior Width	24-3/8"
Oven 1 Rack Configuration	2 - Flat Rack
Oven 1 Rack Positions	6 Positions

Cooking Controls

Bake	Yes
Broil	Yes
Cancel	Yes
Door Lock	Yes
Quick Bake	Yes

Cooktop

Center	9500 BTU (Round)
Cooking Surface	Color Coordinated Porcelain
Electronic Ignition	Yes
Grate Color	Black Matte
Grate Material	Cast Iron
Grates	3 Continuous Grates
Knob Type	Color Coordinated
Left Front	9500 BTU
Left Rear	14000 BTU
Right Front	17000 BTU
Right Rear	5000 BTU

Drawer

Drawer Functionality	Storage
Handle	Color Coordinated

Capacities

Total Capacity	5
----------------	---

Note: For planning purposes only. Always consult local and national electric, gas and plumbing codes. Refer to Product Installation Guide for detailed installation instructions on the web at frigidaire.com/frigidaire.ca. Specifications subject to change. Accessories information available on the web at frigidaire.com/frigidaire.ca.

FRIGIDAIRE GALLERY

GCRG3038AD
GCRG3038AF

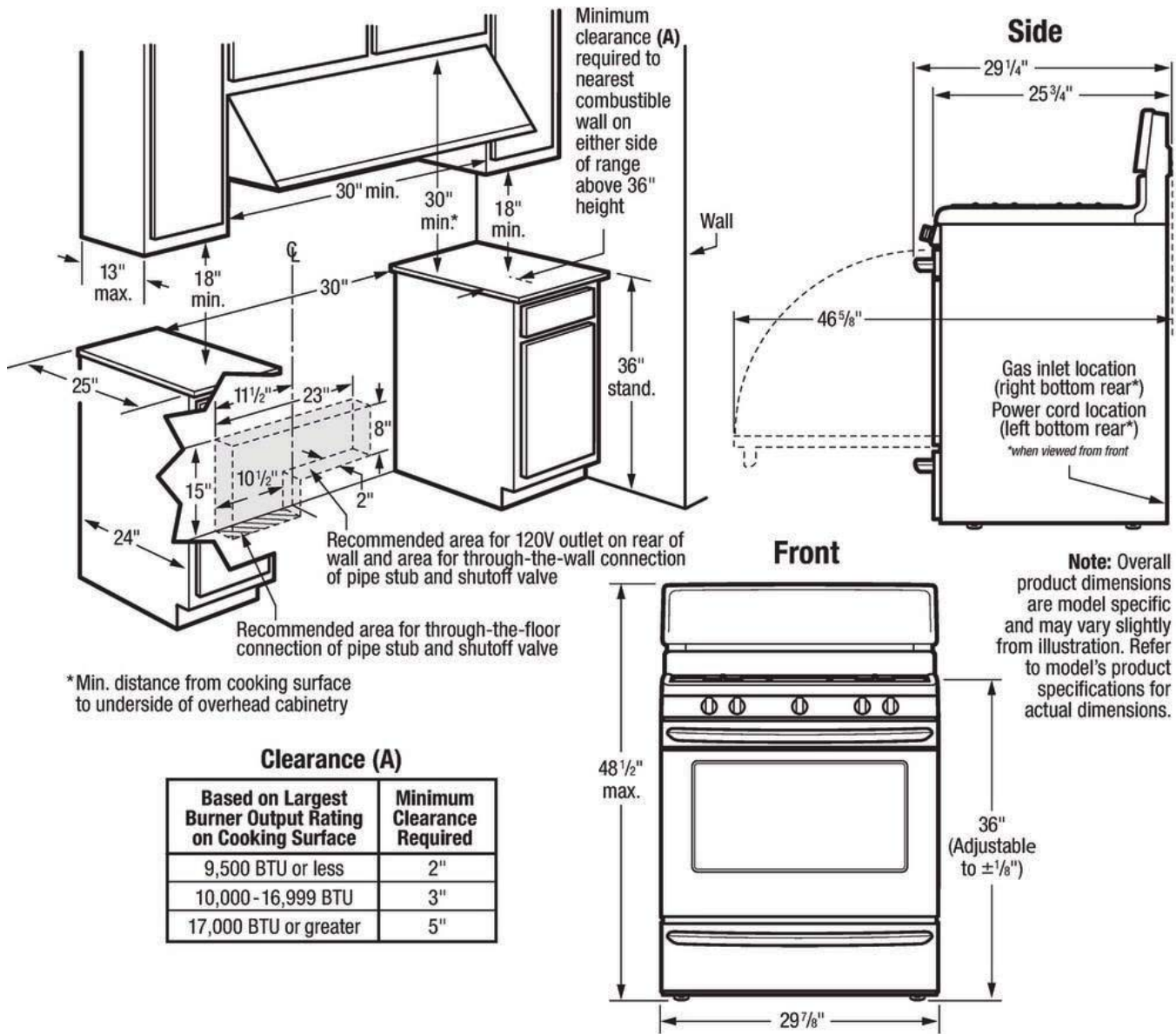
Available Colors : Black Stainless Steel, Stainless Steel

Version : 10/19

Gas Ranges

30" Gas Range

Installation Drawing



*Min. distance from cooking surface to underside of overhead cabinetry

Clearance (A)

Based on Largest Burner Output Rating on Cooking Surface	Minimum Clearance Required
9,500 BTU or less	2"
10,000 - 16,999 BTU	3"
17,000 BTU or greater	5"

Note: For planning purposes only. Always consult local and national electric, gas and plumbing codes. Refer to Product Installation Guide for detailed installation instructions on the web at frigidaire.com/frigidaire.ca. Specifications subject to change. Accessories information available on the web at frigidaire.com/frigidaire.ca