

# Café™ ENERGY STAR® 27.8 Cu. Ft. 4- Door French-Door Refrigerator

CVE28DP4NW2 / CVE28DP2NS1 / CVE28DP3ND1

# CAFÉ

DISTINCT BY DESIGN™



CVE28DP4NW2  
Matte White with  
Brushed Bronze handles

ALSO  
AVAILABLE IN



CVE28DP2NS1  
Stainless Steel  
with Brushed  
Stainless handles



CVE28DP3ND1  
Matte Black  
with Brushed  
Stainless handles



## FEATURES & BENEFITS

Enjoy the flexibility of a **Convertible Drawer with Soft Freeze** with settings as low as 23 degrees or as high as 42 degrees, and keep items organized with sliding glass dividers

Relish the bright, uniform light of an **LED light wall** that spans the back wall of the refrigerator, illuminating the fresh food section so every item is easy to find

Effortlessly fill containers with filtered water by simply pressing the **AutoFill** button which uses sensors to dispense the perfect amount every time

Keep your produce fresher thanks to a **Humidity Control System with two distinct bins**—a sealed high-humidity bin that preserves leafy green vegetables longer and a vented bin that provides the perfect environment for fruits

Easily pull out a slim, **full-width tray** to accommodate gourmet pizzas and other frozen, uniquely shaped items

Receive alerts on your smart device whenever your refrigerator's internal temperature dips below normal, thanks to **built-in WiFi connectivity** that helps you keep foods party-platter ready

From produce to packaged goods, keep any food fresh with **TwinChill™ evaporators** that create separate climates in the fresh food and freezer sections

Spend more time filling and less time fumbling thanks to the **Integrated Dispenser Design**, which senses your proximity and automatically illuminates, so you never have to compromise on function and fashion

## APPEARANCE

Exterior design	Bowed flat top
Handle	Café™
Handle design	Café Pro
Hidden door hinge(s)	Yes

## FEATURES

Configuration	French-door & Double drawer
WiFi connect	Built-in
Connected capabilities	Amazon Alexa; The Google Assistant; IFTTT
Temperature management features	Multiflow air system
Temperature management system	TwinChill™ evaporators
Defrost type	Frost Guard
Control type	Electronic temperature controls
Dispenser	Large stainless steel; Cubes, crushed ice and chilled water
Dispenser features	Hands-free AutoFill; Door alarm; LED dispenser light; Water filter indicator light
Icemaker	Space saving ice
Water filtration	GE water filtration 6 month; XWF; Water filter indicator light
Filter location	Left wall
Fresh food cabinet drawers	2 total; 2 adjustable humidity drawers
Fresh food cabinet shelves	4 glass split; 1 Quick Space shelf
Fresh food door bins	6 total; 2 with gallon storage; 1 adjustable
Fresh food door features	Dairy compartment
Fresh food features	LED light wall; Deli pan
Freezer door bins	3 (2 adjustable tilt-out)
Freezer storage baskets	2 full-width
Freezer features	Interior lighting - LED; Freezer drawer with full-extension slides
Exterior style	Free-standing
Leveling system	2 point front adjustable
Performance features	Easily removable door gaskets; Sabbath Mode capable
Center drawer features	Convertible drawer; 6 temperature settings (Soft Freeze, Meats, Beverages, Snacks, Wine, Lock); 2 Tuck Away glass dividers; Full-extension slides

## CAPACITY

Total capacity (cubic feet)	27.8 cu. ft.
Fresh food capacity	15.62 cu. ft.
Freezer capacity	8.57 cu. ft.
Convertible drawer capacity	3.62 cu. ft.

## WEIGHTS & DIMENSIONS

Overall depth	37-1/8 in.
Overall height	70 in.
Overall width	35-3/4 in.
Case depth without door	29-3/4 in.
Depth with door open 90°	48-3/4 in.
Depth without handle	34-5/8 in.
Height to top of hinge	69-7/8 in.
Height to top of case	68-5/8 in.
Width w/door open 90 degrees incl. handle	45-1/2 in.
Back air clearances	2 in.
Side air clearances	1/8 in.
Top air clearances	1 in.
Approximate shipping weight	425 lb.
Net weight	390 lb.

# Café™ ENERGY STAR® 27.8 Cu. Ft. 4- Door French-Door Refrigerator

CVE28DP4NW2 / CVE28DP2NS1 / CVE28DP3ND1

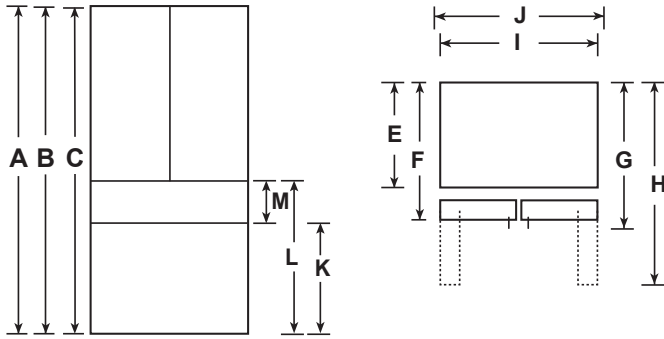
# CAFÉ

DISTINCT BY DESIGN™

## WARRANTY

Parts warranty	Limited 1-year entire appliance; Limited 5-year sealed refrigerating system
Labor warranty	Limited 1-year entire appliance; Limited 5-year sealed refrigerating system
Warranty notes	See written warranty for full details

## DIMENSIONS



Overall Dimensions	Value
A - Overall Height to top of door (in)	70
B - Height to top of hinge cover (in)	69 7/8
C - Height to top of case (in)	68 5/8
D - Hinge Cover Depth from Case Flange (in)	6
E - Case Depth without door (in)	29 3/4
F - Case Depth without Door Handle (in)	34 5/8
G - Overall Case Depth with Door Handle (in)	37 1/8
H - Depth with FF Door open 90 deg (in)	48 3/4
I - Case Width (in)	35 3/4
J - Width with door open 90 deg including handle (in)	45 1/2
K - Top endcap of FZ drawer to floor (in)	24 1/2
L - Top endcap of Middle drawer to floor (in)	33 1/2
M - End cap to End cap height of middle drawer (in)	8 5/8

## ADDITIONAL ACCESSORIES



CXQB4H4PNBZ  
Brushed Bronze  
4 handles  
(Standard on Matte White)



CXQB4H4PNSS  
Brushed Stainless  
4 handles  
(Standard on Matte Black  
and Stainless Steel)



CXQB4H4PNBT  
Brushed Black  
4 handles



CXQB4H4PNCU  
Brushed Copper  
4 handles