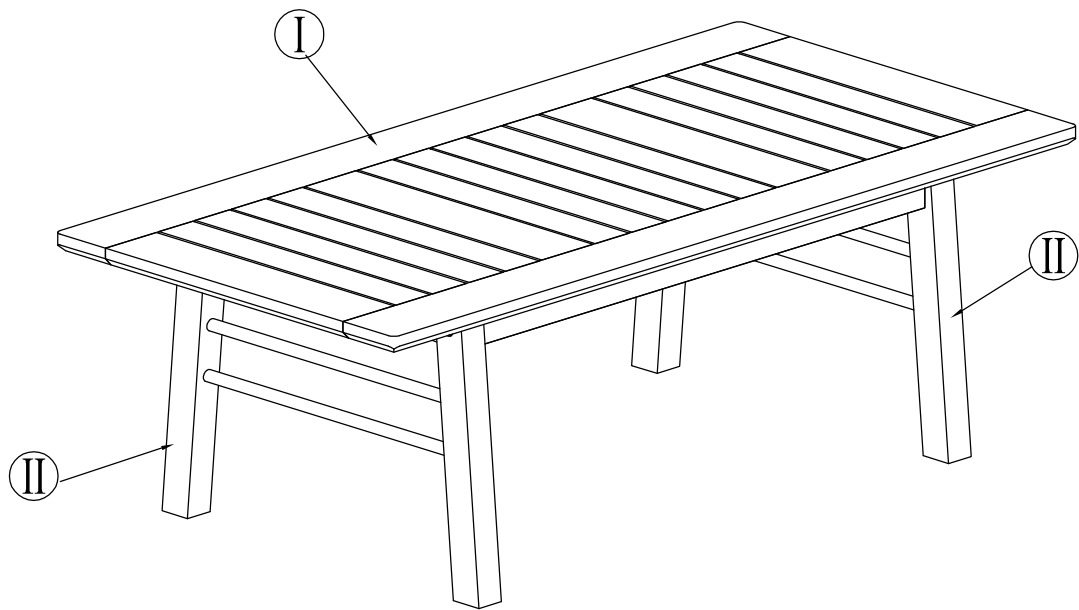


Maximum capacity : 60 kgs/122 Lbs

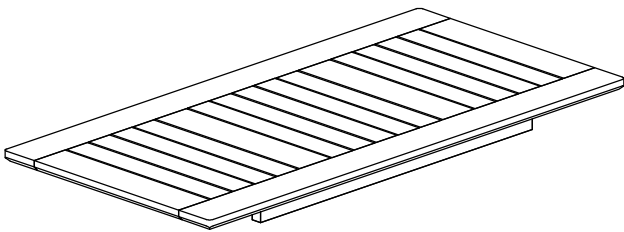




NOTE: 50% TIGHTEN BEFORE FIXING ALL BOLTS & SCREWS

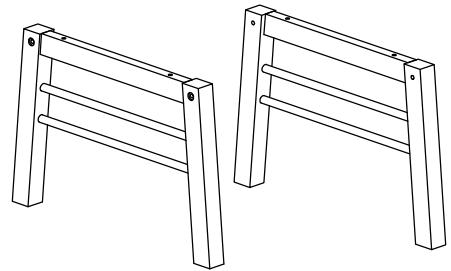
COMPONENTS LIST

Ⓘ





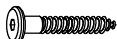
QTY 1

Ⓡ

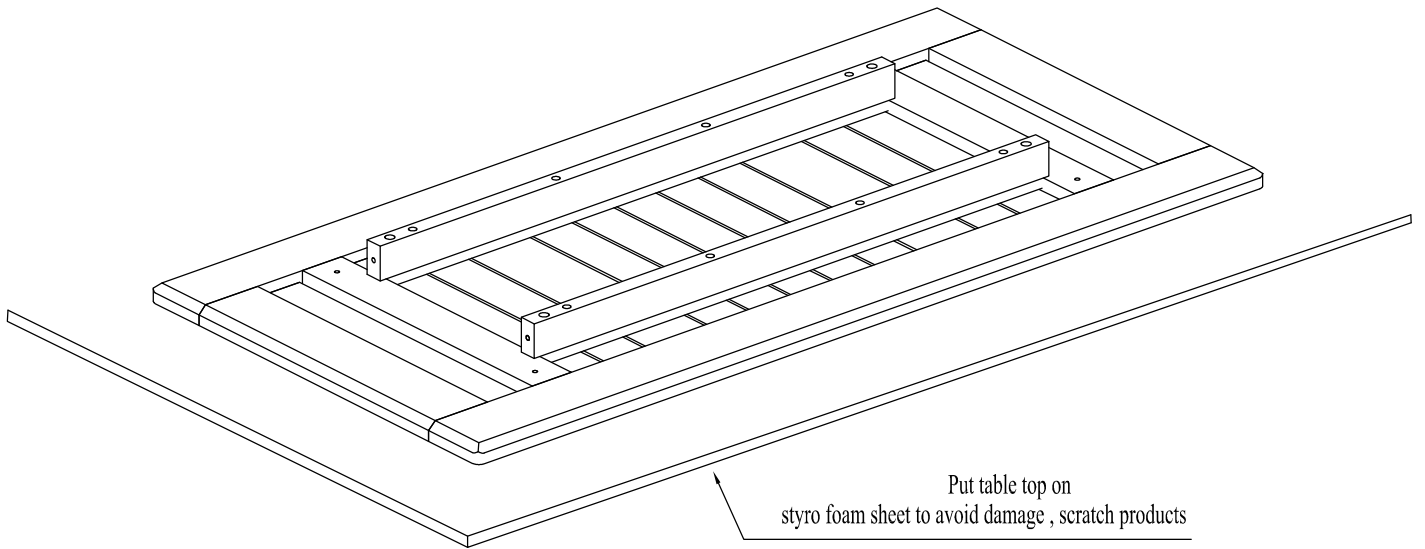


QTY 2

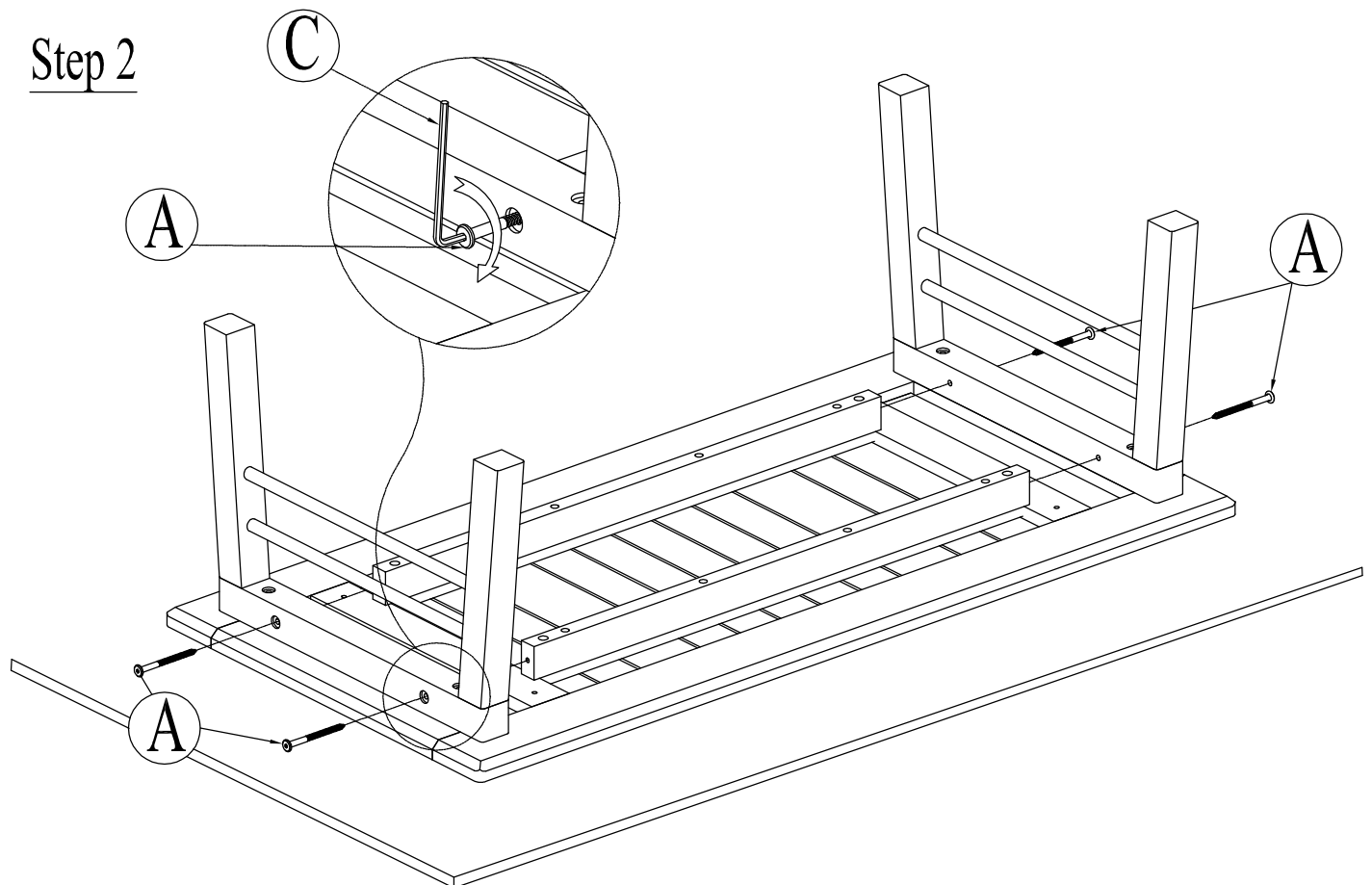
HARDWARE LIST

A		4	Screw 7 x 90	C		2	Allen Key
B		4	Screw 7 x 60				

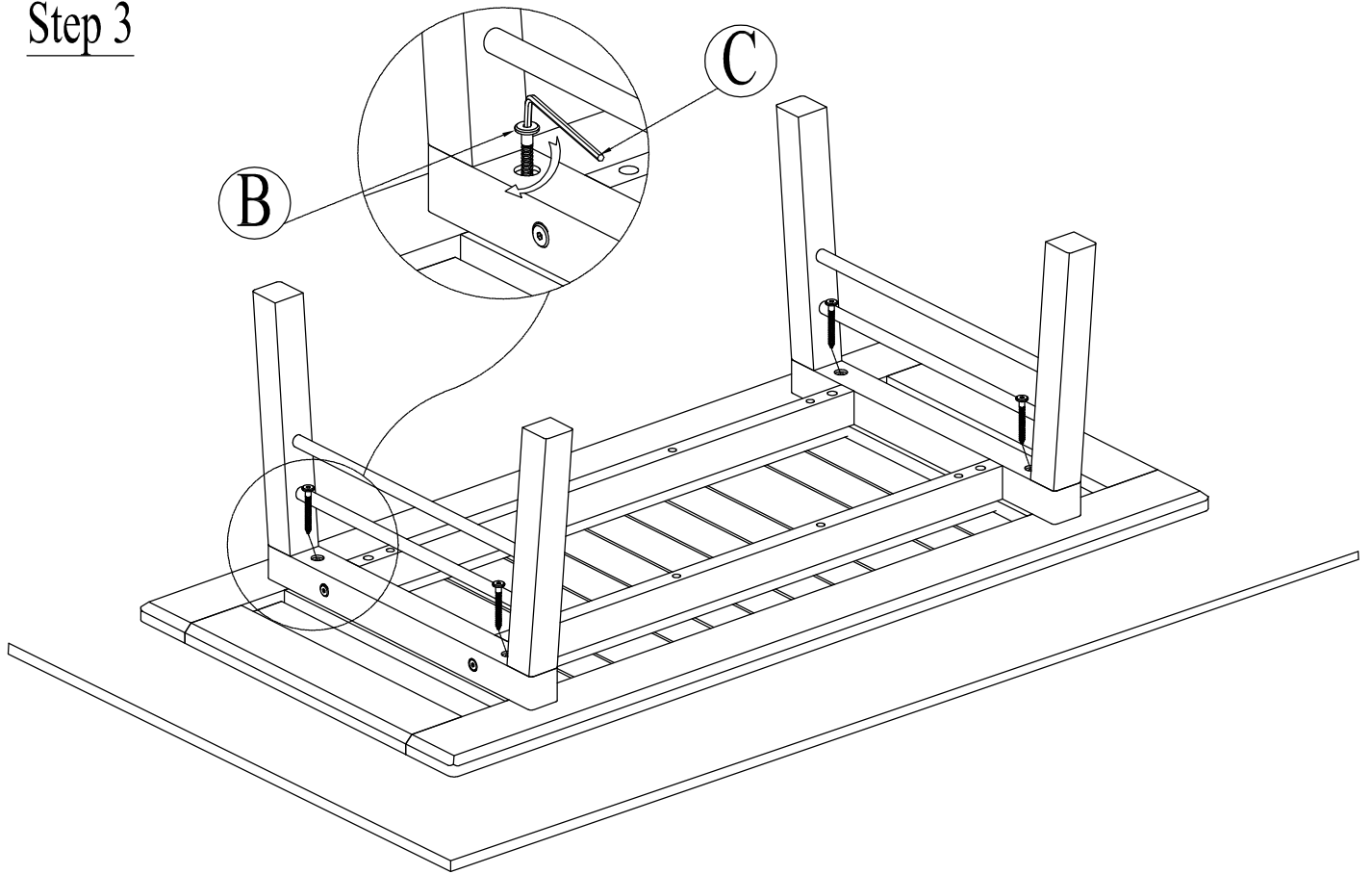
Step 1



Step 2



Step 3



Step 4

