

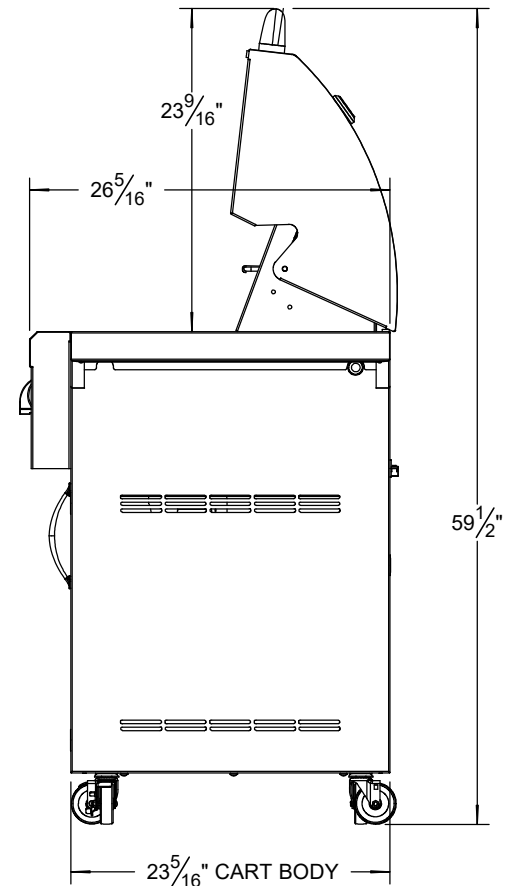
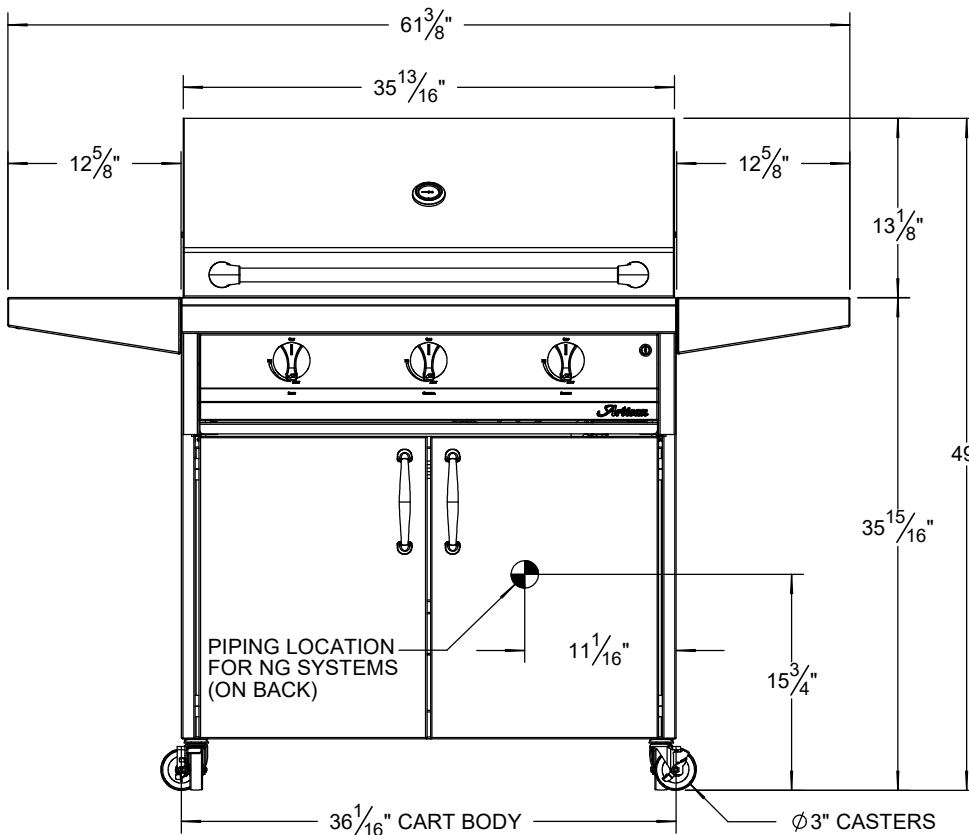
REMOVABLE
SIDE SHELVES

GAS TANK SHOWN
AS REFERENCE
(CUSTOMER SUPPLIED)

SPECIFICATIONS:

BTUH: 75,000
 FUEL: NG @ 5" W.C. OR LP @ 10" W.C.
 ELECTRICAL POWER: 9 VDC IGNITION SYSTEM
 GAS CONNECTION: 1/2" NPT (NG) OR 3/8" ODF (LP)

GAS TANK SLIDING
SHELF INCLUDED



Artisan

SUPERIOR EQUIPMENT SOLUTIONS
 1085 Bixby Drive
 Industry, CA 91745

THE INFORMATION CONTAINED IN THIS DRAWING IS THE
 SOLE PROPERTY OF SUPERIOR EQUIPMENT SOLUTIONS
 INC. ANY REPRODUCTION IN PART OR AS A WHOLE
 WITHOUT WRITTEN PERMISSION FROM SUPERIOR
 EQUIPMENT SOLUTIONS, INC. IS PROHIBITED.

DRAWN BY: Jorge Pelayo
CREATED: November 25, 2019

PROJECT TITLE:
ARTISAN GRILLS

DRAWING TITLE:

DRAWING NO.:
AAEP-36C SPEC SHEET