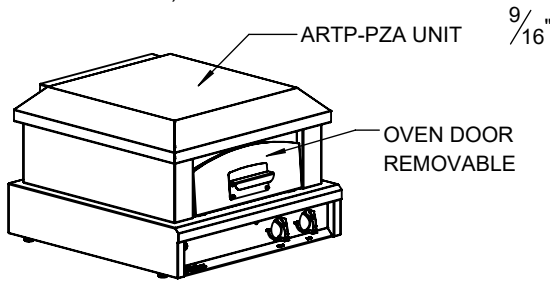


ARTP-PZA TYPICAL COUNTER INSTALLATION

COUNTERTOP REQUIREMENTS
(FOR CONNECTIONS AT THE BOTTOM)

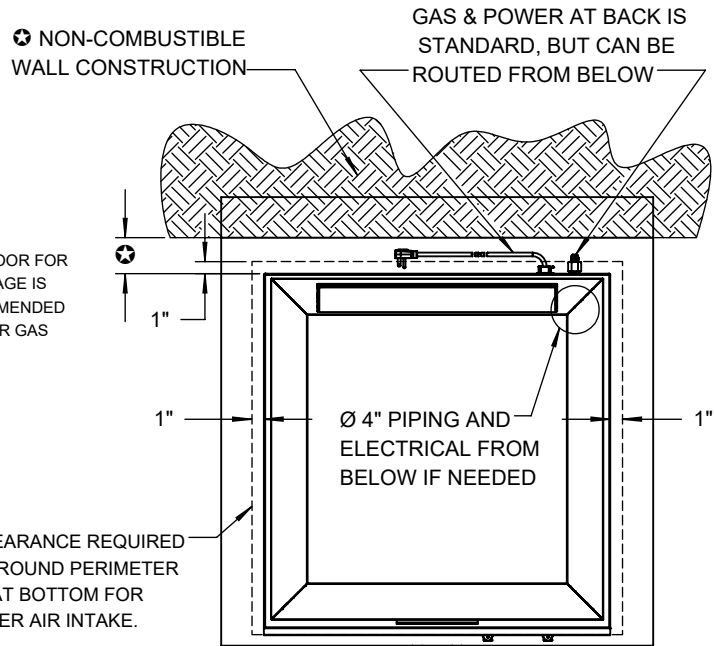
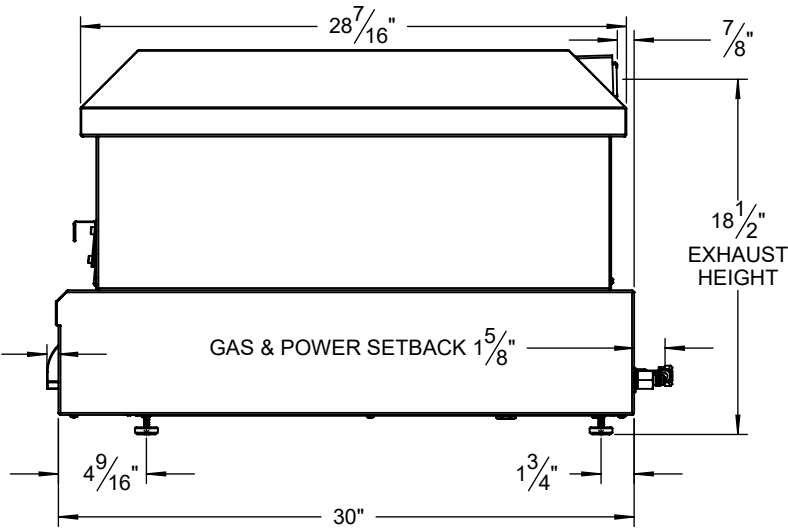
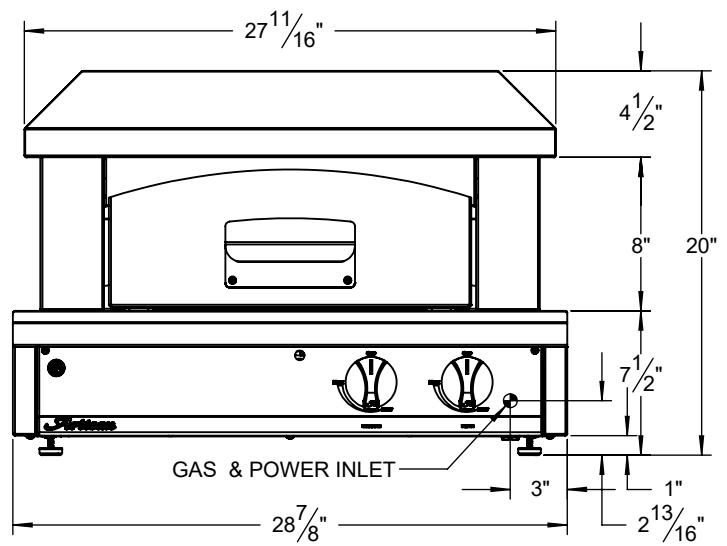


115 VAC POWER REQUIRED.
FOR STANDARD COUNTERTOP
INSTALLATION
(GCFI RECOMMENDED)

115 VAC POWER
REQUIRED FOR
UNDERCOUNTER
OPTIONAL
INSTALLATION.
GCFI
RECOMMENDED

3/8" RAISED LIP & SEALED TO COUNTERTOP
TO PREVENT WATER INGRESS IS HIGHLY
RECOMMENDED WHEN USING THE SETUP
FOR OPTIONAL UNDERCOUNTER UTILITIES.

ARTP-DD ACCESS DOOR FOR
SERVICE AND STORAGE IS
OPTIONAL & RECOMMENDED
FOR UNDERCOUNTER GAS
& POWER UTILITIES.



REFER TO THE ARTP-PZA MANUAL FOR PROPER CLEARANCE TO
NON-COMBUSTIBLE MATERIAL AND OR OTHER CONSTRUCTION

SPECIFICATIONS:

BTUH = 38,000
FUEL NG @ 5" W.C. & LP @ 10" W.C.
ELECTRICAL POWER = 115 VAC - 7.0 AMPS / 50 ~ 60 Hz.
GAS CONNECTION = 1/2" NPT(NG) OR 3/8" ODF (LP)