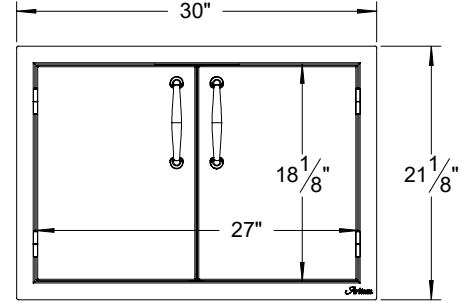
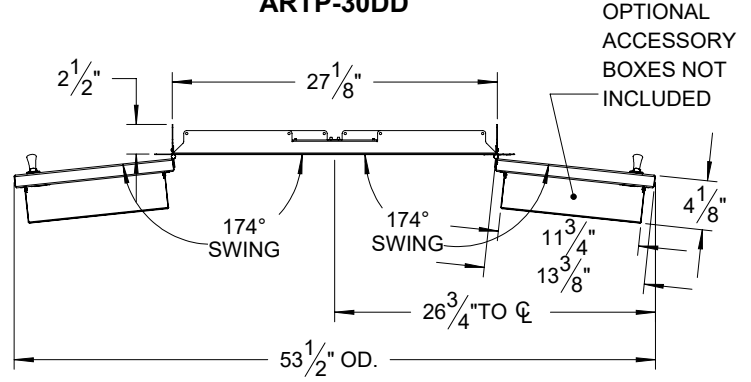


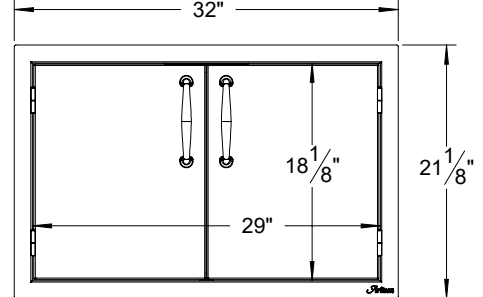
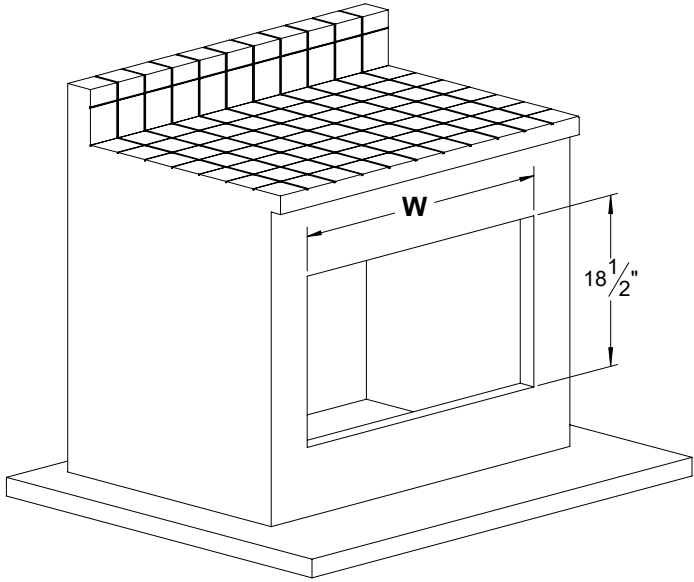
TYPICAL ARTP DOUBLE DOOR INSTALLATION



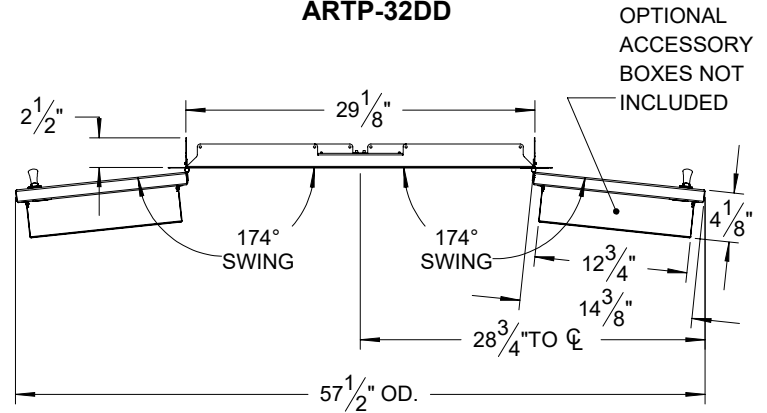
ARTP-30DD



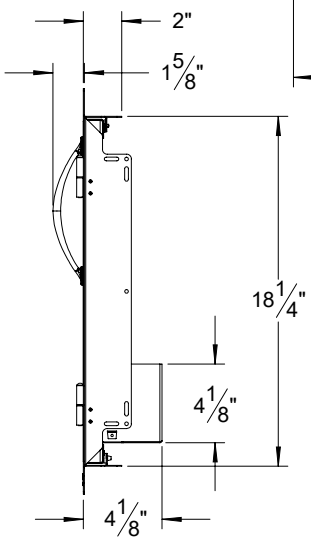
COUNTER FRONT CUTOUT REQUIREMENTS



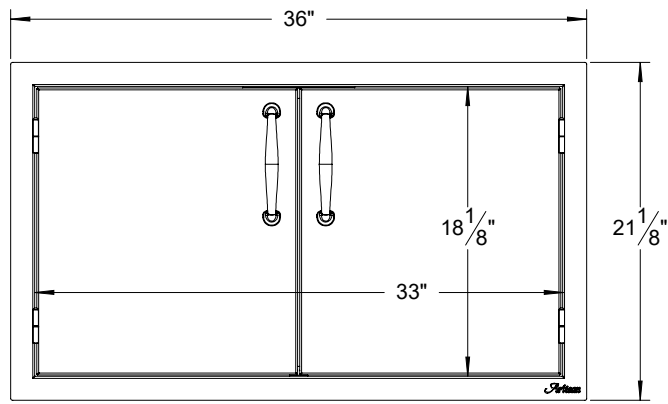
ARTP-32DD



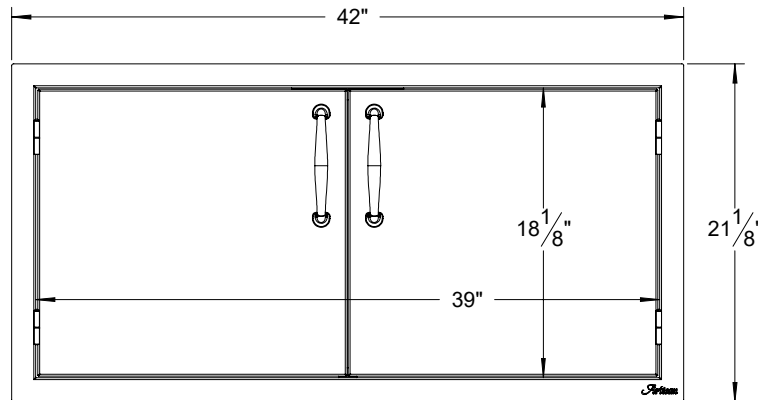
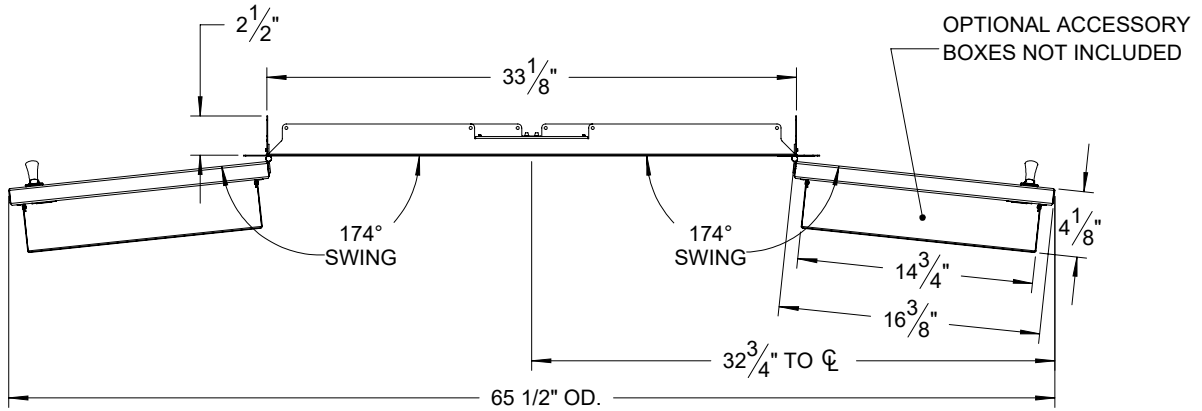
ARTP DOUBLE DOOR CUTOUT WIDTHS		OPTIONAL ACCESSORY BOXES	
MODEL	W	PART NO.	QTY.
ARTP-30DD	27-1/4"	ARTP-DS17	2
ARTP-32DD	29-3/8"	ARTP-DS32	2
ARTP-36DD	33-3/8"	ARTP-DS36	2
ARTP-42DD	39-3/8"	ARTP-DS42	2



PROFILE APPLICABLE TO ALL DOUBLE SIDED DOORS.



ARTP-36DD



ARTP-42DD

