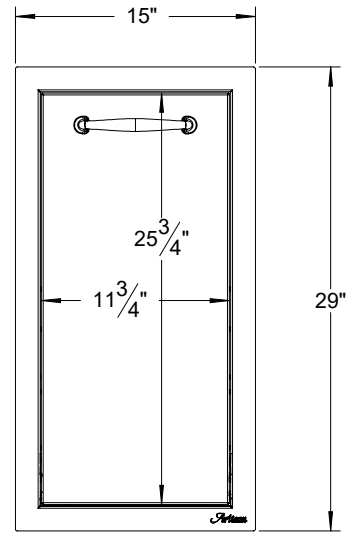
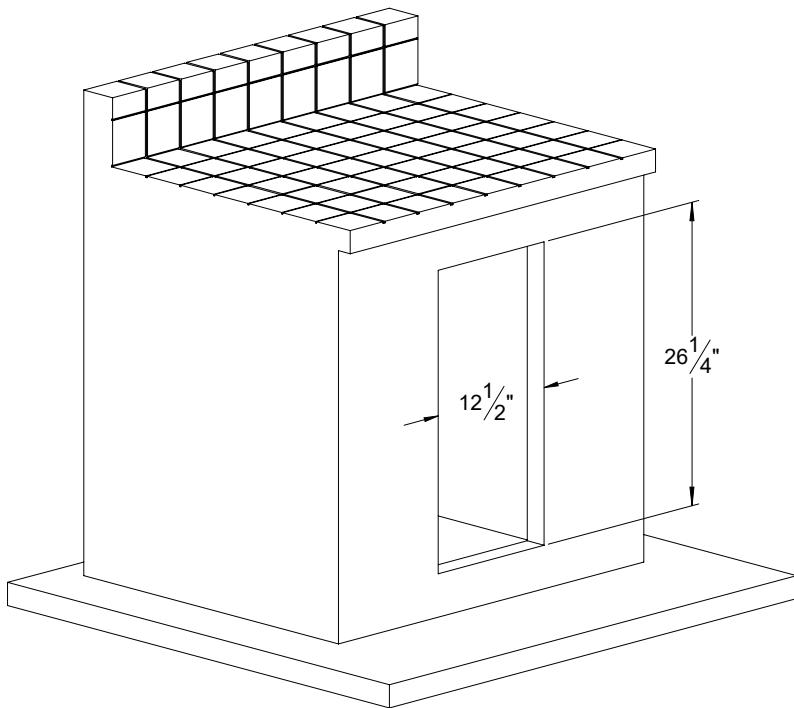


TYPICAL ARTP-TC-15SC INSTALLATION



COUNTER FRONT CUTOUT REQUIREMENTS



41 1/4 QT TRASH CAN IS NOT INCLUDED

