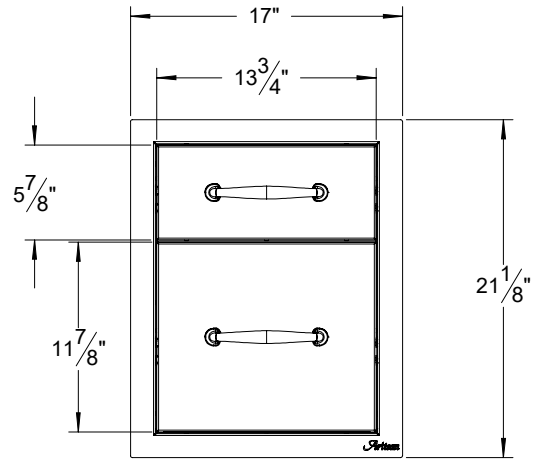


TYPICAL ARTP-2DR-17SC INSTALLATION



COUNTER FRONT CUTOUT REQUIREMENTS

