

Oven, 30", 9 Function, Self-cleaning

Series 7 | contemporary

Black Glass with Stainless Steel

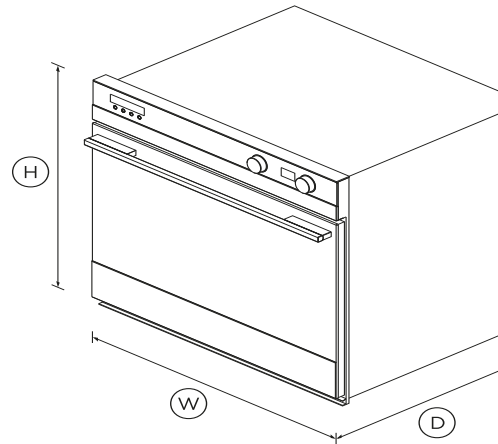


This built-in oven has a large capacity and multiple functions, to ensure every dish is cooked to perfection.

- 4.1 cu ft total capacity
- Nine oven functions including Aero™ Broil and Aero™ Pastry
- High-temperature self-cleaning function breaks down food residue for an easy clean
- Non-tip, full-extension shelves for safe removal of hot dishes

DIMENSIONS

Height	27 ¹ / ₁₆ "
Width	29 ²⁹ / ₃₂ "
Depth	23 ²⁹ / ₃₂ "



FEATURES & BENEFITS

Even cooking

Our built-in ovens feature AeroTech™ - a technology that circulates heat evenly, ideal for multi-shelf cooking.

Self cleaning

The self-clean function breaks down food residue at a very high temperature, leaving a light ash that's easily removed with a damp cloth. For best results, wipe down the inside of your oven door before you use the self-clean function.

Sized to suit

Designed for multi-shelf cooking, this is one of the largest built-in ovens on the market providing 4.1 cu.ft of total capacity. The

higher internal cavity allows you to fit a large casserole dish, the family roast and a pie for dessert.

Safe and sound

The CoolTouch door with triple glazing and cooling system is safe to touch from the outside, protecting your hands and the surrounding cabinetry. Getting large dishes in and out of the oven is a breeze with full telescopic sliding shelves that stay perfectly steady - even when pulled all the way out.

Complementary design

With their premium handle styling and stainless steel finish, our built-in ovens are designed to match the rest of Fisher & Paykel's kitchen appliance family.

Cooking flexibility

This built-in oven has nine functions with pre-set temperatures, including Bake, Classic Bake and Aero™ Broil allowing you to use a variety of cooking styles.

SPECIFICATIONS

Accessories

2pc broil system (pan + rack)	•
3-piece anti-splatter grill	•
Contemporary round handle kit	Part number 81672
Full Extension Telescopic	2 Sets (Additional sets)
Meat probe	•

Capacity

Shelf positions	8
Total	4.1

Cleaning

Acid resistant graphite enamel	•
Pyrolytic self-clean	•

- Removable oven door •
- Removable shelf runners •

Controls

- Audio feedback •
- Automatic cooking/minute •
- Automatic pre-set •
- Automatic rapid pre-heat •
- Celsius/Fahrenheit •
- Dial with illuminated halo •
- Electronic capacitive touch •
- Electronic clock •
- Interior light **3 x 20W (halogen)**
- Precise electronic temperature •
- Sabbath mode •

Functions

- Aero Broil •
- Aero™ Bake •
- Bake •
- Broil •
- Classic bake •
- Grill **4400W**
- Maxi Broil •
- Number of functions **9**
- Pyrolytic self-clean •
- Warm •

Oven features

- Pyrolytic self-clean •

Performance

- Automatic rapid pre-heat •
- Broil power **4400W**
- CoolTouch door •
- Grill **4400W**

Power requirements

- Amperage **16.7 - 19.4A**
- Supply frequency **60Hz**
- Supply voltage **120 - 240V**

Product dimensions

- Depth **23 ²⁹/₃₂ "**
- Height **27 ¹/₁₆ "**
- Width **29 ²⁹/₃₂ "**

Safety

- Advanced cooling system •
- Balanced oven door •
- Catalytic venting system •
- Control panel key lock •
- CoolTouch door •
- Door and cavity cooling •
- Non-tip shelves •

Warranty

- Parts and labor **2 years**

SKU

81512

The product dimensions and specifications in this page apply to the specific product and model. Under our policy of continuous improvement, these dimensions and specifications may change at any time. You should therefore check with Fisher & Paykel's Customer Care Centre to ensure this page correctly describes the model currently available. © Fisher & Paykel Appliances Ltd 2019.

Other product downloads available at fisherpaykel.com



Quick Start Guide



User Guide



Service & Warranty Booklet



Installation Guide



Resources (zip)



A PEACE OF MIND SALE

24 Hours 7 Days a Week Customer Support

T 1300 650 590 **W** www.fisherpaykel.com