

# Traditional Microwave, 24"

Series 5 | Contemporary

Stainless Steel with Black Glass

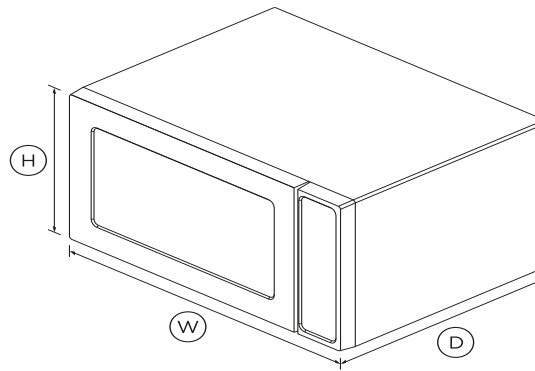


Heat or reheat entire dishes at once, fast, thanks to 1200 watts of power with multiple cook functions.

- Five cooking modes including Defrost, Warm and Reheat
- 2 cubic feet total capacity
- Use the 30" Microwave trim kit to integrate this microwave with your cabinetry

## DIMENSIONS

Height	13 <sup>3</sup> / <sub>8</sub> "
Width	24 "
Depth	19 <sup>1</sup> / <sub>8</sub> "



The product dimensions and specifications in this page apply to the specific product and model. Under our policy of continuous improvement, these dimensions and specifications may change at any time. You should therefore check with Fisher & Paykel's Customer Care Centre to ensure this page correctly describes the model currently available. Â© Fisher & Paykel Appliances Ltd 2019.

## SPECIFICATIONS

### Product dimensions

Depth	19 <sup>1</sup> / <sub>8</sub> "
Height	13 <sup>3</sup> / <sub>8</sub> "
Width	24 "

SKU 70996

---

**Other product downloads available at [fisherpaykel.com](http://fisherpaykel.com)**



User Guide



Service & Warranty Booklet



Installation Guide



Resources (zip)



**A PEACE OF MIND SALE**

**24 Hours 7 Days a Week Customer Support**

**T** 1300 650 590 **W** [www.fisherpaykel.com](http://www.fisherpaykel.com)