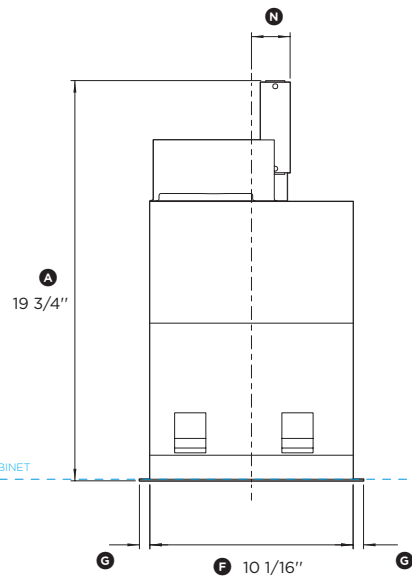
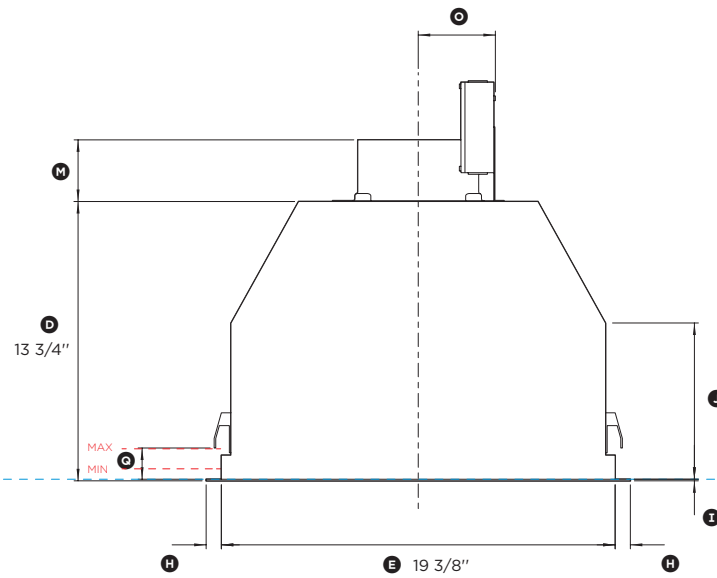


PLAN VIEW



FRONT VIEW



PROFILE VIEW

Model no:

HP24ILTX1

(refer page 3 for metric measurements)

Product Dimensions	in
Ⓐ Overall height of range hood	19 3/4"
Ⓑ Overall width of range hood	20 7/8"
Ⓒ Overall depth of range hood	11"
Ⓓ Height of range hood chassis	13 3/4"
Ⓔ Width of range hood chassis	19 3/8"
Ⓕ Depth of range hood chassis	10 1/16"
Ⓖ Depth of flange	1/2"
Ⓗ Width of flange	3/4"
Ⓘ Thickness of flange	1/16"
Ⓚ Height of side of chassis	7 11/16"
Ⓛ Width of top of chassis	11 3/4"
Ⓜ Distance from ducting outlet center to rear of chassis	3 1/8"
Ⓝ Height of ducting adaptor	3"
Ⓞ Distance from hood centerline to front of power connection box	1 7/8"
Ⓟ Distance from hood centerline to side of power connection box	3 13/16"
Ⓠ Diameter of ducting outlet	6"
Ⓡ Height adjustability of clip that secures range hood (cabinet base panel thickness)	min 9/16" - max 1 9/16"

Cutout Dimensions	in
Overall width of cutout*	19 11/16"
Overall depth of cutout*	10 1/4"

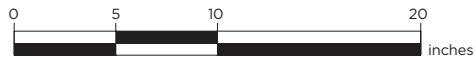
* Note cutout position is centered to the range hood width and depth.

Clearance Dimensions	in
Height from top of cooktop to base of product	26" - 30"

INDICATES CUTOUT -----
 INDICATES CABINETRY / PRODUCT DATUM -----
 INDICATES CABINETRY CLEARANCES -----

DATE: 02.09.2016

IMPORTANT NOTE: Throughout this guide, dimensions may vary by ±2mm (1/16"). Please read the installation manual for detailed information on installing the product. For full installation instructions & specifications visit fisherpaykel.com



Model no:

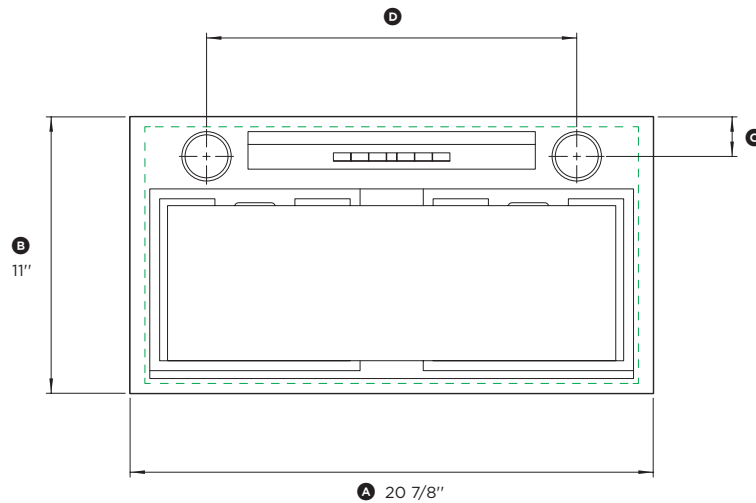
HP24ILTX1

(refer page 4 for metric measurements)

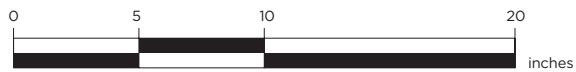
Product Dimensions	in
Ⓐ Overall width of range hood	20 7/8"
Ⓑ Overall depth of range hood	11"
Ⓒ Distance from front of range hood to center of lights	1 9/16"
Ⓓ Distance between lights	14 3/4"

Cutout Dimensions	in
Overall width of cutout*	19 11/16"
Overall depth of cutout*	10 1/4"

* Note cutout position is centered to the range hood width and depth.



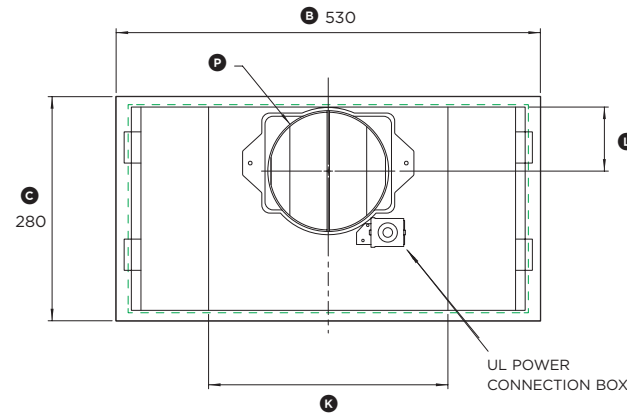
BOTTOM VIEW



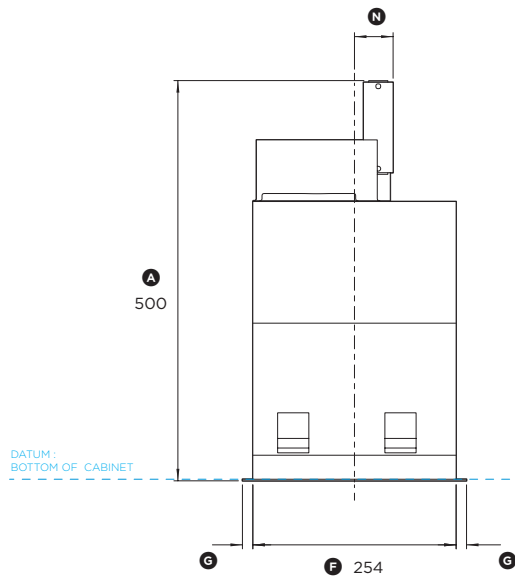
INDICATES CUTOUT -----

DATE: **02.09.2016**

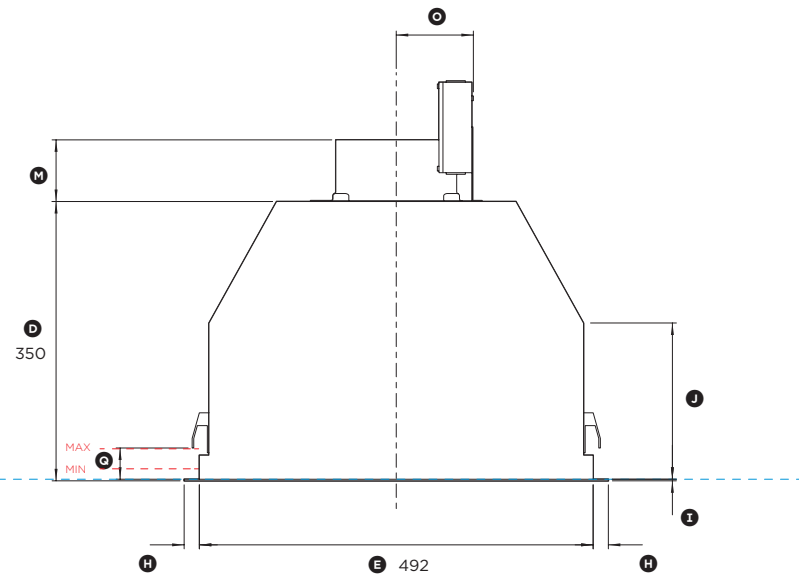
IMPORTANT NOTE: Throughout this guide, dimensions may vary by ±2mm (1/16"). Please read the installation manual for detailed information on installing the product. For full installation instructions & specifications visit fisherpaykel.com



PLAN VIEW



FRONT VIEW



PROFILE VIEW

Model no:

HP24ILTX1

(refer page 1 for imperial measurements)

Product Dimensions	mm
Ⓐ Overall height of range hood	480
Ⓑ Overall width of range hood	530
Ⓒ Overall depth of range hood	280
Ⓓ Height of range hood chassis	350
Ⓔ Width of range hood chassis	492
Ⓕ Depth of range hood chassis	255
Ⓖ Depth of flange	13
Ⓗ Width of flange	19
Ⓘ Thickness of flange	2
Ⓚ Height of side of chassis	195
Ⓛ Width of top of chassis	298
Ⓜ Distance from ducting outlet centre to rear of chassis	80
Ⓝ Height of ducting adaptor	77
Ⓞ Distance from hood centreline to front of power connection box	48
Ⓟ Distance from hood centreline to side of power connection box	96
Ⓠ Diameter of ducting outlet	152
Ⓡ Height adjustability of clip that secures range hood (cabinet base panel thickness)	min 15 - max 40

Cutout Dimensions	mm
Overall width of cutout*	500
Overall depth of cutout*	260

* Note cutout position is centred to the range hood width and depth.

Clearance Dimensions	mm
Height from top of cooktop to base of product	660 - 762

INDICATES CUTOUT -----
 INDICATES CABINETRY / PRODUCT DATUM -----
 INDICATES CABINETRY CLEARANCES -----

DATE: 02.09.2016

IMPORTANT NOTE: Throughout this guide, dimensions may vary by ±2mm (1/16"). Please read the installation manual for detailed information on installing the product. For full installation instructions & specifications visit fisherpaykel.com



Model no:

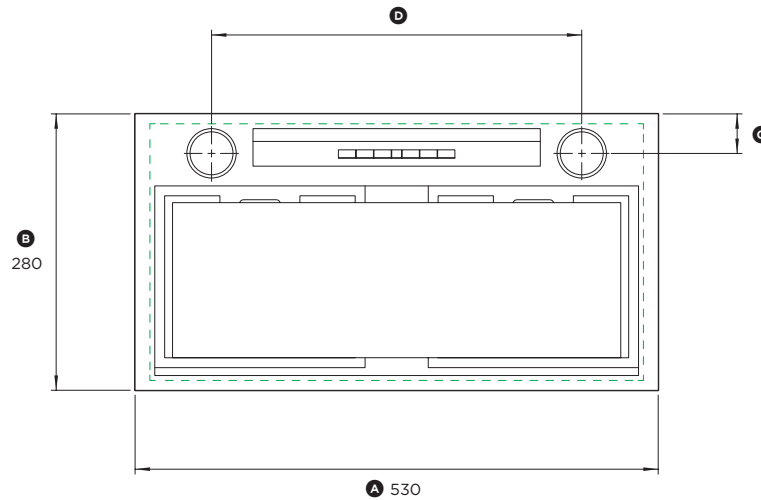
HP24ILTX1

(refer page 2 for imperial measurements)

Product Dimensions	mm
Ⓐ Overall width of range hood	530
Ⓑ Overall depth of range hood	280
Ⓒ Distance from front of range hood to centre of lights	40
Ⓓ Distance between lights	375

Cutout Dimensions	mm
Overall width of cutout*	500
Overall depth of cutout*	260

* Note cutout position is centred to the range hood width and depth.



BOTTOM VIEW



INDICATES CUTOUT -----

DATE: **02.09.2016**

IMPORTANT NOTE: Throughout this guide, dimensions may vary by $\pm 2\text{mm}$ (1/16"). Please read the installation manual for detailed information on installing the product. For full installation instructions & specifications visit fisherpaykel.com