

FISHER & PAYKEL

DATA SHEET 30" Classic Freestanding Range Dual Fuel

Model no:

OR30SCG6X1, OR30SCG6B1, OR30SCG6W1, OR30SCG6R1

(refer page 4 for metric measurements)

Product Dimensions	in
Ⓐ Overall height of range (from floor to cooktop, excluding pan supports)	min 35 3/4" max 37 5/8"
Ⓑ Overall width of range	29 7/8"
Ⓒ Overall depth of range including handle and dials	27 1/4"
Ⓓ Depth from front of range to rear (excl. handle and dials)	25 1/4"
Ⓔ Depth from rear of chassis to front of side panel	24 15/16"
Ⓕ Height from top of cooktop to top of pan supports	1 1/4"
Ⓖ Height from top of cooktop to top of optional backguard	3"
Ⓗ Height of cooktop front face (excl. chamfer)	1 1/4"
Ⓜ Depth of rear trim / optional backguard	2"
Ⓢ Height from countertop to bottom of chassis	31 13/16"
Ⓤ Height from countertop to bottom of control panel	5 3/4"
Ⓦ Height from top of door to bottom of chassis	25 1/4"
Ⓧ Height from top of warmer drawer to bottom of chassis	5 15/16"
Ⓨ Height from handle to bottom of chassis	22 7/16"
Ⓩ Thickness of handle rail (not including standoffs)	13/16"
ⓐ Width of handle (including standoffs)	29 11/16"
ⓑ Depth of handle (measured from front of door)	2 1/8"
ⓓ Depth of open door to front of side panel	16 7/16"
ⓓ Adjustable feet height	min 3 5/8" max 5 1/2"
Ⓣ Toekick depth - with optional toe kick panel - without toe kick panel	2 1/16" 2 3/16"
Ⓥ Width of optional toe kick panel	29 13/16"

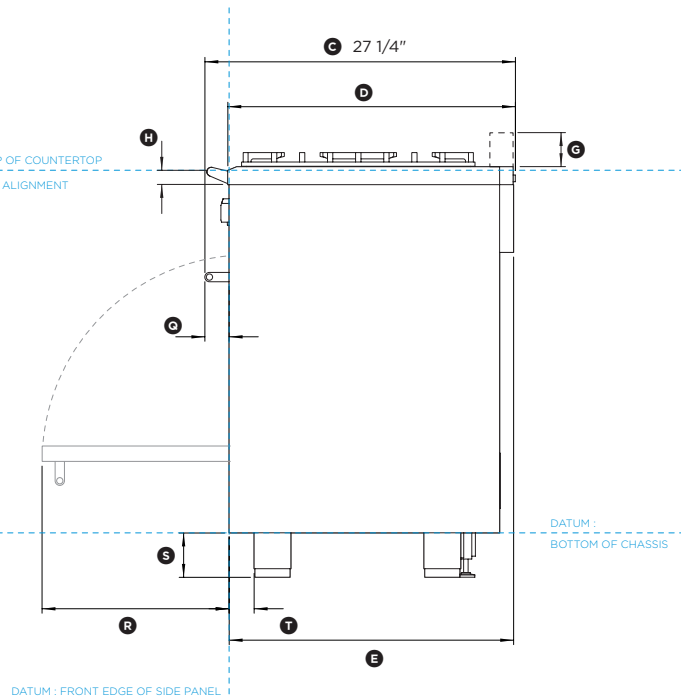
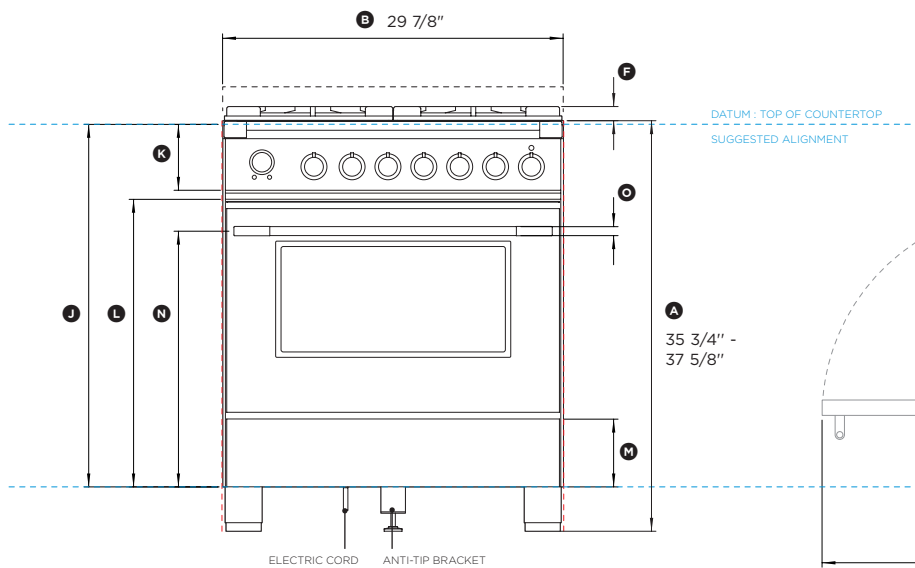
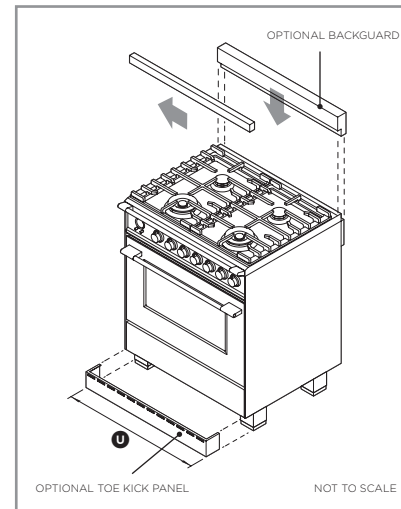
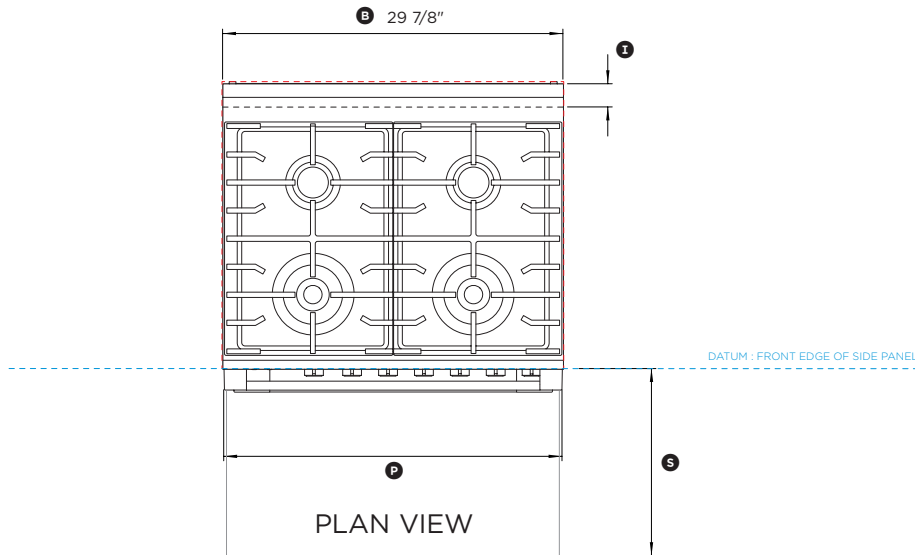
Cavity Dimensions	in
Overall width of cavity	min 30"
Overall depth of cavity	25 1/4"
Overall height of cavity	min 35 3/4" max 37 5/8"

IMPORTANT NOTE: For full installation and clearance details please refer to our installation manual.

INDICATES CAVITY CLEARANCES -----
INDICATES PRODUCT DATUM - - - - -

DATE: 12.03.2019

IMPORTANT NOTE: Throughout this guide, dimensions may vary by ±2mm (1/16"). Please read the installation manual for detailed information on installing the product. For full installation instructions & specifications visit fisherpaykel.com



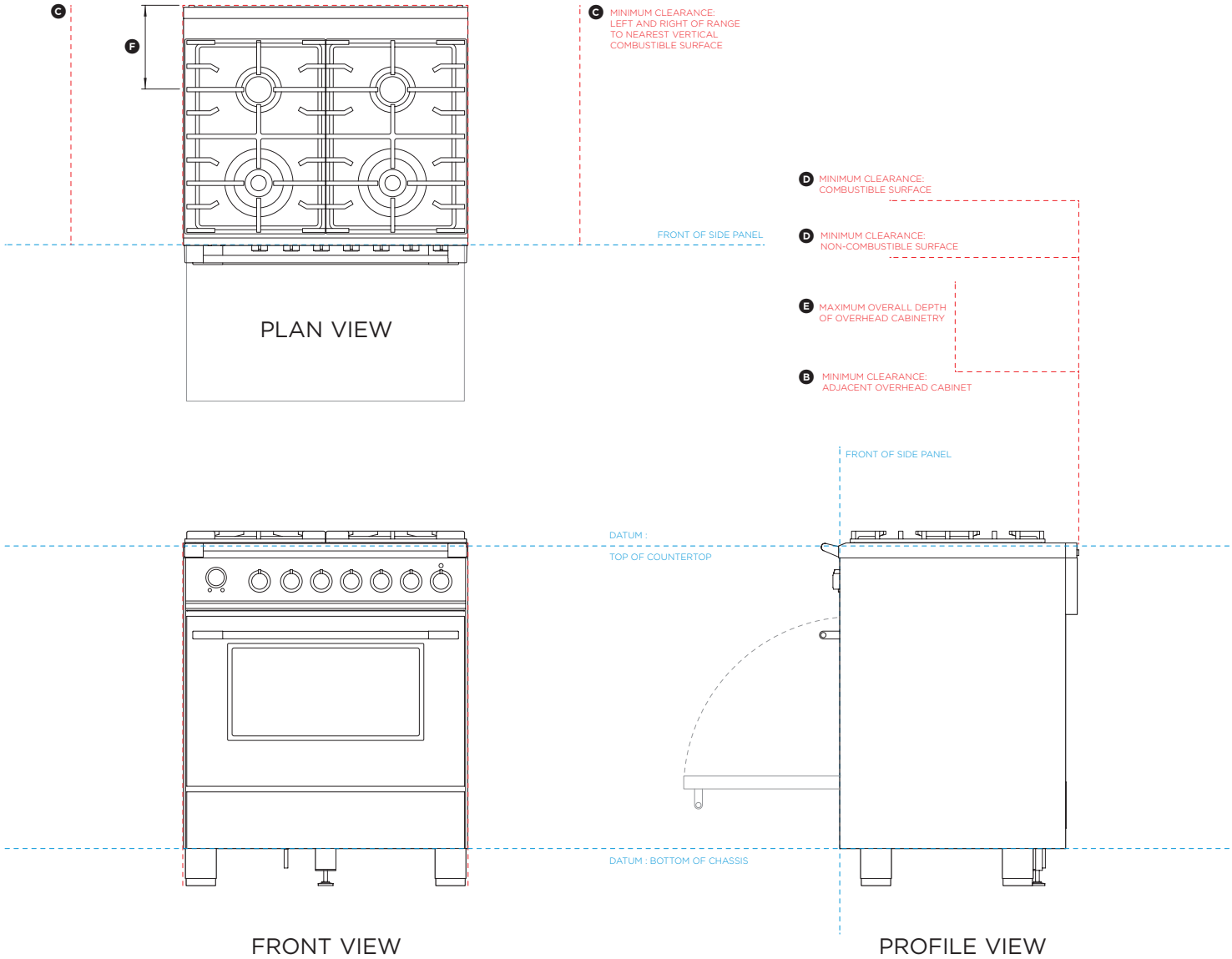
FISHER & PAYKEL

DATA SHEET 30" Classic Freestanding Range Dual Fuel

Model no:
OR30SCG6X1, OR30SCG6B1, OR30SCG6W1, OR30SCG6R1
(refer page 5 for metric measurements)

Clearance Dimensions	in
Ⓐ Minimum width of ventilation hood installed above range - not shown*	30"
Ⓑ Minimum vertical distance between countertop and cabinet extending above counter	18"
Ⓒ Minimum clearance from left and right of range to nearest vertical combustible surface	11 13/16"
Ⓓ Minimum clearance from cooking surface to: - overhead cabinet centered above the cooktop (combustible / unprotected) - overhead cabinet centered above the cooktop (non-combustible / protected) - ventilation hood centered above the cooktop	36" 30" 30"
Ⓔ Maximum overall depth of overhead cabinetry	13"
Ⓕ Distance from center of rear burner to rear of product	8 7/8"

*IMPORTANT NOTE: For full installation and clearance details please refer to our installation manual.



DATE: **12.03.2019**

IMPORTANT NOTE: Throughout this guide, dimensions may vary by ±2mm (1/16"). Please read the installation manual for detailed information on installing the product. For full installation instructions & specifications visit fisherpaykel.com

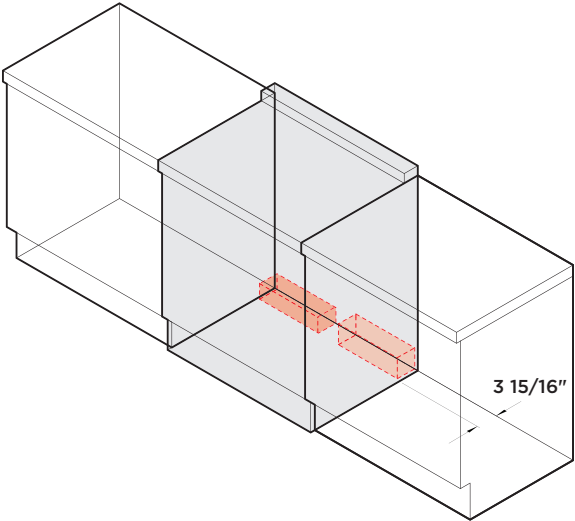
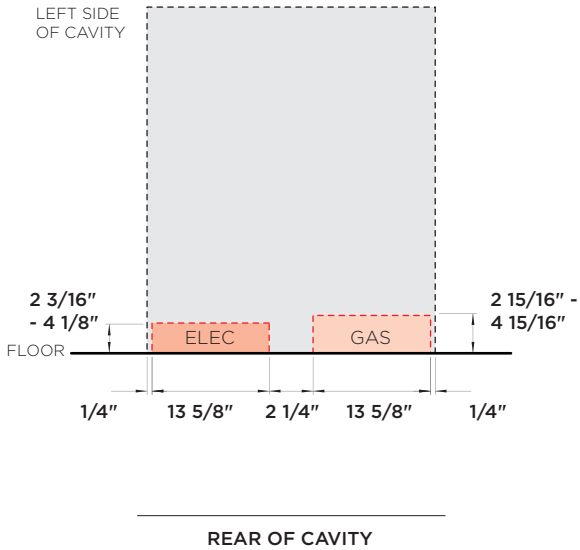
FISHER & PAYKEL

DATA SHEET 30" Classic Freestanding Range Dual Fuel

Model no:
OR30SCG6X1, OR30SCG6B1, OR30SCG6W1, OR30SCG6R1
(refer page 6 for metric measurements)

Specifications	
Oven Total Capacity	3.5 cu.ft
Electrical	
Supply	120 VAC, 60Hz
Service	30 amp circuit
Receptacle	4-prong grounding type [NEMA 14-50P plug]
Gas	
Type	Natural Gas 4" W.C.P. / LP Propane 11" W.C.P.
Connection	1/2" NPT Minimum 5/8" dia. flex line
Weight	240lbs

*IMPORTANT NOTE: For full installation and clearance details please refer to our installation manual.



DATE: 12.03.2019

IMPORTANT NOTE: Throughout this guide, dimensions may vary by ±2mm (1/16"). Please read the installation manual for detailed information on installing the product. For full installation instructions & specifications visit fisherpaykel.com

FISHER & PAYKEL

DATA SHEET 30" Classic Freestanding Range Dual Fuel

Model no:

OR30SCG6X1, OR30SCG6B1, OR30SCG6W1, OR30SCG6R1

(refer page 1 for metric measurements)

Product Dimensions	mm
Ⓐ Overall height of range (from floor to cooktop, excluding pan supports)	min 908 max 956
Ⓑ Overall width of range	759
Ⓒ Overall depth of range including handle and dials	693
Ⓓ Depth from front of range to rear (excl. handle and dials)	641
Ⓔ Depth from rear of chassis to front of side panel	638
Ⓕ Height from top of cooktop to top of pan supports	32
Ⓖ Height from top of cooktop to top of optional backguard	76
Ⓗ Height of cooktop front face (excl. chamfer)	32
Ⓜ Depth of rear trim / optional backguard	51
Ⓝ Height from countertop to bottom of chassis	808
Ⓢ Height from countertop to bottom of control panel	147
Ⓣ Height from top of door to bottom of chassis	641
Ⓤ Height from top of warmer drawer to bottom of chassis	151
Ⓦ Height from handle to bottom of chassis	570
Ⓩ Thickness of handle rail (not including standoffs)	20
Ⓟ Width of handle (including standoffs)	754
Ⓛ Depth of handle (measured from front of door)	54
Ⓡ Depth of open door to front of side panel	417
Ⓣ Adjustable feet height	min 92 max 140
Ⓣ Toekick depth - with optional toe kick panel - without toe kick panel	52 56
Ⓤ Width of optional toe kick panel	757

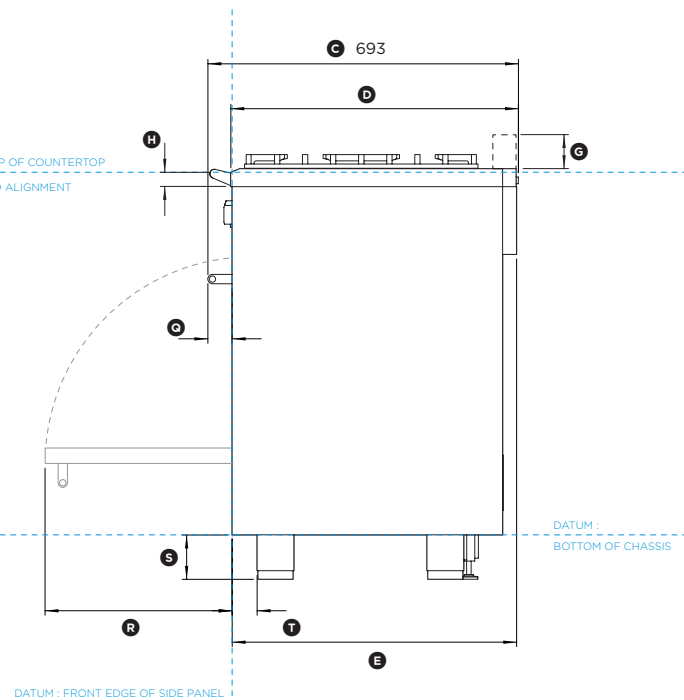
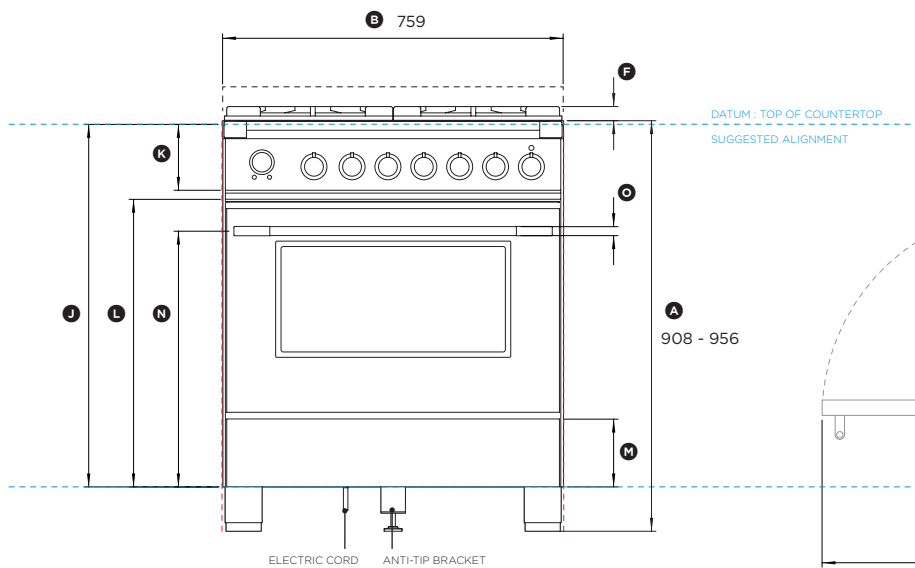
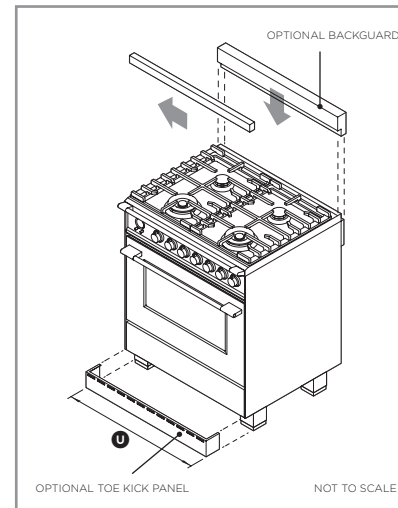
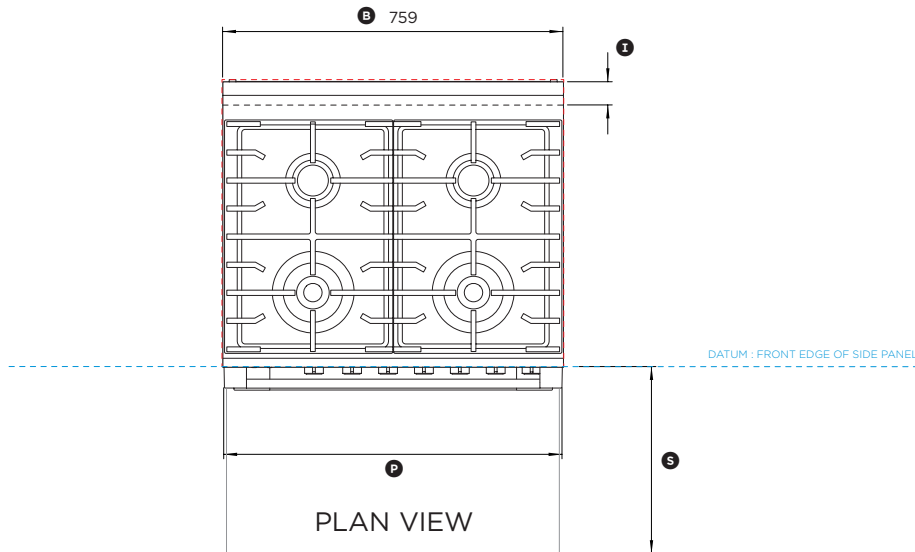
Cavity Dimensions	mm
Overall width of cavity	min 762
Overall depth of cavity	641
Overall height of cavity	min 908 max 956

IMPORTANT NOTE: For full installation and clearance details please refer to our installation manual.

INDICATES CAVITY CLEARANCES -----
INDICATES PRODUCT DATUM - - - - -

DATE: 12.03.2019

IMPORTANT NOTE: Throughout this guide, dimensions may vary by ±2mm (1/16"). Please read the installation manual for detailed information on installing the product. For full installation instructions & specifications visit fisherpaykel.com



FISHER & PAYKEL

DATA SHEET 30" Classic Freestanding Range Dual Fuel

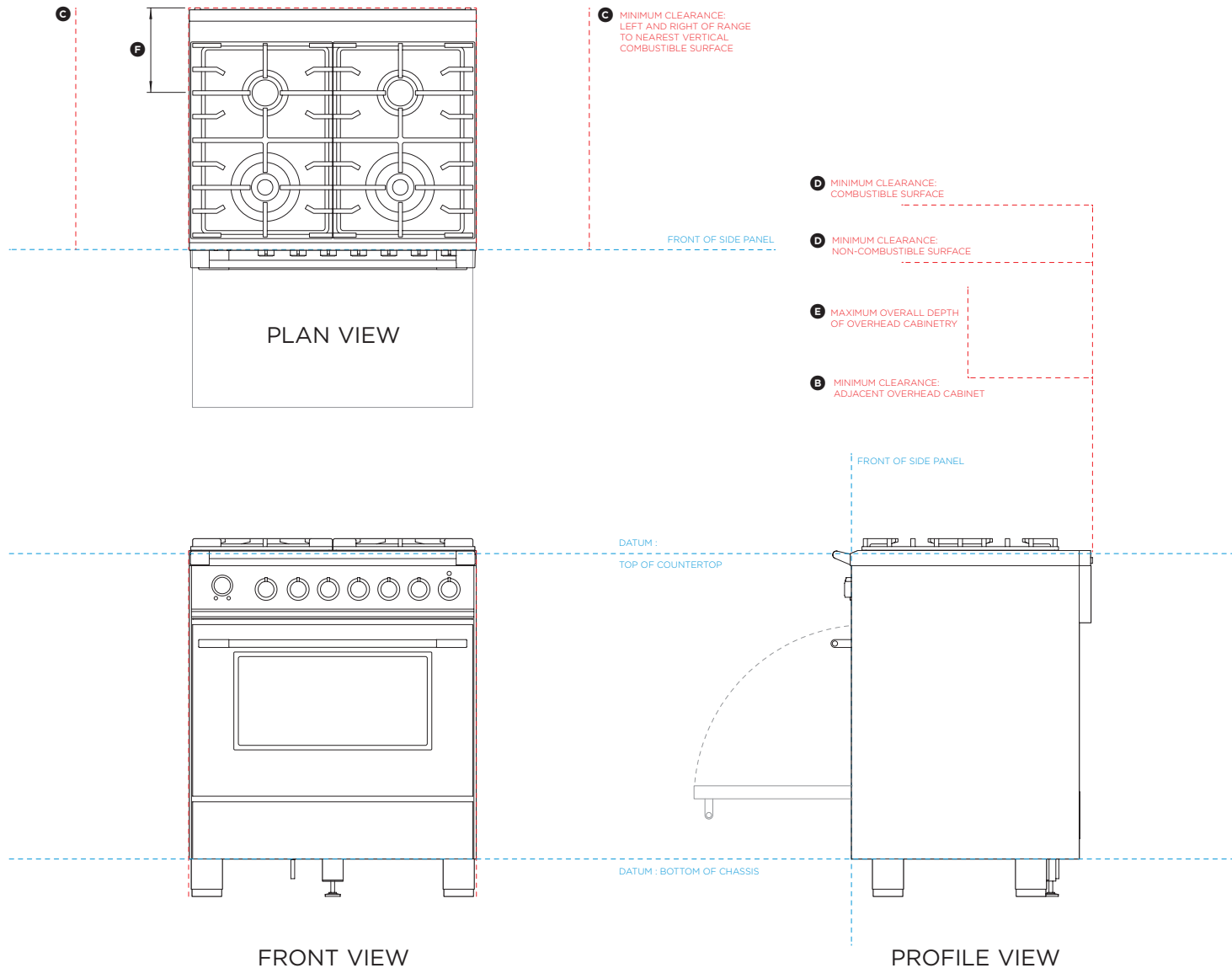
Model no:

OR30SCG6X1, OR30SCG6B1, OR30SCG6W1, OR30SCG6R1

(refer page 5 for metric measurements)

Clearance Dimensions	mm
Ⓐ Minimum width of ventilation hood installed above range - not shown*	762
Ⓑ Minimum vertical distance between countertop and cabinet extending above counter	457
Ⓒ Minimum clearance from left and right of range to nearest vertical combustible surface	330
Ⓓ Minimum clearance from cooking surface to: - overhead cabinet centred above the cooktop (combustible / unprotected) - overhead cabinet centred above the cooktop (non-combustible / protected) - ventilation hood centred above the cooktop	914 762 762
Ⓔ Maximum overall depth of overhead cabinetry	330
Ⓕ Distance from center of rear burner to rear of product	225

*IMPORTANT NOTE: For full installation and clearance details please refer to our installation manual.



INDICATES CLEARANCES -----
INDICATES PRODUCT DATUM - - - - -

DATE: **12.03.2019**

IMPORTANT NOTE: Throughout this guide, dimensions may vary by ±2mm (1/16"). Please read the installation manual for detailed information on installing the product. For full installation instructions & specifications visit fisherpaykel.com

0 100 200 400
millimetres

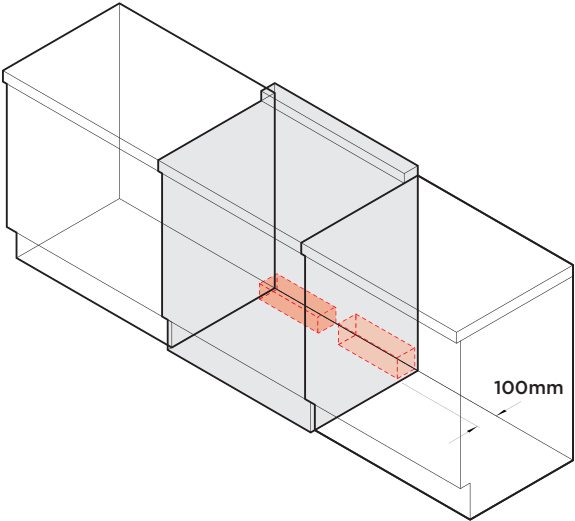
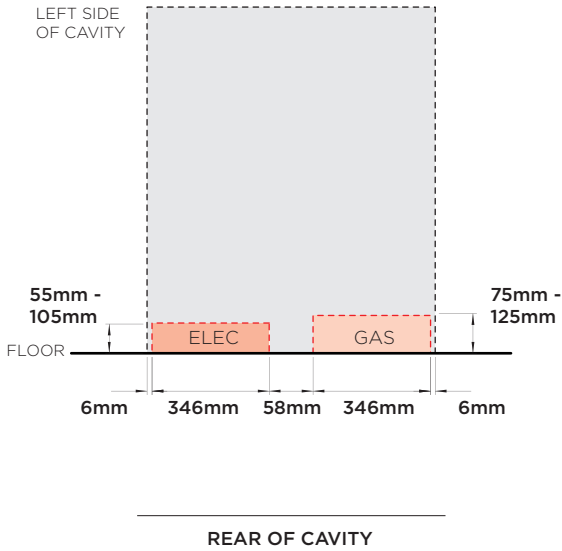
FISHER & PAYKEL

DATA SHEET 30" Classic Freestanding Range Dual Fuel

Model no:
OR30SCG6X1, OR30SCG6B1, OR30SCG6W1, OR30SCG6R1
(refer page 3 for imperial measurements)

Specifications	
Oven Total Capacity	100L
Electrical	
Supply	120 VAC, 60Hz
Service	30 amp circuit
Receptacle	4-prong grounding type [NEMA 14-50P plug]
Gas	
Type	Natural Gas 4" W.C.P. / LP Propane 11" W.C.P.
Connection	1/2" NPT Minimum 5/8" dia. flex line
Weight	109kgs

*IMPORTANT NOTE: For full installation and clearance details please refer to our installation manual.



DATE: 12.03.2019

IMPORTANT NOTE: Throughout this guide, dimensions may vary by ±2mm (1/16"). Please read the installation manual for detailed information on installing the product. For full installation instructions & specifications visit fisherpaykel.com