

# FISHER & PAYKEL

## DATA SHEET 30" Contemporary Freestanding Range Gas

Model no:

**OR30SDG4X1**

(refer page 4 for metric measurements)

### Product Dimensions

**in**

Ⓐ Overall height of range (from floor to cooktop, excluding pan supports)	min 35 3/4" max 37 5/8"
Ⓑ Overall width of range	29 7/8"
Ⓒ Overall depth of range including handle and dials	26 3/4"
Ⓓ Depth from front of range to rear (excl. handle and dials)	25 1/4"
Ⓔ Depth from rear of chassis to front of side panel	24 15/16"
Ⓕ Height from top of cooktop to top of pan supports	1 1/4"
Ⓖ Height from top of cooktop to top of optional backguard	3"
Ⓗ Height from top of cooktop to top of rear trim	7/8"
Ⓙ Height of cooktop front face (excl. chamfer)	1 1/4"
Ⓚ Depth of rear trim / optional backguard	2"
Ⓛ Height from countertop to bottom of chassis	31 13/16"
Ⓛ Height from countertop to bottom of control panel	5 3/4"
Ⓜ Height from top of door to bottom of chassis	25 1/4"
Ⓝ Height from top of warmer drawer to bottom of chassis	5 15/16"
Ⓞ Height from handle to bottom of chassis	22 7/16"
Ⓟ Thickness of handle rail (not including standoffs)	15/16"
Ⓠ Width of handle	27 15/16"
Ⓡ Depth of handle (measured from front of door)	1 5/8"
Ⓢ Depth of open door to front of side panel	16 7/16"
Ⓣ Adjustable feet height	min 3 5/8" max 5 1/2"
Ⓤ Toekick depth - with optional toe kick panel	2 1/16"
- without toe kick panel	2 3/16"
Ⓡ Width of optional toe kick panel	29 13/16"

### Cavity Dimensions

**in**

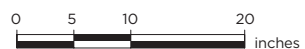
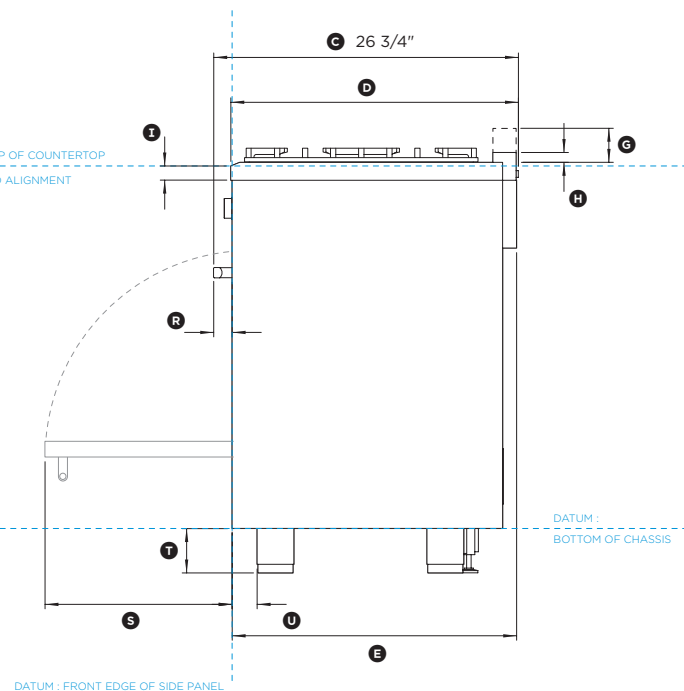
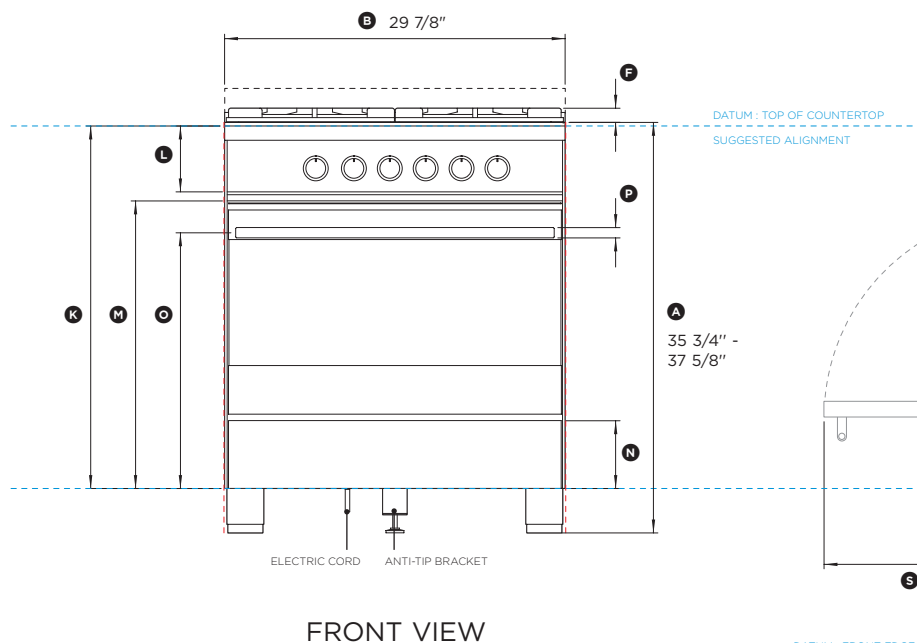
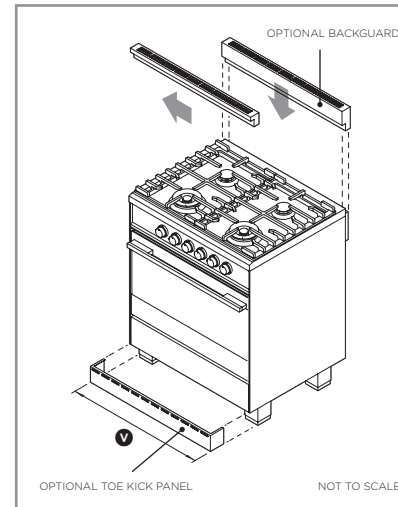
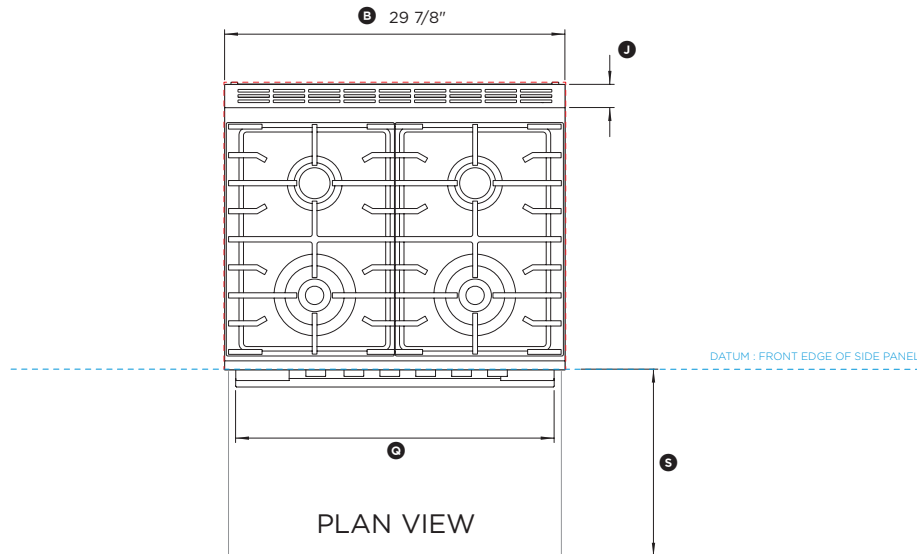
Overall width of cavity	min 30"
Overall depth of cavity	25 1/4"
Overall height of cavity	min 35 3/4" max 37 5/8"

IMPORTANT NOTE: For full installation and clearance details please refer to our installation manual.

INDICATES CAVITY CLEARANCES -----  
INDICATES PRODUCT DATUM - - - - -

DATE: 12.03.2019

IMPORTANT NOTE: Throughout this guide, dimensions may vary by ±2mm (1/16"). Please read the installation manual for detailed information on installing the product. For full installation instructions & specifications visit [fisherpaykel.com](http://fisherpaykel.com)



# FISHER & PAYKEL

## DATA SHEET 30" Contemporary Freestanding Range Gas

Model no:

**OR30SDG4X1**

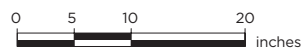
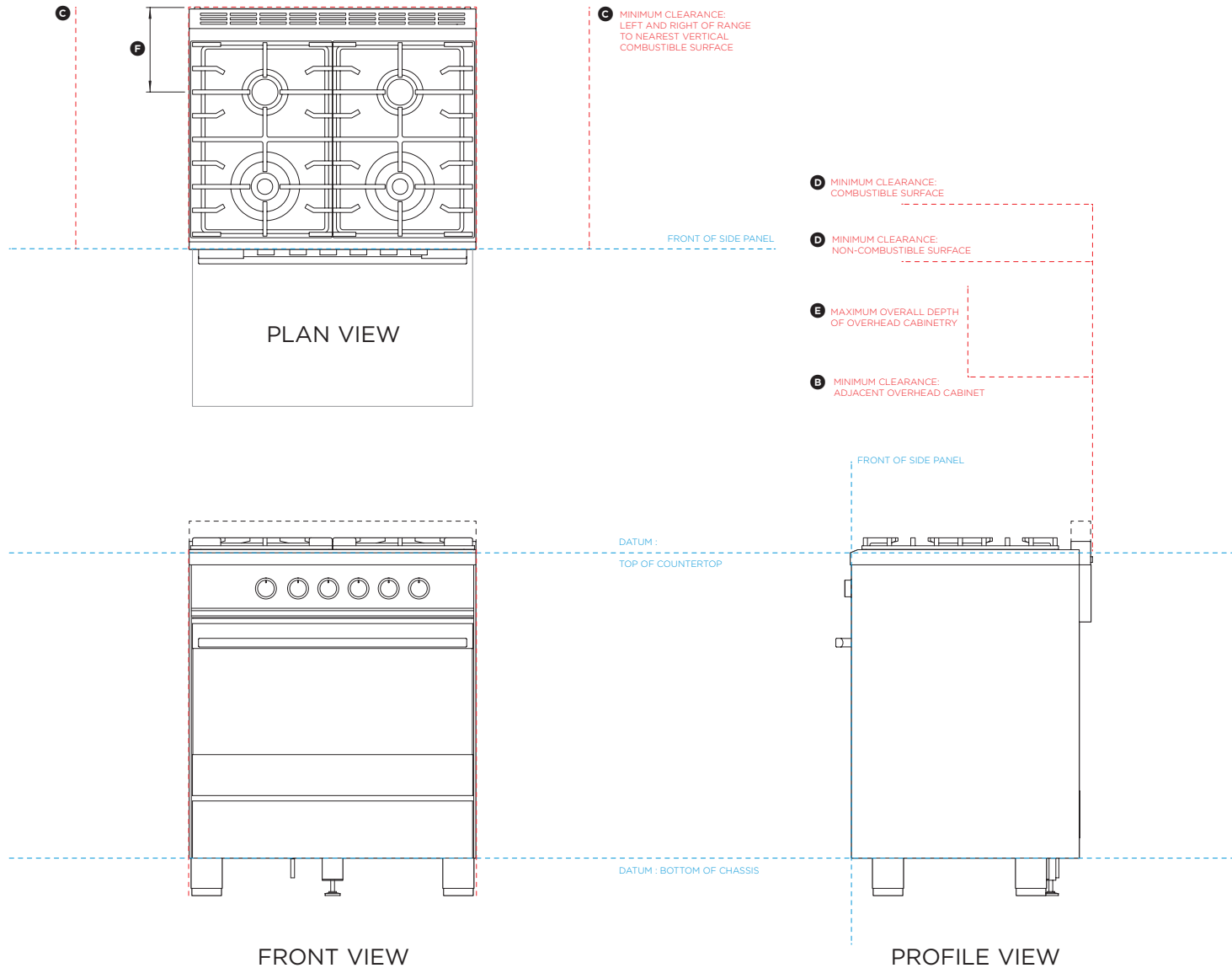
(refer page 5 for metric measurements)

### Clearance Dimensions

**in**

Ⓐ Minimum width of ventilation hood installed above range - not shown*	30"
Ⓑ Minimum vertical distance between countertop and cabinet extending above counter	18"
Ⓒ Minimum clearance from left and right of range to nearest vertical combustible surface	11 13/16"
Ⓓ Minimum clearance from cooking surface to: - overhead cabinet centered above the cooktop (combustible / unprotected) - overhead cabinet centered above the cooktop (non-combustible / protected) - ventilation hood centered above the cooktop	36" 30" 30"
Ⓔ Maximum overall depth of overhead cabinetry	13"
Ⓕ Distance from center of rear burner to rear of product	8 7/8"

\*IMPORTANT NOTE: For full installation and clearance details please refer to our installation manual.



DATE: **12.03.2019**

IMPORTANT NOTE: Throughout this guide, dimensions may vary by ±2mm (1/16"). Please read the installation manual for detailed information on installing the product. For full installation instructions & specifications visit [fisherpaykel.com](http://fisherpaykel.com)

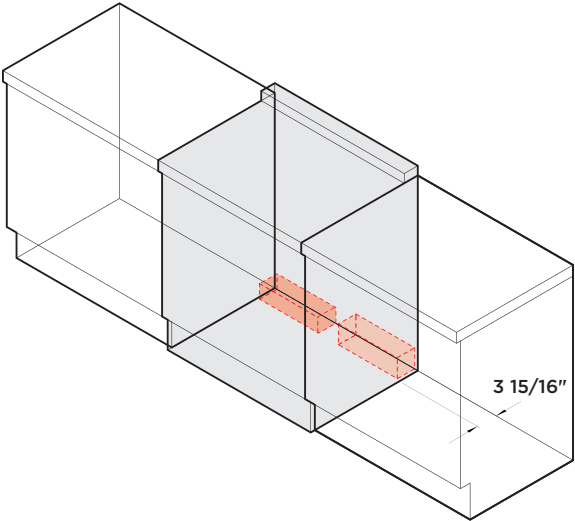
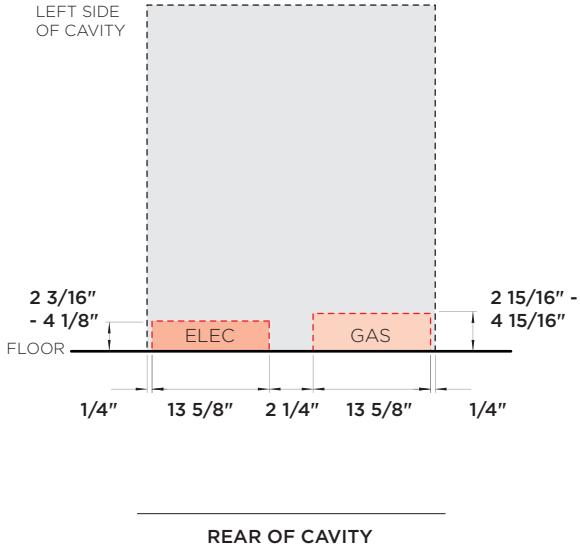
# FISHER & PAYKEL

## DATA SHEET 30" Contemporary Freestanding Range Gas

Model no:  
**OR30SDG4X1**  
(refer page 6 for metric measurements)

Specifications	
<b>Oven Total Capacity</b>	3.5 cu.ft
<b>Electrical</b>	
Supply	120 VAC, 60Hz
Service	15 amp circuit
Receptacle	3-prong grounding type [NEMA 5-15P plug]
<b>Gas</b>	
Type	Natural Gas 4" W.C.P. / LP Propane 11" W.C.P.
Connection	1/2" NPT Minimum 5/8" dia. flex line
<b>Weight</b>	240lbs

\*IMPORTANT NOTE: For full installation and clearance details please refer to our installation manual.



DATE: 12.03.2019

IMPORTANT NOTE: Throughout this guide, dimensions may vary by ±2mm (1/16"). Please read the installation manual for detailed information on installing the product. For full installation instructions & specifications visit [fisherpaykel.com](http://fisherpaykel.com)

# FISHER & PAYKEL

## DATA SHEET 30" Contemporary Freestanding Range Gas

Model no:

**OR30SDG4X1**

(refer page 1 for metric measurements)

### Product Dimensions

mm

Ⓐ Overall height of range (from floor to cooktop, excluding pan supports)	min 908 max 956
Ⓑ Overall width of range	759
Ⓒ Overall depth of range including handle and dials	679
Ⓓ Depth from front of range to rear (excl. handle and dials)	641
Ⓔ Depth from rear of chassis to front of side panel	638
Ⓕ Height from top of cooktop to top of pan supports	32
Ⓖ Height from top of cooktop to top of optional backguard	76
Ⓗ Height from top of cooktop to top of rear trim	22
Ⓙ Height of cooktop front face (excl. chamfer)	32
Ⓚ Depth of rear trim / optional backguard	51
Ⓛ Height from countertop to bottom of chassis	808
Ⓛ Height from countertop to bottom of control panel	147
Ⓜ Height from top of door to bottom of chassis	641
Ⓝ Height from top of warmer drawer to bottom of chassis	151
Ⓞ Height from handle to bottom of chassis	570
Ⓟ Thickness of handle rail	23
Ⓠ Width of handle (including standoffs)	710
Ⓡ Depth of handle (measured from front of door)	41
Ⓢ Depth of open door to front of side panel	417
Ⓣ Adjustable feet height	min 92 max 140
Ⓤ Toekick depth - with optional toe kick panel	52
- without toe kick panel	56
Ⓡ Width of optional toe kick panel	757

### Cavity Dimensions

mm

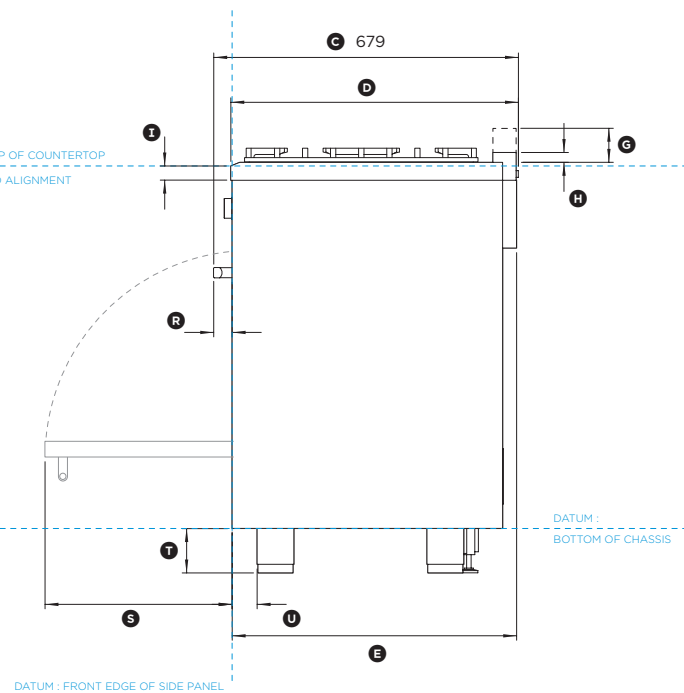
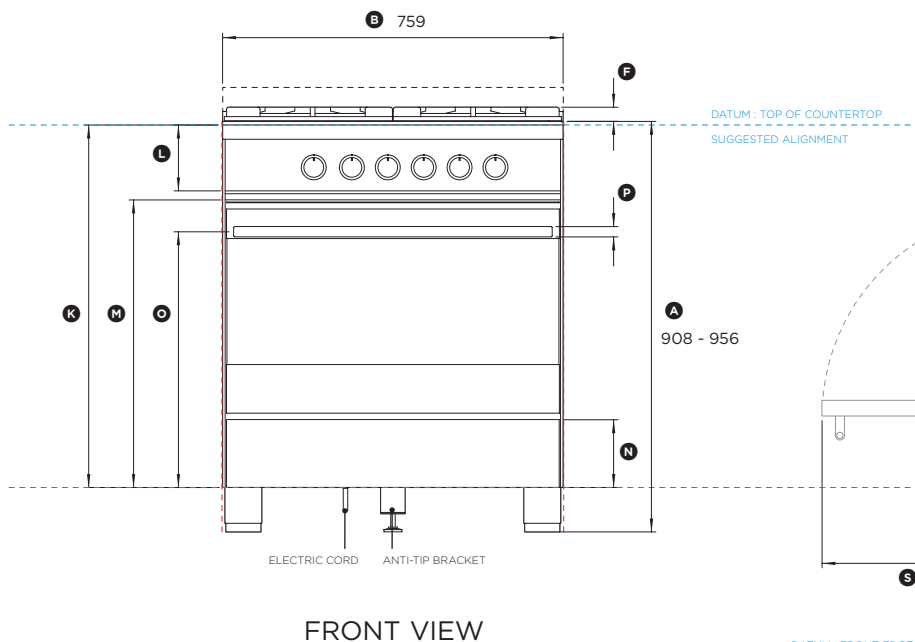
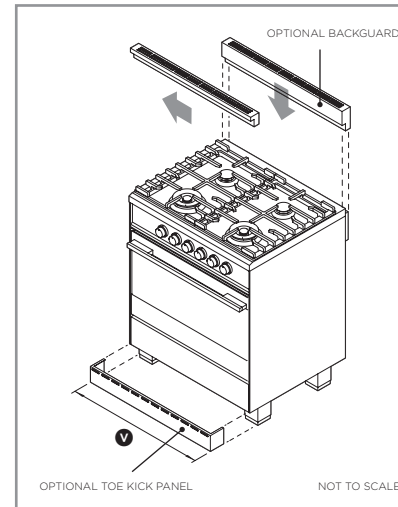
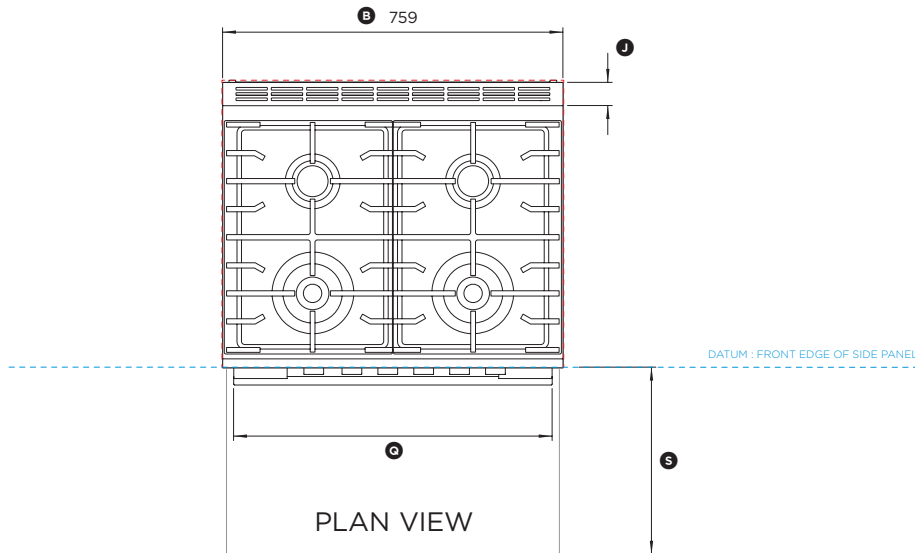
Overall width of cavity	min 762
Overall depth of cavity	641
Overall height of cavity	min 908 max 956

IMPORTANT NOTE: For full installation and clearance details please refer to our installation manual.

INDICATES CAVITY CLEARANCES -----  
INDICATES PRODUCT DATUM - - - - -

DATE: 12.03.2019

IMPORTANT NOTE: Throughout this guide, dimensions may vary by ±2mm (1/16"). Please read the installation manual for detailed information on installing the product. For full installation instructions & specifications visit [fisherpaykel.com](http://fisherpaykel.com)



# FISHER & PAYKEL

## DATA SHEET

### 30" Contemporary Freestanding Range Gas

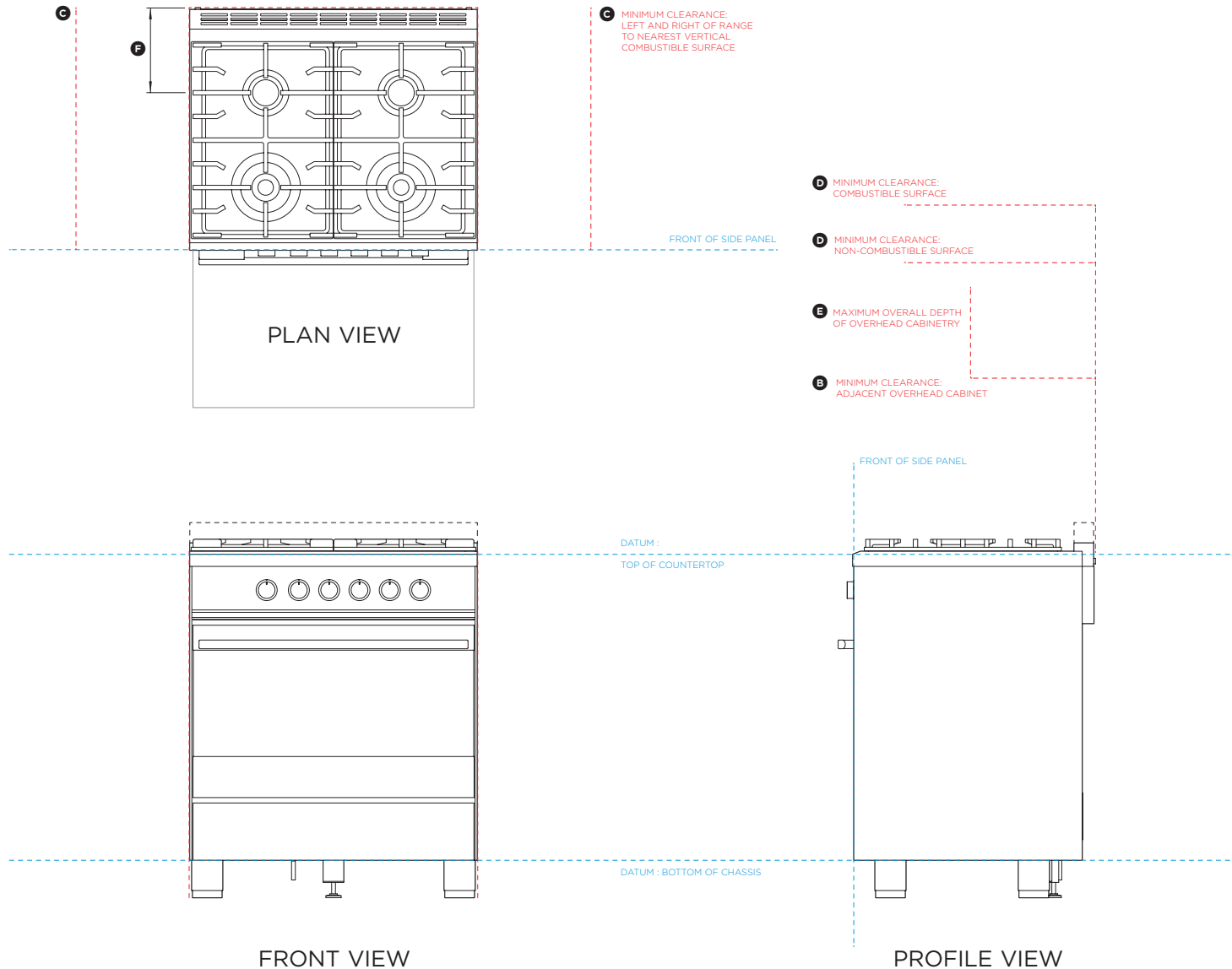
Model no:

**OR30SDG4X1**

(refer page 5 for metric measurements)

Clearance Dimensions	mm
Ⓐ Minimum width of ventilation hood installed above range - not shown*	762
Ⓑ Minimum vertical distance between countertop and cabinet extending above counter	457
Ⓒ Minimum clearance from left and right of range to nearest vertical combustible surface	330
Ⓓ Minimum clearance from cooking surface to: - overhead cabinet centred above the cooktop (combustible / unprotected) - overhead cabinet centred above the cooktop (non-combustible / protected) - ventilation hood centred above the cooktop	914 762 762
Ⓔ Maximum overall depth of overhead cabinetry	330
Ⓕ Distance from center of rear burner to rear of product	225

\*IMPORTANT NOTE: For full installation and clearance details please refer to our installation manual.



INDICATES CLEARANCES - - - - -

INDICATES PRODUCT DATUM - - - - -

DATE: 12.03.2019

IMPORTANT NOTE: Throughout this guide, dimensions may vary by  $\pm 2\text{mm}$  (1/16"). Please read the installation manual for detailed information on installing the product. For full installation instructions & specifications visit [fisherpaykel.com](http://fisherpaykel.com)



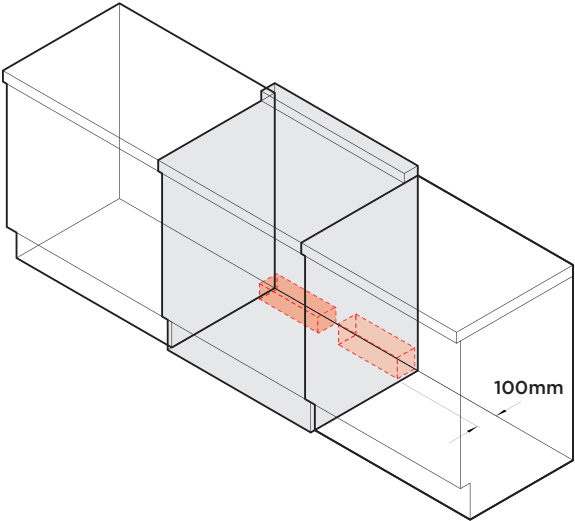
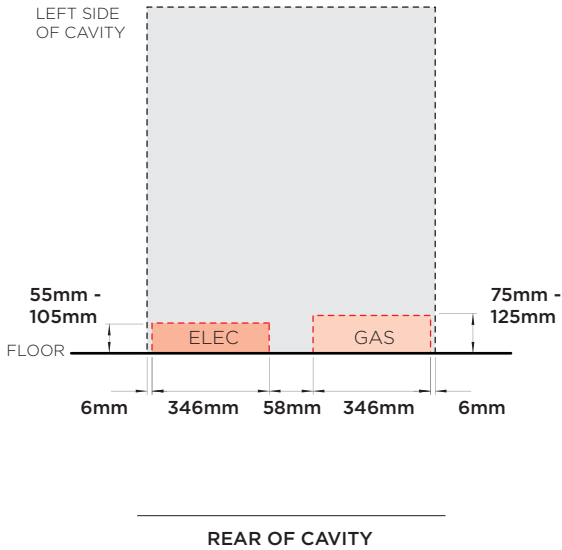
# FISHER & PAYKEL

## DATA SHEET 30" Contemporary Freestanding Range Gas

Model no:  
**OR30SDG4X1**  
(refer page 3 for imperial measurements)

Specifications	
<b>Oven Total Capacity</b>	100L
<b>Electrical</b>	
Supply	120 VAC, 60Hz
Service	15 amp circuit
Receptacle	3-prong grounding type [NEMA 5-15P plug]
<b>Gas</b>	
Type	Natural Gas 4" W.C.P. / LP Propane 11" W.C.P.
Connection	1/2" NPT Minimum 5/8" dia. flex line
<b>Weight</b>	109kgs

\*IMPORTANT NOTE: For full installation and clearance details please refer to our installation manual.



DATE: 12.03.2019

IMPORTANT NOTE: Throughout this guide, dimensions may vary by ±2mm (1/16"). Please read the installation manual for detailed information on installing the product. For full installation instructions & specifications visit [fisherpaykel.com](http://fisherpaykel.com)